

# EDCON-COMPONENTS



## Specifications

### Features

Plastic package has Underwriters Laboratory Flammability Classification 94V-0  
 This Serie is UL listed under Recognized Component Index file number E252843  
 High Surge current capability  
 High Temperature soldering guaranteed.

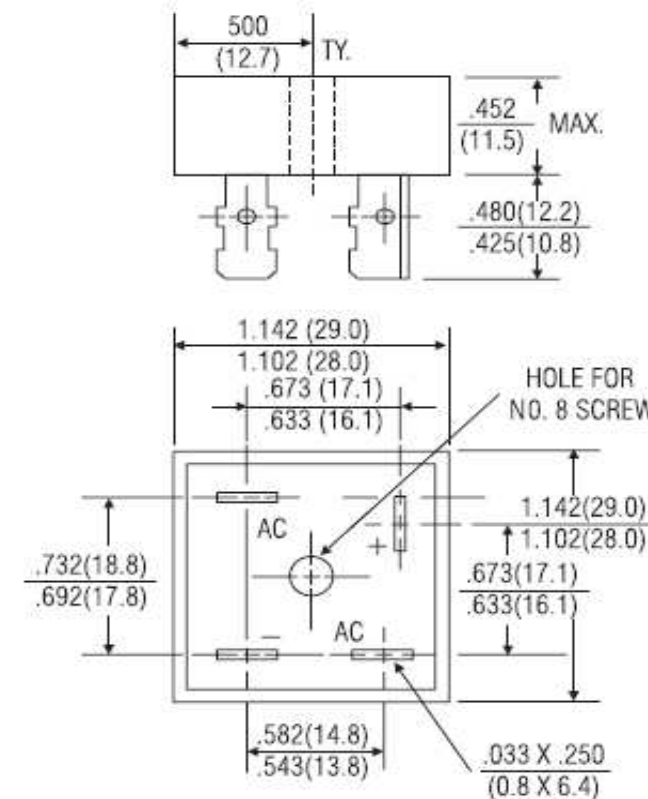
### Mechanical Data

Case: Molded plastic body  
 Terminals: plated leads solderable per MIL-STD-750, Method 2026  
 Polarity: Polarity symbols marked on body  
 Weight: 4gr.

### Maximum Ratings & Electrical Characteristics Ratings at 25°C ambient temperature

	Sym bols	KBPC35 005	KBPC35 01	KBPC35 02	KBPC35 04	KBPC35 06	KBPC35 08	KBPC35 10	Unit
Maximum reecurrent peak reverse Voltage	VRRM	50	100	200	400	600	800	1000	Volt
Maximum rms Input voltage	VRMS	35	70	140	280	420	560	700	Volt
Maximum dc blocking Voltage	VDC	50	100	200	400	600	800	1000	Volt
Maximum average forward output rectified TA=100°C	I(AV)	35,0							Amps
Peak forward surge current 8,3ms single half sine-wave	IFSM	400							Amps
Maximum forward voltage	VF	1,10							Volt
Maximum revese voltage TA=25°C	IR	10							µA
Maximum revese voltage TA=125°C	IR	500							µA
Operating and storage temperature range	TJ TSTG	-55°C to + 150°C							°C

## Technical Drawing (Unit: inch(mm))



**QUAD Bridge Rectifier 35A**

EDCON-Ser. **E17004**

International Serie: **KBPC35xx**

DRW:	Jason	CHKD	Wilson	MATL:	Wilson	TOLERANCE	Mason	DATE	10.05.2010
APPD:	Schumi			FINISH	Jamy		Sheet No.		1 from 4

[www.edcon-components.com](http://www.edcon-components.com)

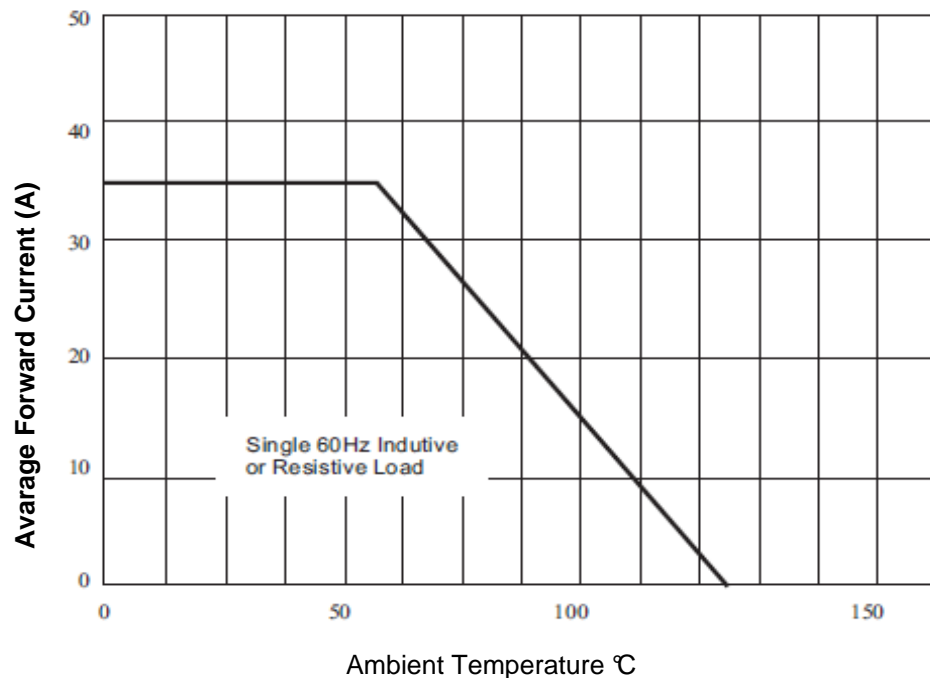
email: [info@edcon-components.com](mailto:info@edcon-components.com)

# EDCON-COMPONENTS

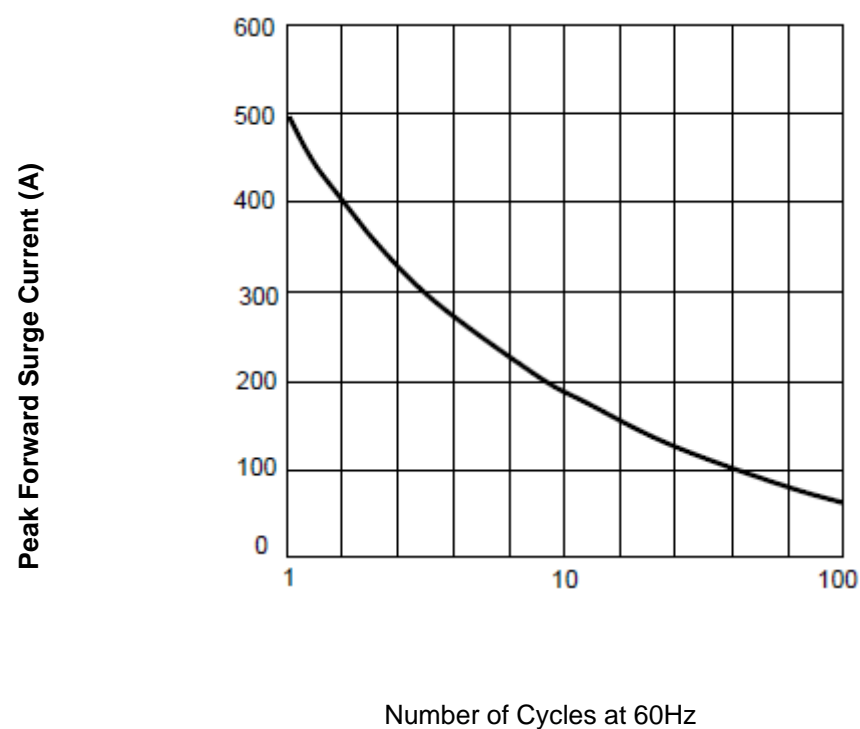


Rating & Characteristics Curves (TA=25°C unless otherwise noted)

Derating Curve for Output Rectified Current



Maximum NON Repetitive Forward Surge Current



**QUAD Bridge Rectifier 35A**

EDCON-Ser. **E17004**

International Serie: **KBPC35xx**

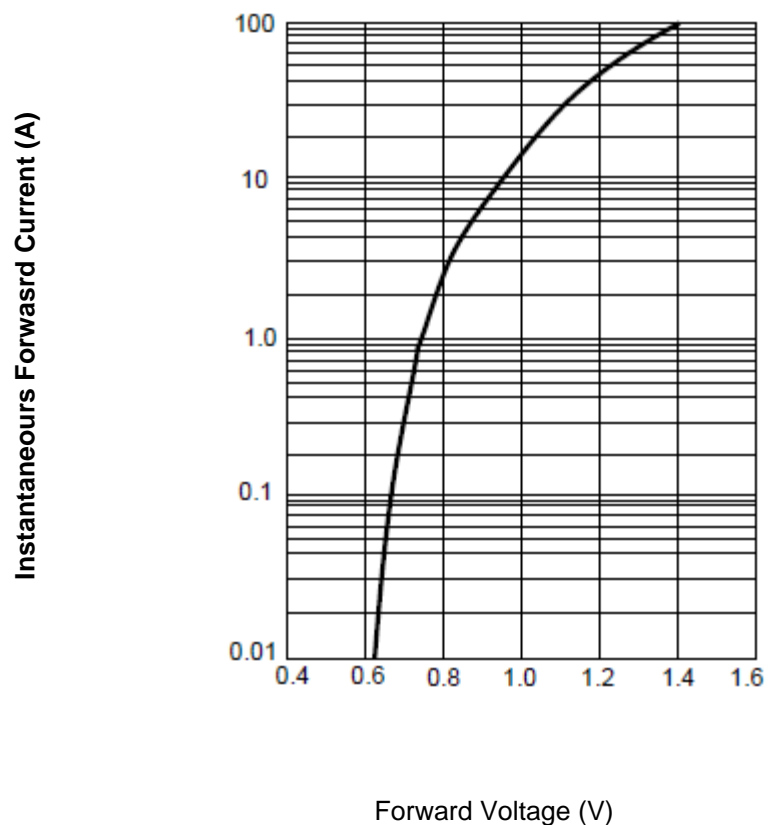
DRW:	Jason	CHKD	Wilson	MATL:	Wilson	TOLERANCE	Mason	DATE	10.05.2010
APPD:	Schumi			FINISH	Jamy		Sheet No.	2 from 4	

# EDCON-COMPONENTS

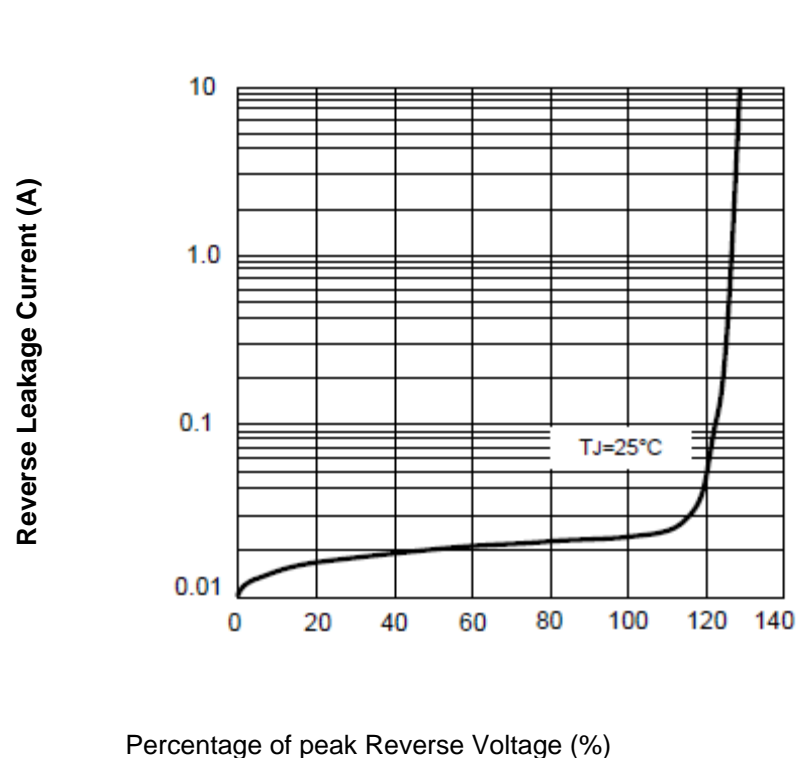


Rating & Characteristics Curves (TA=25°C unless otherwise noted)

Typical Forward Characteristics



Typical Reverse Characteristics



**QUAD Bridge Rectifier 35A**

EDCON-Ser. **E17004**

International Serie: **KBPC35xx**

DRW:	Jason	CHKD	Wilson	MATL:	Wilson	TOLERANCE	Mason	DATE	10.05.2010
APPD:	Schumi			FINISH	Jamy		Sheet No.	3 from 4	

# EDCON-COMPONENTS



Rating & Characteristics Curves (TA=25°C unless otherwise noted)

## Ordering Informations

EDCON Serie	International Type	NO function	ROHS	Package					
<b>E17004</b>	<b>KBPC35xx</b>	<b>xx</b>	<b>R</b>	<b>BX</b>					

Look Voltage Code Table		R= ROHS Conform	BX= Box
		N= NON ROHS Conform	

<b>QUAD Bridge Rectifier 35A</b>	
EDCON-Ser.	<b>E17004</b>
International Serie:	<b>KBPC35xx</b>

DRW:	Jason	CHKD	Wilson	MATL:	Wilson	TOLERANCE	Mason	DATE	10.05.2010
APPD:	Schumi			FINISH	Jamy		Sheet No.	4 from 4	