

● **Features**

- Small- sized, but large capacity
- Unlike battery, unlimited charge/discharge cycle
- Reflow soldering method available)



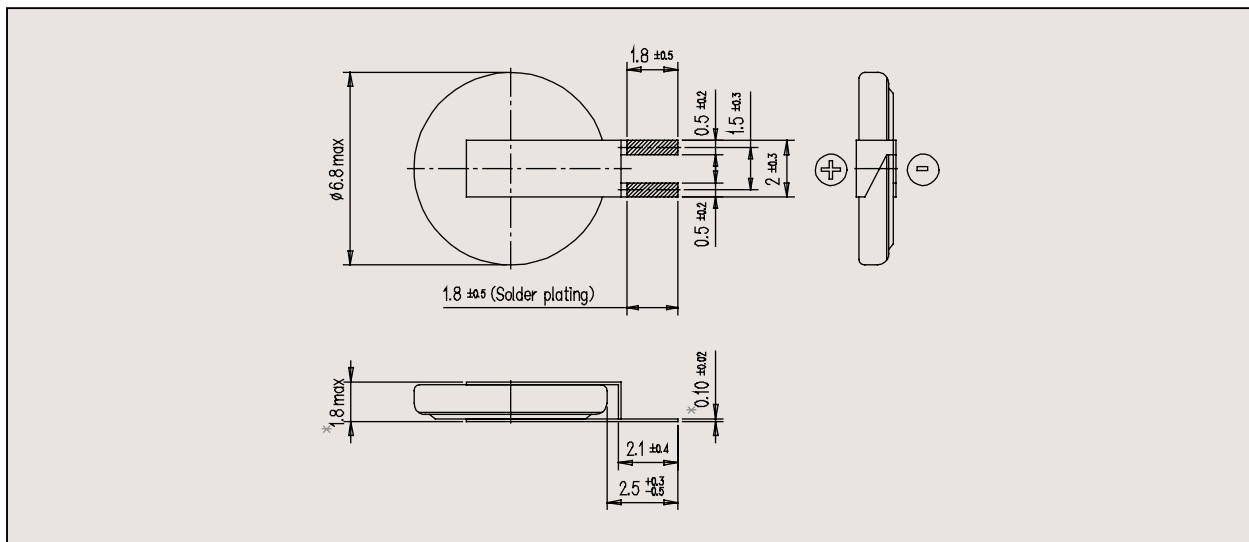
● **Applications**

- ideal for solar watches, solar calculators, MP3, PMP, Memory back - up for Cellular phone, Digital camera, PDA

● **Specifications**

Items	Characteristics		
	2.8VDC	2.8VDC	3.3VDC
Rated working voltage (V)	2.8VDC	2.8VDC	3.3VDC
Operating temperature	- 25 to +70 °C	- 10 to +60 °C	- 10 to +60 °C
Normal Cap. Range	0.25 F	0.47F	0.20F
Capacitance tolerance	- 20% to +80%(at 25 °C)		
Low temperature (-25/-10 °C) characteristics	Capacitance change : ≤30% of initial measured value at +25 °C Internal resistance : Less than five time of the initial value +25 °C		
Endurance	Capacitance change : ±30% of initial measured value Internal resistance : Less than five times of the initial specified value. (After 1,000hours application of rated DC working voltage at +60 °C , 70 °C , the capacitor shall meet the following limits.)		
Shelf life	After 1,000hours storage at +60 °C , 70 °C without load, the capacitor shall meet the specified limit for "Endurance"		

● **Dimensions in mm(not to scale)**



● **Standard products**

Part number	Operating Voltage (V)	Capacitance (F)	ESR (Ω , @1kHz)	$\phi D \times L$ (mm)
SC DMS(R) 2R8 334	2.8	0.25	100	$\phi 6.8 \times 1.4$
SC DMS(R) 2R8 474	2.8	0.47	200	$\phi 6.8 \times 1.4$
SC DMS(R) 3R3 204	3.3	0.20	200	$\phi 6.8 \times 1.4$

* **NOTE : Do not use reflow soldering when cell voltage is above 0.3V**