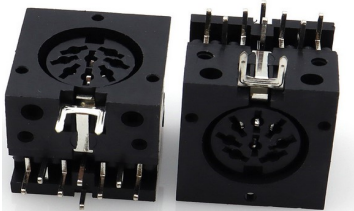


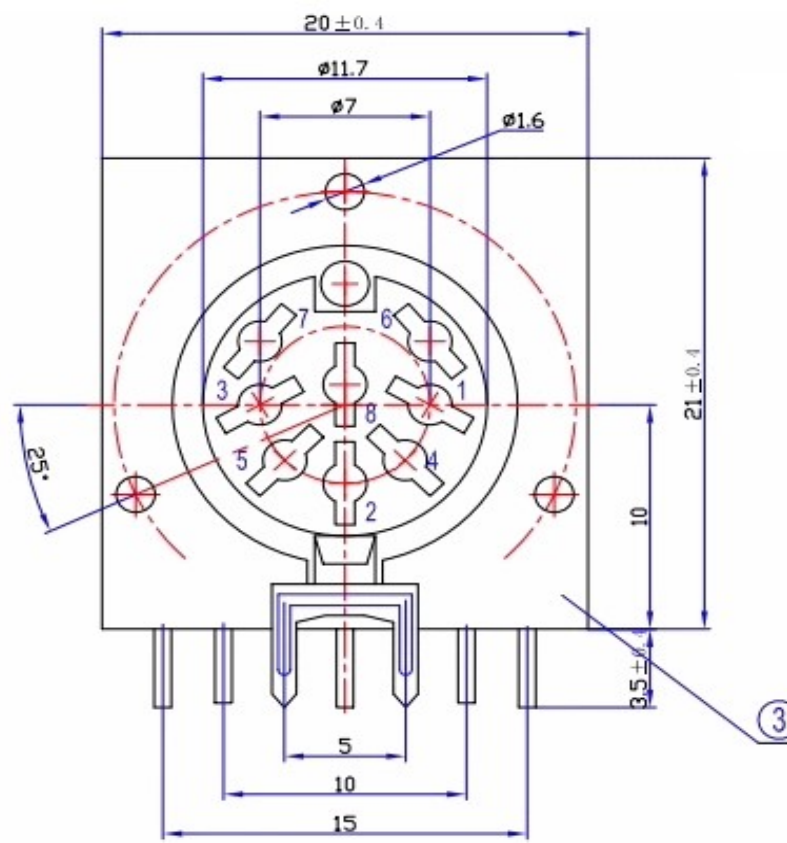
EDCON-COMPONENTS



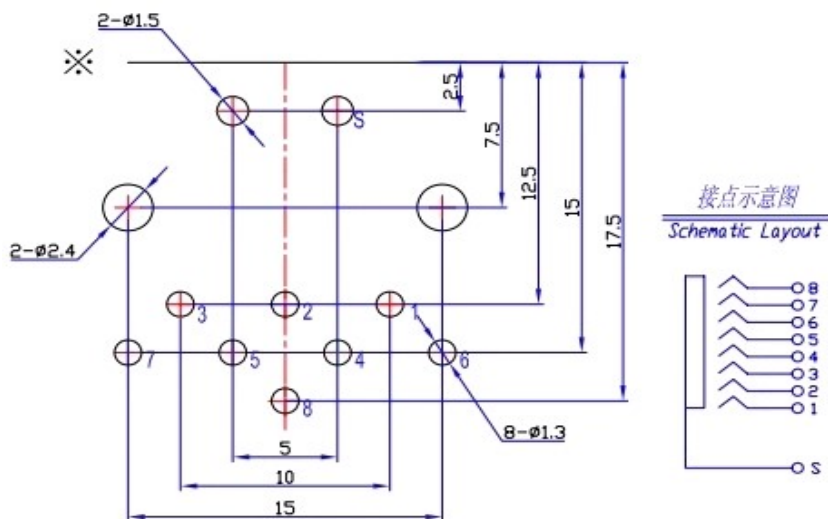
Technical Discription

Temperature Range:	-25°C ~ + 70°C
Rated Load:	DC 30V/0,5A
Contact Resistance:	≤ 0,03 Ω
Insulation Resistance:	≥ 100M Ω
Withstanding Voltage:	AC 250V (50Hz) 1 min.
Insertion & Extraction Force:	5-30N
Lifetime:	1000 cycles

Technical Drawing



PCB Layout



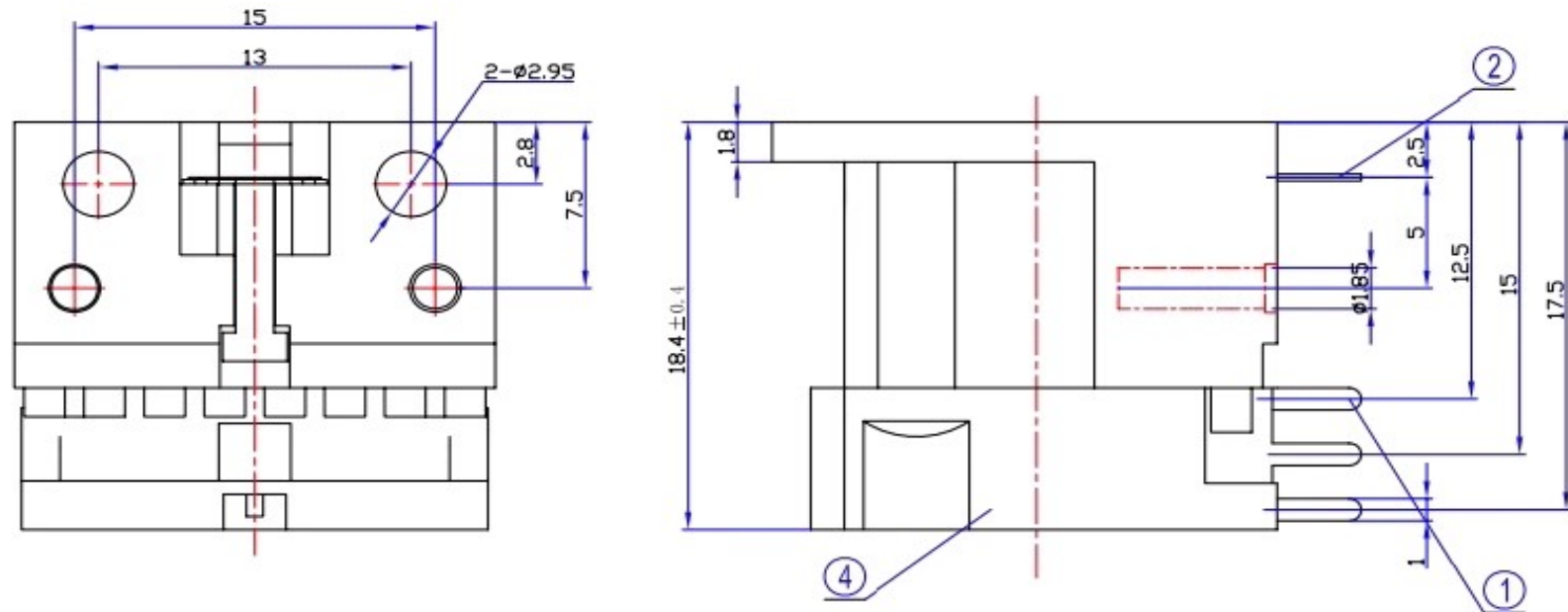
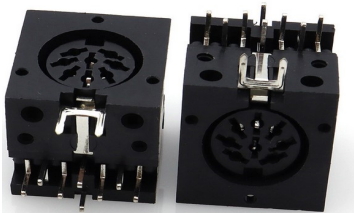
R/A DIN Connector 8Pos.	
Part No.:	T20B039
Customer:	

DRW:	Jason	CHKD:	Wilson	MATL:	Wilson	TOLERANCE:	Mason	DATE:	17.04.2024
APPD:	Schumi			FINISH:	Jamy		Sheet No.		1 from 3

www.edcon-components.com

email: info@edcon-components.com

EDCON-COMPONENTS



Ordering Informations

Serie	Pos.	ROHS	Package						
T20B039	08	R	TY						

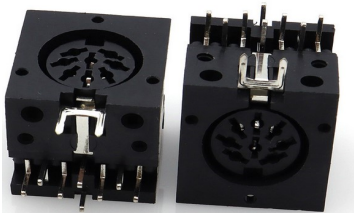
R= ROHS Conform	BU= BULK-WARE
N= NON ROHS Conform	TY= TRAY Packing

R/A DIN Connector 8Pos.	
Part No.:	T20B039

DRW:	Jason	CHKD:	Wilson	MATL:	Wilson	TOLERANCE:	Mason	DATE:	17.04.2024
APPD:	Schumi			FINISH:	Jamy			Sheet No.:	2 from 3

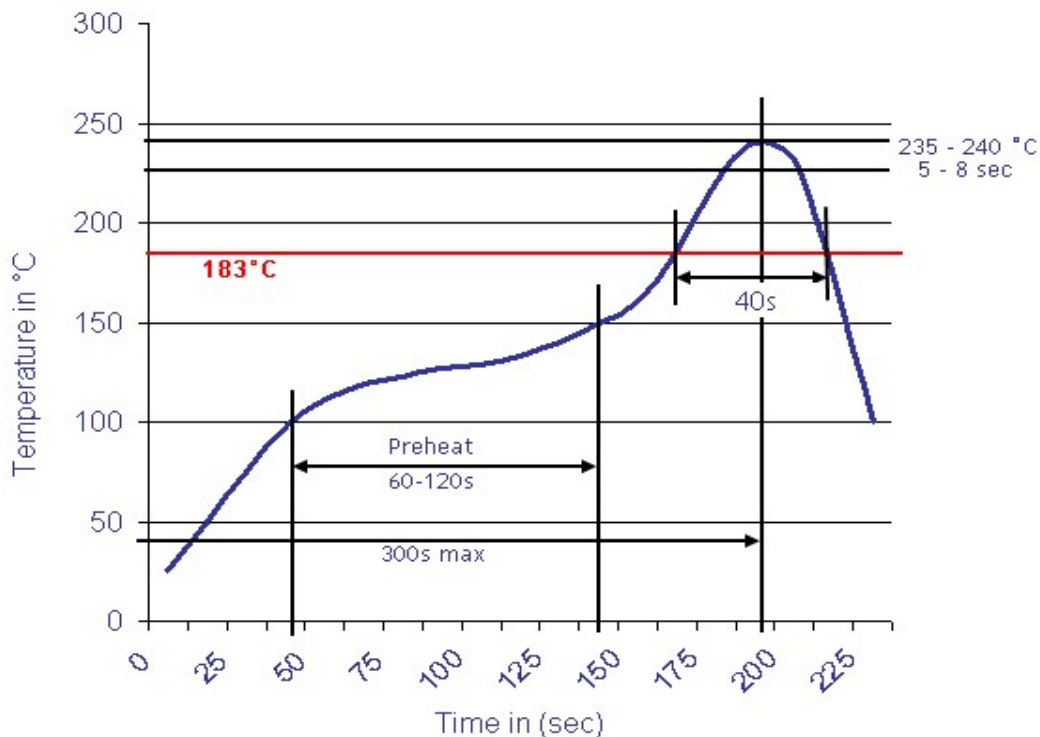
Customer:
 email: info@edcon-components.com

www.edcon-components.com



Soldering Profile Curve

Classification Reflow Profile (JEDEC J-STD-020C)



R/A DIN Connector 8Pos.

Part No.: **T20B039**

DRW:	Jason	CHKD	Wilson	MATL:	Wilson	TOLERANCE	Mason	DATE	17.04.2024
APPD:	Schumi			FINISH	Jamy		Sheet No.	3 from 3	

Customer: