

EDCON-COMPONENTS



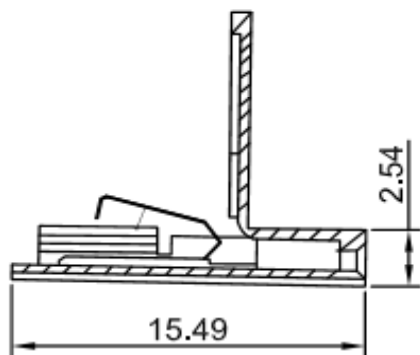
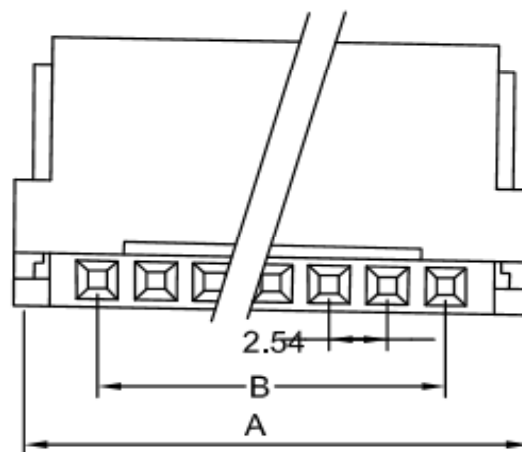
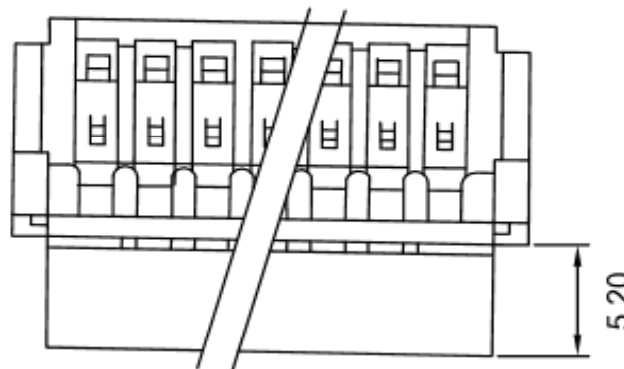
Contact



Specifications

Material Housing	Thermoplastic High Temp UL94V-0 Color Blue
Terminal:	Copper Alloy
Fitting Nail:	Copper Alloy
Plating Finish:	Matt Tin / Gold flash overall
Fitting Nail:	Matt Tin overall
Electrical:	
Current Rating:	2,0A/AC/DC
Voltage Rating:	15V AC/DC
Temperature Range:	.- 60°C ~ +105°C
Standard Tolerance:	.-+2%
Withstanding Voltage:	1000V /Minute
Relative Humidity:	30%~90%

Drawing



**FFC/FPC Clincher Connector
Pitch 2,54mm**

Part No.: **T28L005 -**

Customer:

DRW:	Jason	CHKD	Wilson	MATL:	Wilson	TOLERANCE	Mason	DATE	20.09.2022
APPD:	Schumi			FINISH	Jamy		Sheet No.	1 from 4	

EDCON-COMPONENTS



Contact



Pin Code length table free configuration

Dimension (mm)						
Pos.	A	B	C	D	E	F
2	9,91	2,54				
3	12,45	5,08				
4	14,99	7,62				
5	17,53	10,16				
6	20,07	12,70				
7	22,61	15,24				
8	25,15	17,78				
9	27,69	20,32				
10	30,23	22,86				
11	32,77	25,40				
12	35,31	27,94				
13	37,85	30,48				
14	40,39	33,02				
15	42,93	35,56				
16	45,47	38,10				
17	48,01	40,64				
18	50,55	43,18				
19	53,09	45,72				
20	55,63	48,26				
21	58,17	50,80				
22	60,71	53,34				
23	63,25	55,88				

Dimension (mm)						
Pos.	A	B	C	D	E	F
24	65,79	58,42				
25	68,33	60,96				
26	70,87	63,50				
27	73,41	66,04				
28	75,95	68,58				
29	78,49	71,12				
30	81,03	73,66				

Dimension (mm)						
Pos.	A	B	C	D	E	F

DRW:	Jason	CHKD	Wilson	MATL:	Tolerances unless otherwise specified (mm)					FFC/FPC Clincher Connector Pitch 2,54mm
					X	X.X	X.XX	X.XXX	Angle	
					±	±	±	±	±3°	
APPD:	Schumi			FINISH	Jamy	TOLERANCE	Mason	DATE	20.09.2022	Part No.: T28L005 -
							Sheet No.		2 from 4	Customer:

EDCON-COMPONENTS



Contact



Ordering Informations

Serie	No. of Pos.	Contact Plating	Special function	Special function	Special function	Special function	ROHS	Packing		
T28L005 -	xx	T0	0	0	0	0	R	TR		

XX= total	G0 = Gold Flash	0 = No function	0 = No function	0 = No function	0 = No function	N =NON ROHS conform	
	T0 = Tin plated						TU = Tube
						R =ROHS conform	TR = Tape Reel Packing

**FFC/FPC Clincher Connector
Pitch 2,54mm**

Part No.: **T28L005 -**

DRW:	Jason	CHKD	Wilson	MATL:	Wilson	TOLERANCE	Mason	DATE	20.09.2022
APPD:	Schumi			FINISH	Jamy		Sheet No.		3 from 4

Customer:

www.edcon-components.com

email: info@edcon-components.com