

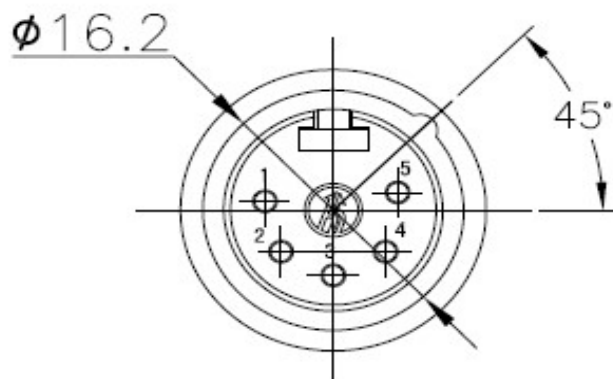
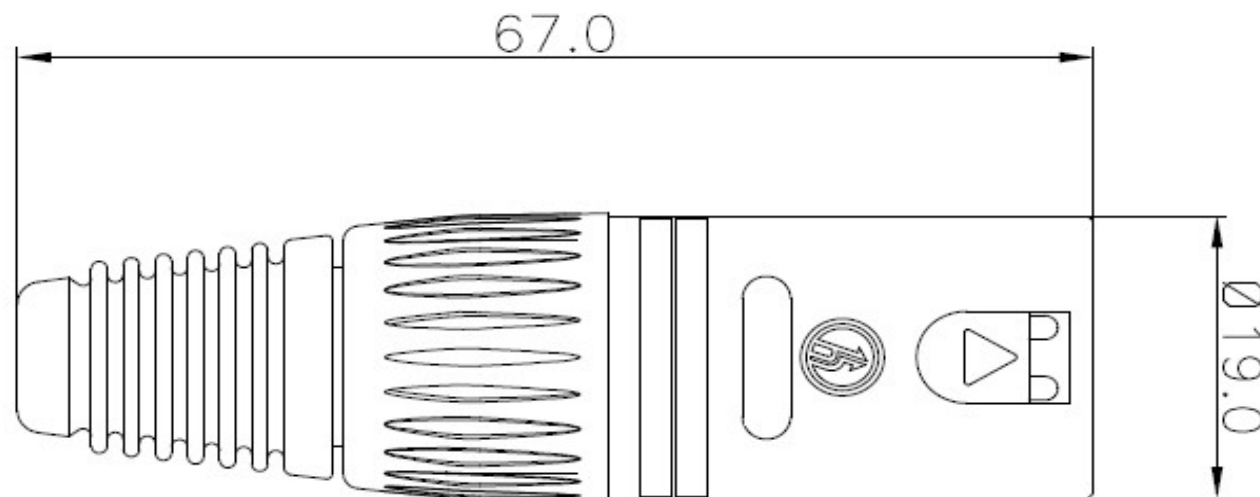


## Specifications

Voltage Rating: 50V AC  
 Current Rating: 7,5A max.  
 Operating Temperature: -30°C to + 80°C  
 Contact Resistance: 30m Ohm max.  
 Withstanding Voltage: 500V AC min.  
 Insulation Resistance: 2G Ohms min.

Inserion Force: 5N ~ 40N  
 Withdrawal Force: 5N ~ 40N  
 Durarability: 1000 Cycles

## Drawing ( dimensions all into mm)



Tolerance Table (mm)

Angle	63 < L	16 < L > 63	4 < L > 16	L < 4
± 5°	±0,5	±0,4	±0,3	±0,2

## 5Pos. XLR-Male Plug

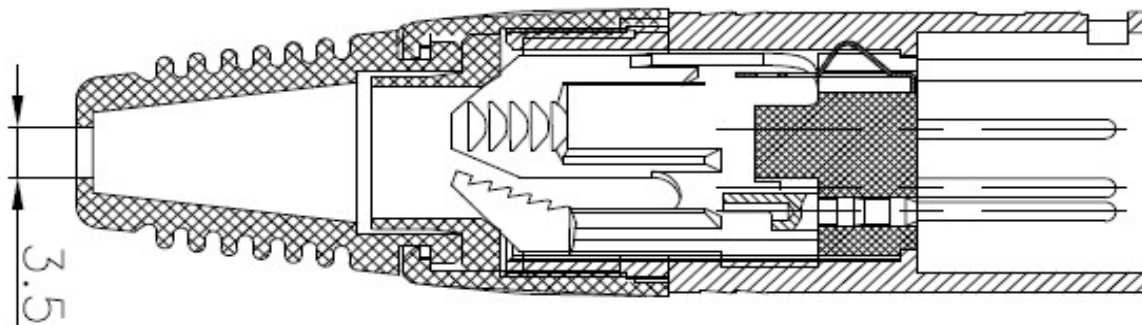
Part No.: **T74032**

DRW:		CHKD:	Wilson	MATL:	Wilson	TOLERANCE:	Mason	DATE:	09.02.2022
APPD:	Schumi			FINISH:	Jamy		Sheet No.		1 from 3

Customer:



Dimension Information about Housing



<b>5Pos. XLR-Male Plug</b>	
Part No.:	<b>T74032</b>
Customer:	

DRW:	Jason	CHKD	Wilson	MATL:	Wilson	TOLERANCE	Mason	DATE	09.02.2022
APPD:	Schumi			FINISH	Jamy		Sheet No.	2 from 3	

# EDCON-COMPONENTS



## Ordering Informations

Serie	No Position	Special Function	ROHS	Packing						
-------	-------------	------------------	------	---------	--	--	--	--	--	--

<b>T74032</b>	<b>5</b>	<b>xx</b>	<b>R</b>	<b>BU</b>						
---------------	----------	-----------	----------	-----------	--	--	--	--	--	--

<b>5=</b> Number of Position	<b>XX=</b> No function	<b>R=</b> ROHS conform	<b>BU=</b> Standard
		<b>N=</b> NON ROHS conform	<b>IV=</b> Individual Packing

<b>5Pos. XLR-Male Plug</b>	
Part No.:	<b>T74032</b>
Customer:	

DRW:	Jason	CHKD	Wilson	MATL:	Wilson	TOLERANCE	Mason	DATE	09.02.2022
APPD:	Schumi			FINISH	Jamy		Sheet No.	3 from 3	