

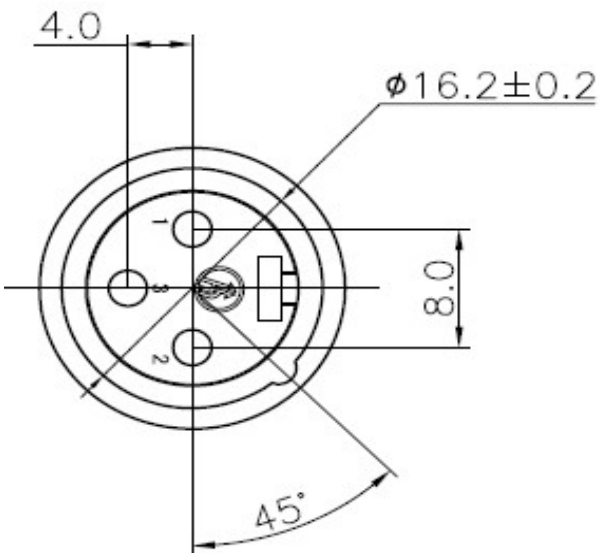
EDCON-COMPONENTS



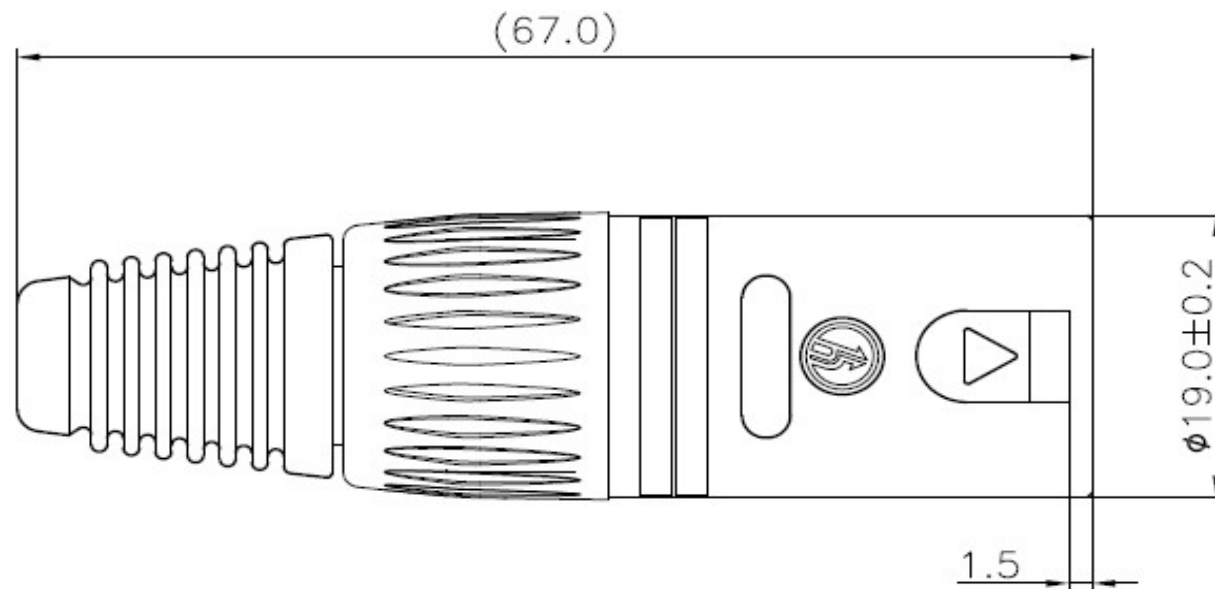
Specifications

Voltage Rating: 50V AC
 Current Rating: 16A max.
 Operating Temperature: -30°C to + 80°C
 Contact Resistance: 30m Ohm max.
 Withstanding Voltage: 500V AC min.
 Insulation Resistance: 2G Ohms min.

Inserion Force: 5N ~ 40N
 Withdrawal Force: 5N ~ 40N
 Durarability: 1000 Cycles



Drawing (dimensions all into mm)



Tolerance Table (mm)

Angle	63 < L	16 < L > 63	4 < L > 16	L < 4					
± 5°	±0,5	±0,4	±0,3	±0,2					
DRW:	Jason	CHKD	Wilson	MATL:	Wilson	TOLERANCE	Mason	DATE	09.02.2022
APPD:	Schumi			FINISH	Jamy		Sheet No.		1 from 3

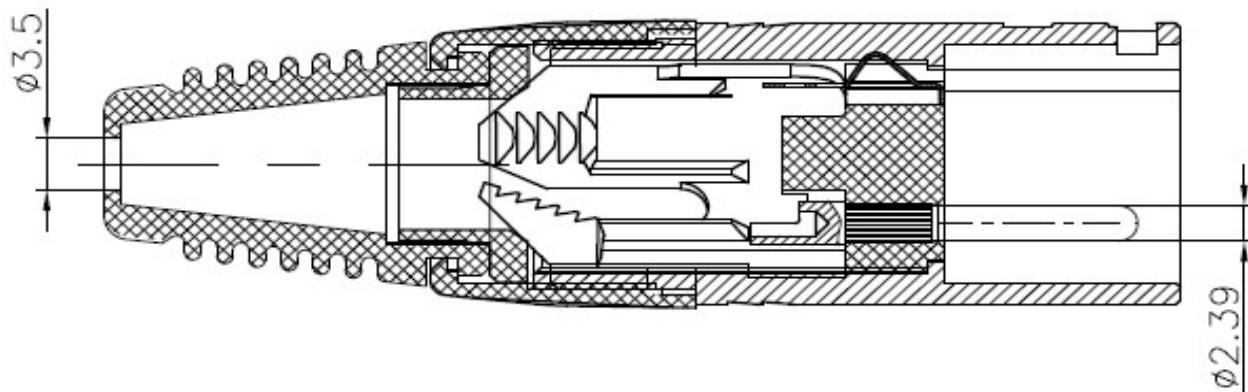
3Pos. XLR-Male Plug

Part No.: **T74030**

Customer:



Dimension Information about Housing



3Pos. XLR-Male Plug	
Part No.:	T74030
Customer:	

DRW:	Jason	CHKD	Wilson	MATL:	Wilson	TOLERANCE	Mason	DATE	09.02.2022
APPD:	Schumi			FINISH	Jamy		Sheet No.	2 from 3	

EDCON-COMPONENTS



Ordering Informations

Serie	No Position	Special Function	ROHS	Packing						
-------	-------------	------------------	------	---------	--	--	--	--	--	--

T74030	3	xx	R	BU						
---------------	----------	-----------	----------	-----------	--	--	--	--	--	--

3= Number of Position	XX= No function	R= ROHS conform	BU= Standard
		N= NON ROHS conform	IV= Individual Packing

3Pos. XLR-Male Plug	
Part No.:	T74030
Customer:	

DRW:	Jason	CHKD	Wilson	MATL:	Wilson	TOLERANCE	Mason	DATE	09.02.2022
APPD:	Schumi			FINISH	Jamy		Sheet No.	3 from 3	