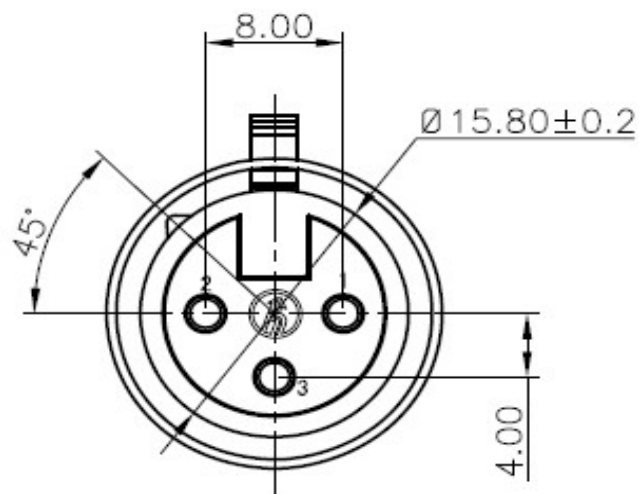




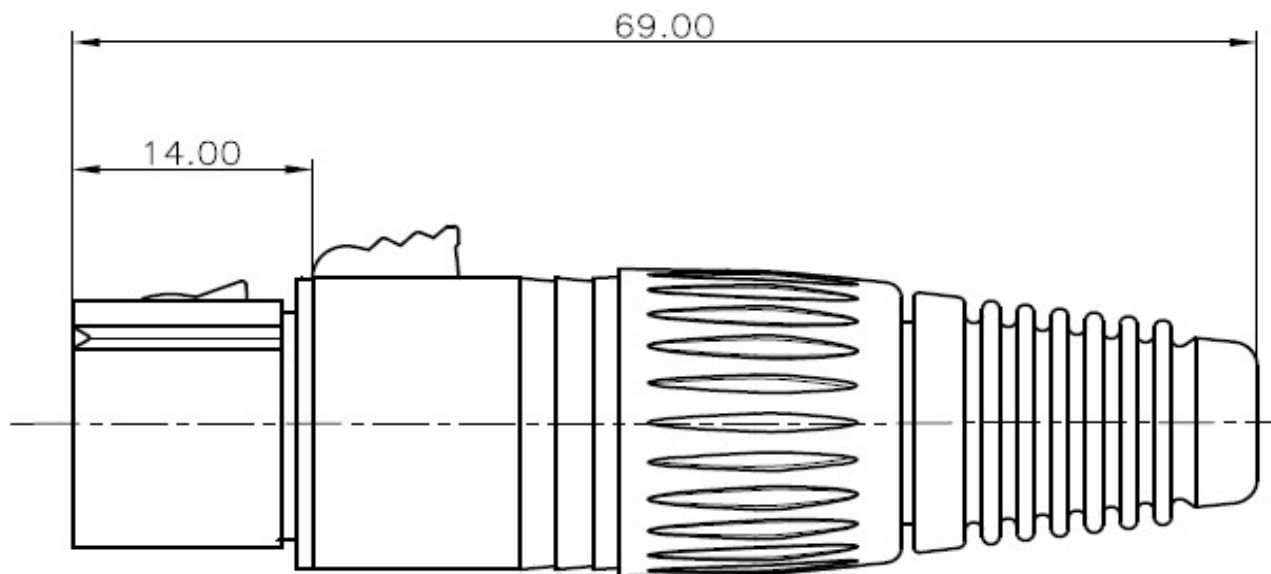
Specifications

Voltage Rating: 50V AC
 Current Rating: 16A max.
 Operating Temperature: -30°C to + 80°C
 Contact Resistance: 30m Ohm max.
 Withstanding Voltage: 500V AC min.
 Insulation Resistance: 2G Ohms min.

Insertion Force: 5N ~ 40N
 Withdrawal Force: 5N ~ 40N
 Durability: 1000 Cycles



Drawing (dimensions all into mm)



3Pos. XLR-Female Plug

Part No.: **T74025**

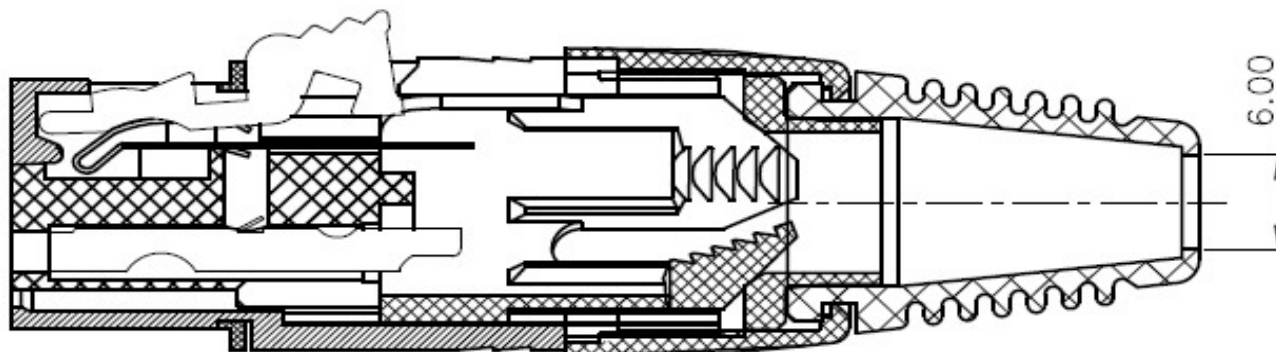
Customer:

Tolerance Table (mm)

Angle	63 < L	16 < L > 63	4 < L > 16	L < 4				
± 5°	±0,5	±0,4	±0,3	±0,2				
DRW:	CHKD	Wilson	MATL:	Wilson	TOLERANCE	Mason	DATE	09.02.2022
APPD:	Schumi		FINISH	Jamy		Sheet No.		1 from 3



Dimension Information about Housing



3Pos. XLR-Female Plug	
Part No.:	T74025
Customer:	

DRW:	Jason	CHKD	Wilson	MATL:	Wilson	TOLERANCE	Mason	DATE	09.02.2022
APPD:	Schumi			FINISH	Jamy		Sheet No.	2 from 3	

EDCON-COMPONENTS



Ordering Informations

Serie	No Position	Special Function	ROHS	Packing						
-------	-------------	------------------	------	---------	--	--	--	--	--	--

T74025	3	xx	R	BU						
---------------	----------	-----------	----------	-----------	--	--	--	--	--	--

3= Number of Position	XX= No function	R= ROHS conform	BU= Standard
		N= NON ROHS conform	IV= Individual Packing

3Pos. XLR-Female Plug	
Part No.:	T74025
Customer:	

DRW:	Jason	CHKD	Wilson	MATL:	Wilson	TOLERANCE	Mason	DATE	09.02.2022
APPD:	Schumi			FINISH	Jamy		Sheet No.	3 from 3	