

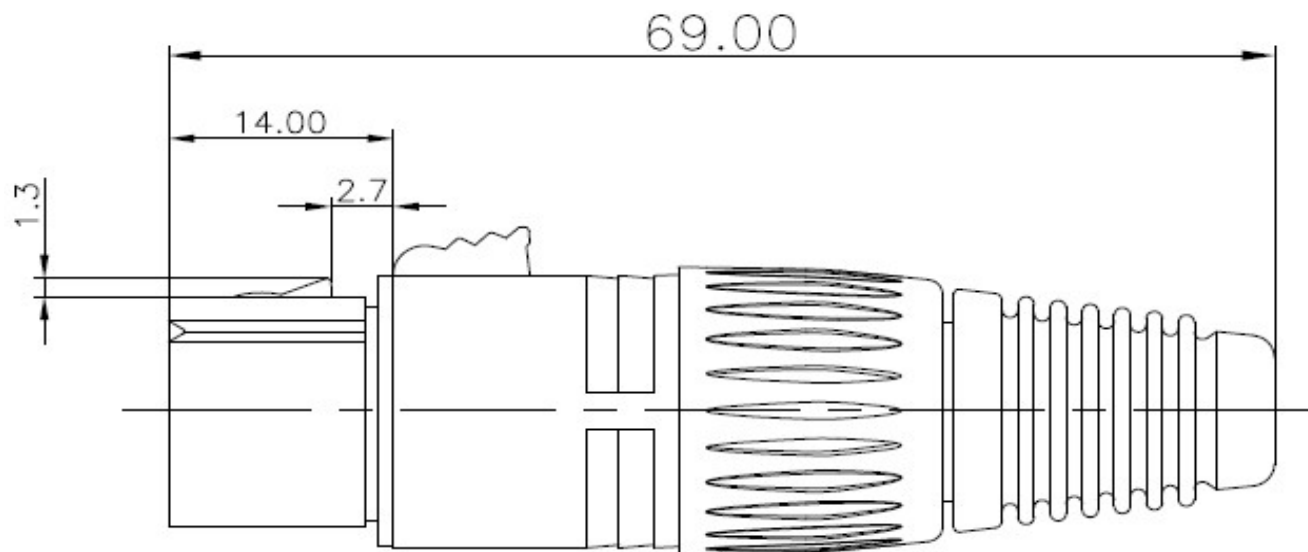
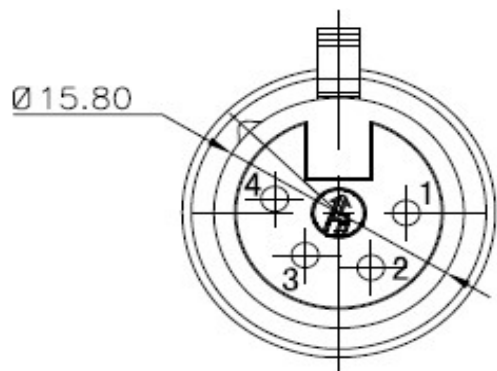
# EDCON-COMPONENTS



## Specifications

Voltage Rating:	50V AC
Current Rating:	10A max.
Operating Temperature:	.-30°C to + 80°C
Contact Resistance:	30m Ohm max.
Withstanding Voltage:	500V AC min.
Insulation Resistance:	2G Ohms min.
Inserion Force:	5N ~ 40N
Withdrawal Force:	5N ~ 40N
Durarability:	1000 Cycles

## Drawing ( dimensions all into mm)



### 4Pos. XLR-Female Plug

Part No.: **T74024**

Customer:

#### Tolerance Table (mm)

Angle	63 < L	16 < L > 63	4 < L > 16	L < 4
± 5°	±0,5	±0,4	±0,3	±0,2

DRW:		CHKD	Wilson	MATL:	Wilson	TOLERANCE	Mason	DATE	09.02.2022
APPD:	Schumi			FINISH	Jamy		Sheet No.		1 from 3

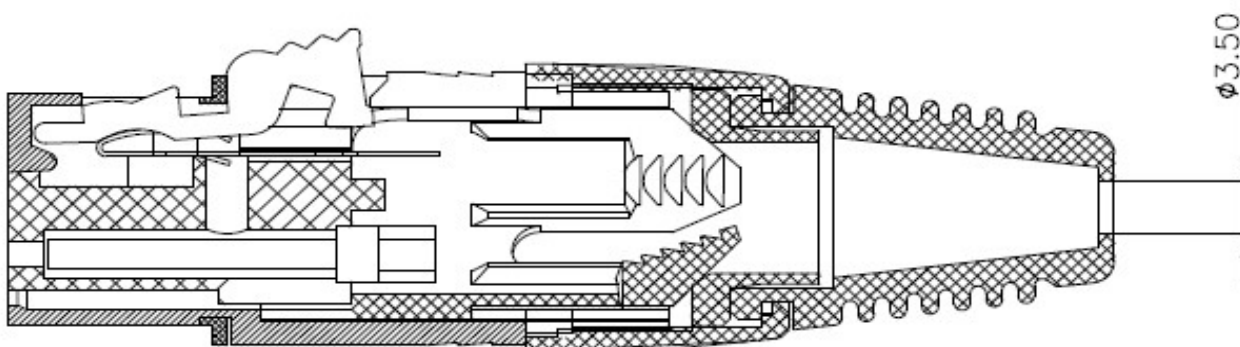
[www.edcon-components.com](http://www.edcon-components.com)

email: [info@edcon-components.com](mailto:info@edcon-components.com)

# EDCON-COMPONENTS



## Dimension Information about Housing



<b>4Pos. XLR-Female Plug</b>	
Part No.:	<b>T74024</b>
Customer:	

DRW:	Jason	CHKD	Wilson	MATL:	Wilson	TOLERANCE	Mason	DATE	09.02.2022
APPD:	Schumi			FINISH	Jamy		Sheet No.	2 from 3	

[www.edcon-components.com](http://www.edcon-components.com)

email: [info@edcon-components.com](mailto:info@edcon-components.com)

# EDCON-COMPONENTS



## Ordering Informations

Serie	No Position	Special Function	ROHS	Packing						
-------	-------------	------------------	------	---------	--	--	--	--	--	--

<b>T74024</b>	<b>4</b>	<b>xx</b>	<b>R</b>	<b>BU</b>						
---------------	----------	-----------	----------	-----------	--	--	--	--	--	--

<b>4=</b> Number of Position	<b>XX=</b> No function	<b>R=</b> ROHS conform	<b>BU=</b> Standard
		<b>N=</b> NON ROHS conform	<b>IV=</b> Individual Packing

<b>4Pos. XLR-Female Plug</b>	
Part No.:	<b>T74024</b>
Customer:	

DRW:	Jason	CHKD	Wilson	MATL:	Wilson	TOLERANCE	Mason	DATE	09.02.2022
APPD:	Schumi			FINISH	Jamy		Sheet No.	3 from 3	