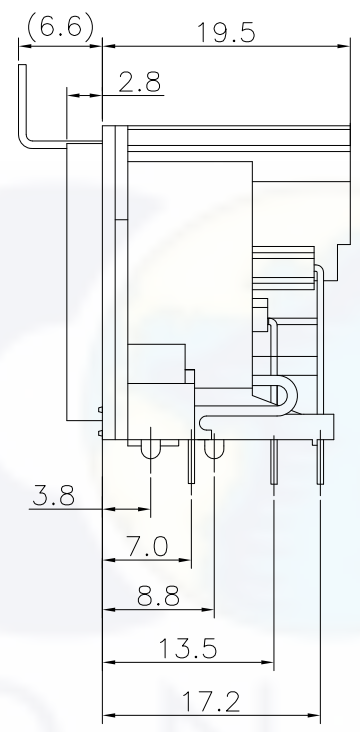
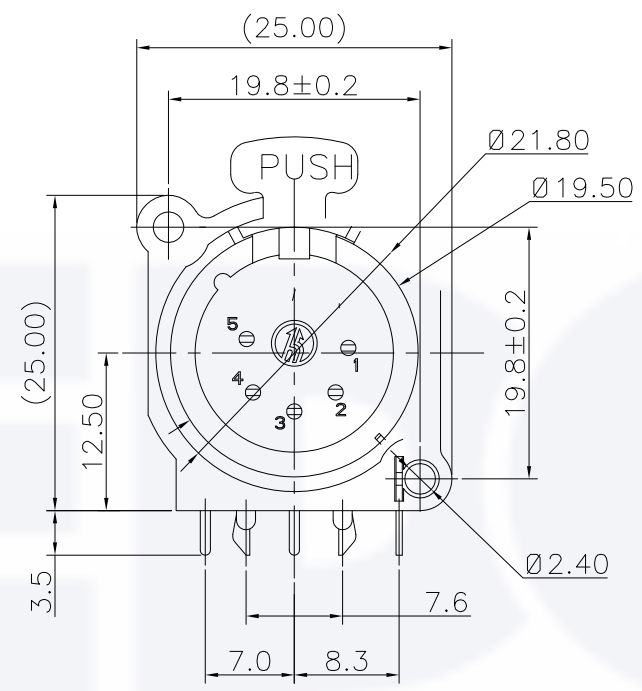
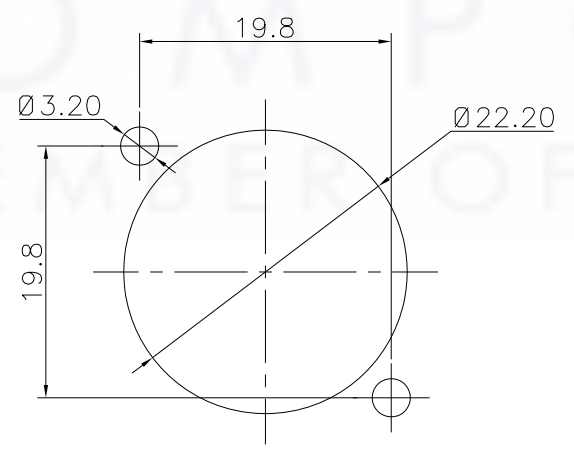


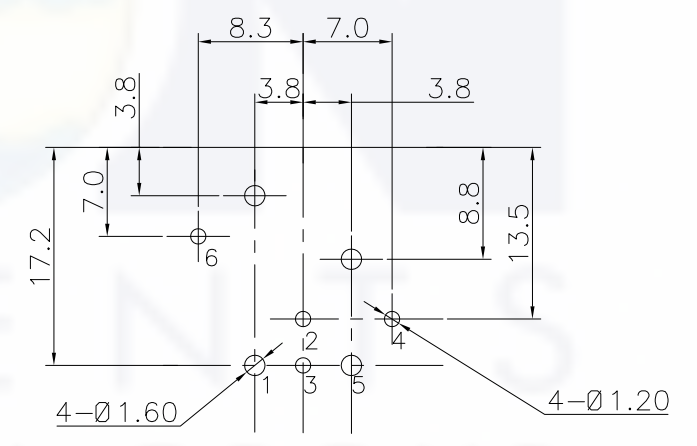
REV.	ECN NO.	MODIFIED MARK	APPROVED
A	—	FIRST RELEASE	



NOTES:
 ELECTRICAL:
 1:RATED CURRENT: 3A Max.
 2:RATED VOLTAGE: 50V AC.
 3:CONTACT RESISTANCE: 30 MILLIOHMS Max.
 AFTER TESTING:60 MILLIOHMS Max.
 4:INSULATION RESISTANCE: 1G OHMS Min.
 5:DIELECTRIC WITHSTANDING VOLTAGE: 500 VAC Min.
 MECHANICAL:
 1:INSERTION FORCE: 5N-40N.
 2:WITHDRAWAL FORCE: 5N-40N.
 3:DURRABILITY: 1000 CYCLES.
 ENVIRONMENTAL:
 TEMPERATURE RANGE: -30°C TO 80°C.



PANEL CUTOUT



PCB LAYOUT
TOP VIEW

ANGLE	±5°	MODEL NAME: T74003			
63 < L	±0.5	(PART NO.)			
16 < L ≤ 63	±0.4				
4 < L ≤ 16	±0.3				
L ≤ 4	±0.2				
TOL TABLE:		MAT'L:	DESIGN: X.H.Wang 08/31'18	TITLE: XLR CABLE CONNECTORS	
THIS DOCUMENT IS THE PROPERTY OF TRENPRO TECHNOLOGY CO. LTD.,NO PART THEREOF MAY BE REPRODUCED AND USED WITHOUT THE PRIOR WRITTEN CONSENT OF THE OWNER		See table			
		FINISH:	CHECKED: L.W.Wu 08/31'18	DWG NO.:	
		See table			
		Q'TY: /	APPROVED: X.Q.Hu 08/31'18	UNIT: mm	VIEW:
				SCALE: 5:1	SHEET: 1/1
					SIZE: A3