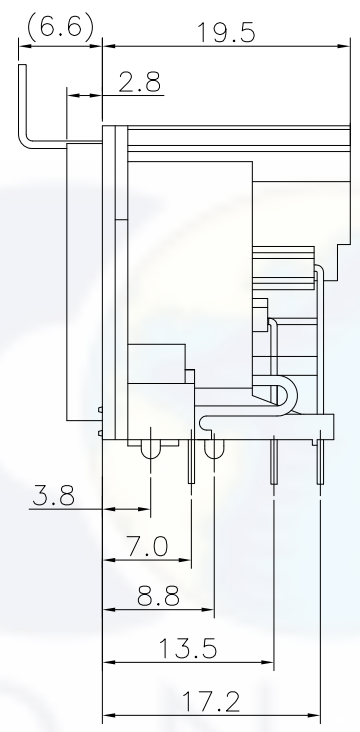
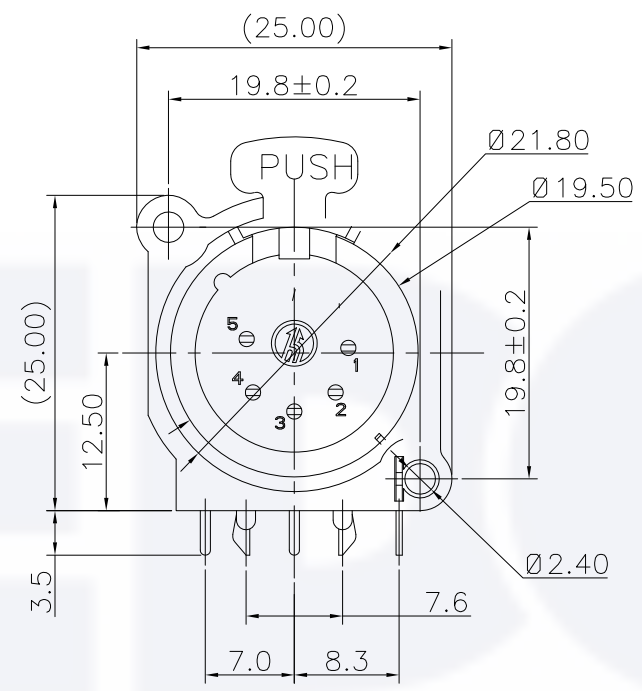
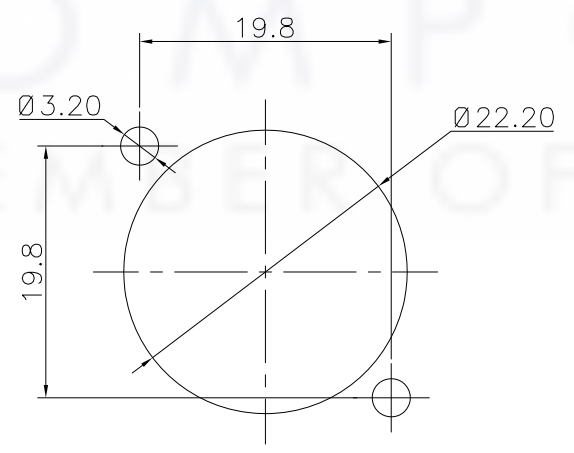


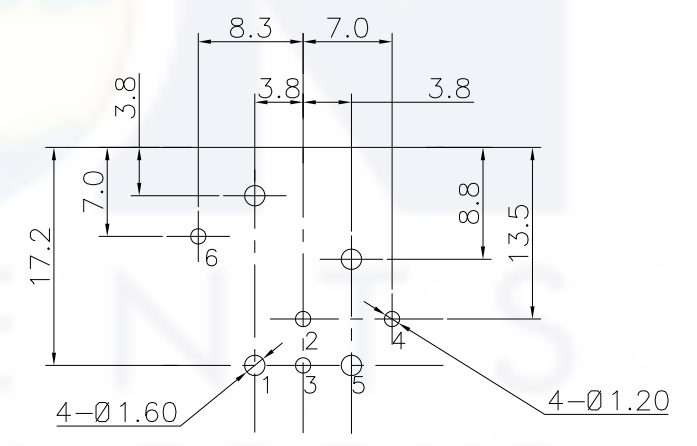
|      |         |               |          |
|------|---------|---------------|----------|
| REV. | ECN NO. | MODIFIED MARK | APPROVED |
| A    | —       | FIRST RELEASE |          |



NOTES:  
 ELECTRICAL:  
 1:RATED CURRENT: 3A Max.  
 2:RATED VOLTAGE: 50V AC.  
 3:CONTACT RESISTANCE: 30 MILLIOHMS Max.  
 AFTER TESTING:60 MILLIOHMS Max.  
 4:INSULATION RESISTANCE: 1G OHMS Min.  
 5:DIELECTRIC WITHSTANDING VOLTAGE: 500 VAC Min.  
 MECHANICAL:  
 1:INSERTION FORCE: 5N-40N.  
 2:WITHDRAWAL FORCE: 5N-40N.  
 3:DURRABILITY: 1000 CYCLES.  
 ENVIRONMENTAL:  
 TEMPERATURE RANGE: -30°C TO 80°C.



PANEL CUTOUT



PCB LAYOUT  
TOP VIEW

|  |      |                                  |  |                             |            |
|--|------|----------------------------------|--|-----------------------------|------------|
| ANGLE  | ±5°  | MODEL NAME: <b>T74002</b>        |  |                             |            |
| 63 < L   | ±0.5 | (PART NO.)                       |  |                             |            |
| 16 < L ≤ 63  | ±0.4 | MAT'L: DESIGN: X.H.Wang 08/31'18 |  | TITLE: XLR CABLE CONNECTORS |            |
| 4 < L ≤ 16   | ±0.3 | See table                        |  |                             |            |
| L ≤ 4  | ±0.2 | FINISH: CHECKED: L.W.Wu 08/31'18 |  | DWG NO.:                    |            |
| TOL TABLE:   |      | See table                        |  | REV.: A                     |            |
| THIS DOCUMENT IS THE PROPERTY OF TRENPRO TECHNOLOGY CO. LTD.,NO PART THEREOF MAY BE REPRODUCED AND USED WITHOUT THE PRIOR WRITTEN CONSENT OF THE OWNER |      | Q'TY:/ APPROVED: X.Q.Hu 08/31'18 |  | UNIT: mm                    | VIEW:      |
|  |      |                                  |  | SCALE: 5:1                  | SHEET: 1/1 |
|  |      |                                  |  | SIZE: A3                    |            |