

VH Series

125°C High Voltage

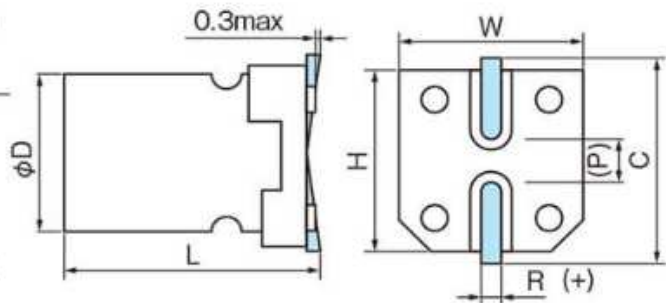
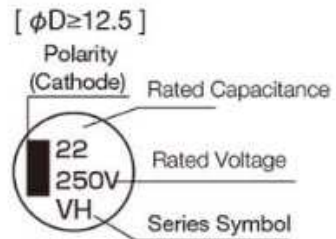
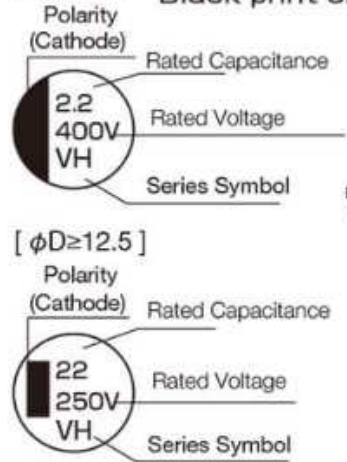

- 160 to 450V, 125°C 2,000hours
- Non solvent proof

■ Specifications

Items		Condition		Specifications				
Rated voltage (V)		—		160	200	250	400	450
Surge voltage (V)		Room temperature		200	250	300	450	500
Category temperature range (°C)		—		-40 to +125				
Capacitance tolerance (%)		120Hz/20°C		M : ±20				
Dissipation Factor (tan δ)		tanδ (max) 120Hz/20°C		0.20			0.25	
Leakage current (LC)	μA/after 2minutes (max)	CV ≤ 5.6		0.03CV + 15μA				
		CV > 5.6		0.02CV + 25μA				
Impedance ratio at low temperature	Based on the value at 120Hz, +20°C	-25°C	Z/Z _{20°C}	3	3	6	6	10
		-40°C	Z/Z _{20°C}	6	6	10	10	15
Endurance	125°C 2,000hours rated voltage applied (With the rated ripple current)	ΔC/C		Within ±30% of the initial value				
		tanδ		Less than 200% of the specified value				
		LC		Less than the specified value				

■ Marking, Dimensions

[$\phi D \leq 10$] Black print on the case top



A pressure relief vent is provided for $\phi D=8$ or bigger
(P)reference size

(Unit : mm)

$D^{\pm 0.5}$	$L^{\pm 0.5}$	$W^{\pm 0.2}$	$H^{\pm 0.2}$	$C^{\pm 0.2}$	R	$P^{\pm 0.2}$
8	10.5	8.3	8.3	9.2	0.7 to 1.2	3.1
10	10.5	10.3	10.3	11.2	0.7 to 1.2	4.4
10	13.5	10.3	10.3	11.2	0.7 to 1.2	4.4
12.5	13.5	13.0	13.0	14.0	1.0 to 1.4	4.4

■ Ripple Current Frequency Coefficient

Frequency:F(Hz)	50Hz	120Hz	300Hz	1kHz	10kHz \leq F
Capacitance:C(μ F) All ITEM	0.70	1.00	1.17	1.30	1.50

■ Size, Rated Ripple Current

μF \ V	160		200		250		400		450	
3.3							8x10.5	30		
4.7					8x10.5	20			10x10.5	35
5.6					8x10.5	25				
6.8					8x10.5	30	10x10.5	45	10x13.5	40
10			8x10.5	45			10x13.5	50	12.5x13.5	55
15	8x10.5	45			10x10.5	45				
18			10x10.5	60	10x13.5	50	12.5x13.5	80		
22	10x10.5	60								
27			10x13.5	65	12.5x13.5	80				
33	10x13.5	65	12.5x13.5	80						

Case size: ϕ DxL(mm)

Rated ripple current
mA_{rms}(120Hz, 125°C)