

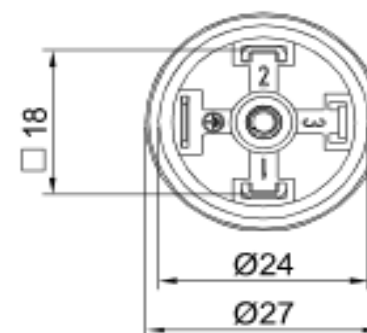
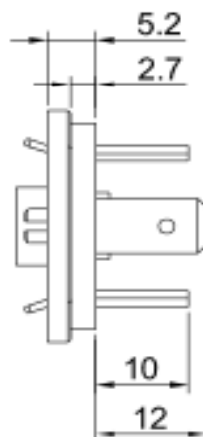
EDCON-COMPONENTS



Description

Dimensions (mm)

Material of Case:	PA+GF (UL94V-0)
Colour of Case:	Black
Voltage Rating:	400V AC/DC
Current Rating:	16A
Withstanding Voltage:	4000V
Contact Resistance:	≤ 5mΩ
Insulation Resistance:	≥ 10 ¹⁰ Ω
Wire -Range	AWG16 to AWG22
Temperatur Range:	.-30°C to +120°C
Connecting Cycle:	>50 cycles
Protection Degree:	w/o Seal IP40 / with Seal IP65
Srew:	Steel Nickel plated
Contact:	CuSn with Silber Plated
Connector Locking System:	Screw
Termination:	Solder



**Valve Connector DIN
43650 Type A Male**

Part No.: **T83021**

DRW:	Jason	CHKD	Wilson	MATL:	Wilson	TOLERANCE	Mason	DATE	16.12.2021
APPD:	Schumi			FINISH	Jamy		Sheet No.		1 from 2

Customer:

EDCON-COMPONENTS



Ordering Informations

Serie	Connecting Code	Screw Knob Colour	Special Function	Special Function	Special Function	ROHS	Packing
T83021	3P	BK	0	0	0	R	BU

3P0= 3Pos.	BK= Black	0= No function	0= No function	0= No function	R= ROHS Conform	BU= Bulk - Ware into Polybag
3PC= 3Pos + CE.					N= NON ROHS Conform	IV= Individual Packing

**Valve Connector DIN
43650 Type A Male**

Part No.: **T83021**

DRW:	Jason	CHKD	Wilson	MATL:	Wilson	TOLERANCE	Mason	DATE	16.12.2021
APPD:	Schumi			FINISH	Jamy		Sheet No.		2 from 2

Customer: