



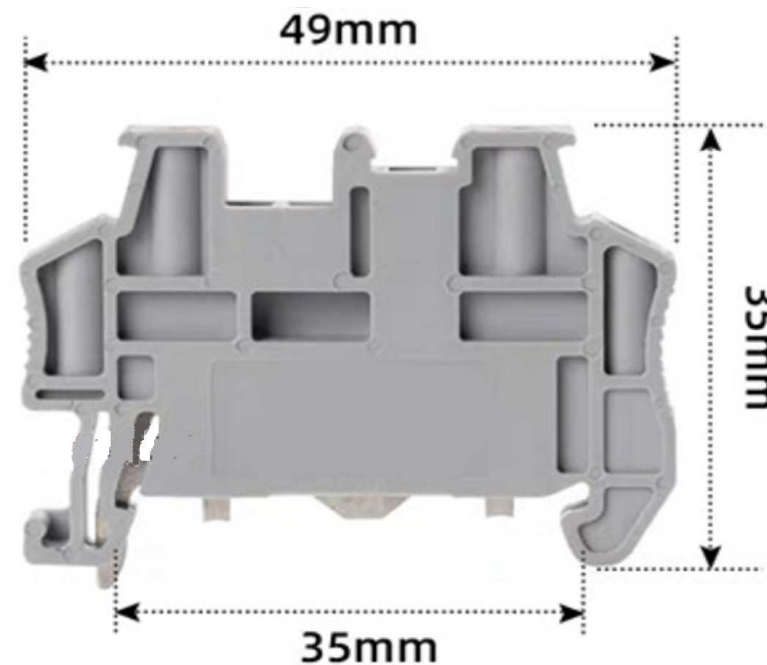
Technical Description

Material: PA66
 Wire Size:
 DIN-Rail Type: TS35
 Voltage
 Current:
 Withstanding Voltage
 Body Colour.
 Length: 49mm
 Width: 5,2mm
 Height: 35mm

Ordering Informations

Ordering Code Gray: A45022-GY

侧厚度:
5.2mm



DIN-Rail-Locking Devices T1

Part No.: A45022

DRW:	Jason	CHKD	Wilson	MATL:	Wilson	TOLERANCE	Mason	DATE	15.08.2021
APPD:	Schumi			FINISH	Jamy		Sheet No.		1 from 1

Customer: