



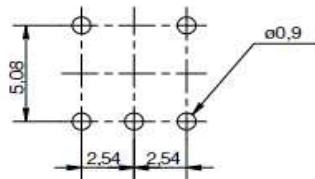
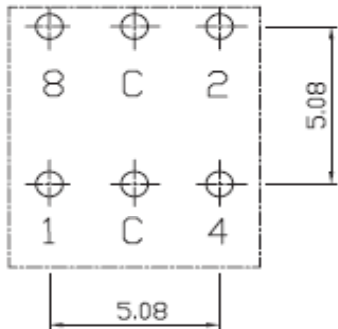
SPECIFICATION:

Voltage Rating: 42V
 Current Rating: 100mA
 Contact Resistance: $\leq 100\text{m}\Omega$ MAX.
 Insulation Resistance: $\geq 100\text{M}\Omega$ MIN.
 Operating Force: 250gf max
 Lifetime Cycles: 20000 cycles
 Operating Temperature: -25°C to $+85^{\circ}\text{C}$
 Solder Condition: Reflow Soldering :10s/260°C
 Iron Soldering: 4s/350°C
 Wave Soldering: 5s/280°C

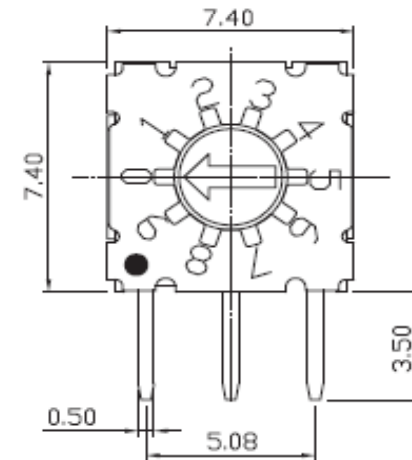
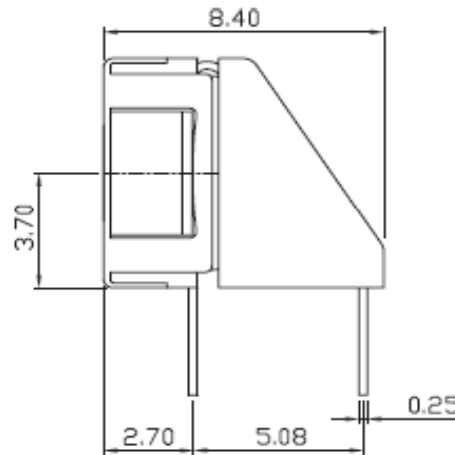
P.C.B Layout

Y=With Groundpin

N=Without Groundpin



Drawing



Rotary BCD-Switch
7,4x7,4mm

Part No.: **Q27049**

DRW:	Jason	CHKD	Wilson	MATL:	Wilson	TOLERANCE	Mason	DATE	07.07.2022
APPD:	Schumi			FINISH	Jamy		Sheet No.	1 from 2	

Customer:

EDCON-COMPONENTS



Ordering Informations

Serie	Total height w. Body	Groundpin PCB-Layout	Special function	ROHS	Packing					
Q27049	xxx	N	N	R	TU					

10R = 10Pos. Real Code	N = without Groundpin	N = No Special function	N = non ROHS	BU = Bulk Ware
16R = 16Pos. Real Code	Y = with Groundpin		R = ROHS conform	TY = Tray Packing
16H = 16Pos. Hexadecimal Code				TR102 = Tape/Reel Packing 1000PCS

Order Code 10R + 16R

		Real Coded				
		C	1	2	4	8
10 P o s i t i o n	0	●				
	1	●	●			
	2	●		●		
	3	●	●	●		
	4	●			●	
	5	●	●		●	
	6	●		●	●	
	7	●	●	●	●	
	8	●				●
	9	●	●			●
16 P o s i t i o n	A	●		●		●
	B	●	●	●		●
	C	●			●	●
	D	●	●		●	●
	E	●		●	●	●
	F	●	●	●	●	●

Order Code 16H

HEXADECIMAL CODE

POS.	0	1	2	3	4	5	6	7	8	9	A	B	C	D	E	F
C	●	●	●	●	●	●	●	●	●	●	●	●	●	●	●	●
1		●				●				●		●		●		●
2			●	●			●	●			●	●			●	●
4					●	●	●	●					●	●	●	●
8								●	●	●	●	●	●	●	●	●

Rotary BCD-Switch
7,4x7,4mm

Part No.: **Q27049**

DRW:	Jason	CHKD	Wilson	MATL:	Wilson	TOLERANCE	Mason	DATE	07.07.2022	Customer:
APPD:	Schumi			FINISH	Jamy			Sheet No.	2 from 2	