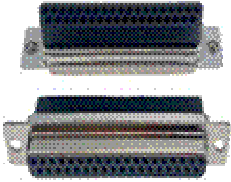


EDCON-COMPONENTS



Technical Description

Material:

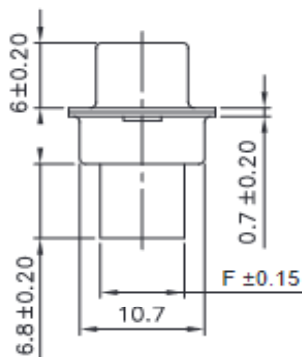
Insulator: PBT
 Flammability Rating: UL94-V0
 Max. Temperature: 220°C / 10Sec.
 Colour Housing: Black
 Shell: Steel Tin Plated
 Environmental:
 Operating Temperature: -55°C to + 105°C

Electrical

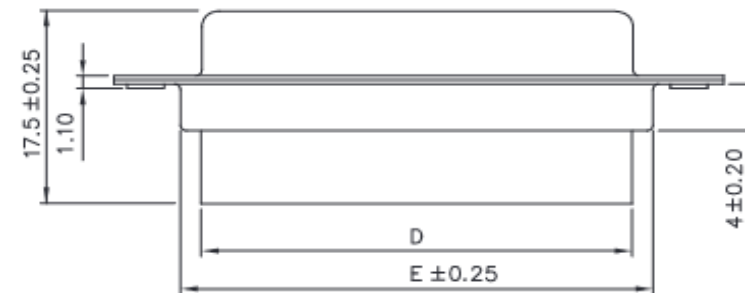
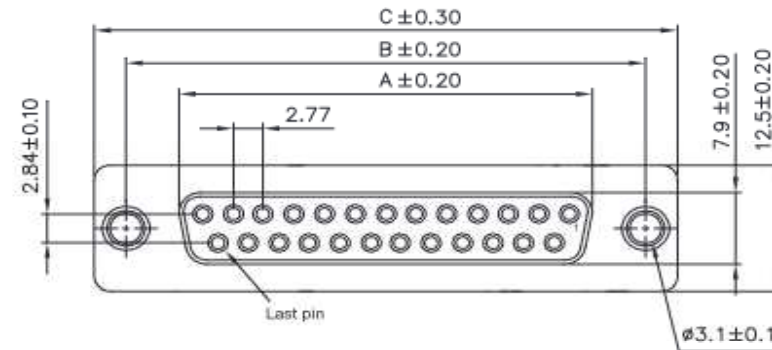
Current Rating: max. 3A
 Working Voltage: 125VAC
 Insulation Resistance: >5000MOhm
 Dielectric Withst. Voltage: 1000V AC/Min

Dimension

37P	mm
A	54,85
B	63,50
C	79,32
D	54,30
E	57,71
F	7,40



Drawing



D-SUB-Crimp-Terminal Housing Female

Part No.: **T24E5009**

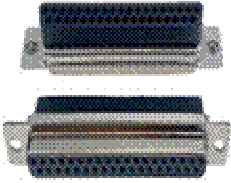
Customer:

DRW:	Jason	CHKD	Wilson	MATL:	Wilson	TOLERANCE	Mason	DATE	08.02.2022
APPD:	Schumi			FINISH	Jamy		Sheet No.		1 from 2

www.edcon-components.com

email: info@edcon-components.com

EDCON-COMPONENTS



Ordering Informations

Serie	No of contacts	Type	Shell Surface	Special	ROHS	Packing
T24E5009	37	F	TN	00	R	BU

37= No of Position	F= Female	TN= tinned Shell	00= No function	R= ROHS Conform	BU= Bulk-Ware
				N= NON ROHS Conform	IV= Individual Package

**D-SUB-Crimp-Terminal
Housing Female**

Part No.: **T24E5009**

Customer:

DRW:	Jason	CHKD	Wilson	MATL:	Wilson	TOLERANCE	Mason	DATE	08.02.2022
APPD:	Schumi			FINISH	Jamy		Sheet No.	2 from 2	