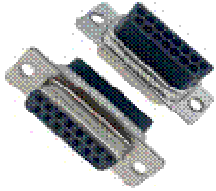


# EDCON-COMPONENTS



## Technical Description

### Material:

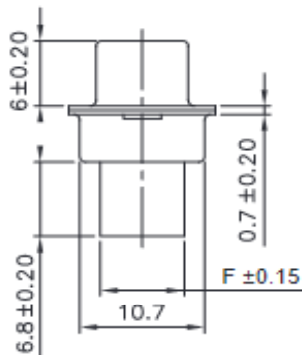
Insulator: PBT  
 Flammability Rating: UL94-V0  
 Max. Temperature: 220°C / 10Sec.  
 Colour Housing: Black  
 Shell: Steel Tin Plated  
 Environmental:  
 Operating Temperature: -55°C to + 105°C

### Electrical

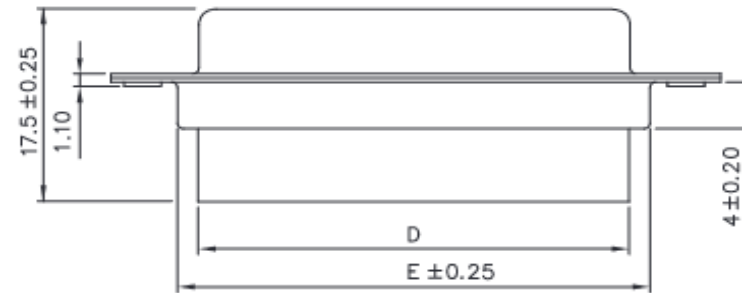
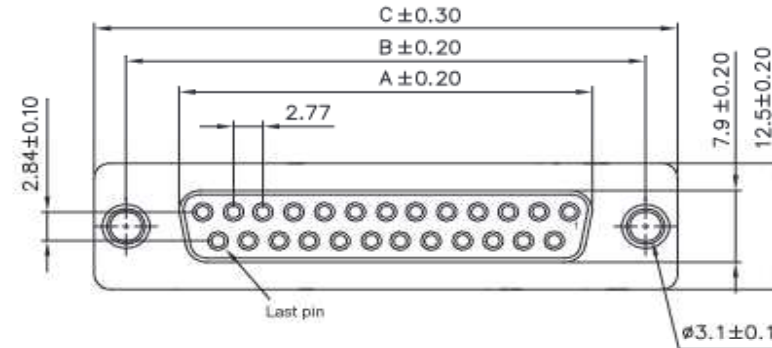
Current Rating: max. 3A  
 Working Voltage: 125VAC  
 Insulation Resistance: >5000MOhm  
 Dielectric Withst. Voltage: 1000V AC/Min

### Dimension

15P	mm
A	24,75
B	33,32
C	39,14
D	24,00
E	27,51
F	7,50



## Drawing



**D-SUB-Crimp-Terminal  
Housing Female**

Part No.: **T24E5007**

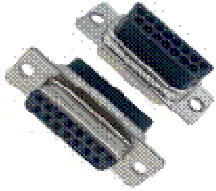
Customer:

DRW:	Jason	CHKD	Wilson	MATL:	Wilson	TOLERANCE	Mason	DATE	08.02.2022
APPD:	Schumi			FINISH	Jamy		Sheet No.		1 from 2

[www.edcon-components.com](http://www.edcon-components.com)

email: [info@edcon-components.com](mailto:info@edcon-components.com)

# EDCON-COMPONENTS



## Ordering Informations

Serie	No of contacts	Type	Shell Surface	Special	ROHS	Packing
T24E5007	15	F	TN	00	R	BU
	15= No of Position	F= Female	TN= tinned Shell	00= No function	R= ROHS Conform N= NON ROHS Conform	BU= Bulk-Ware IV= Individual Package

**D-SUB-Crimp-Terminal  
Housing Female**

Part No.: **T24E5007**

Customer:

DRW:	Jason	CHKD	Wilson	MATL:	Wilson	TOLERANCE	Mason	DATE	08.02.2022
APPD:	Schumi			FINISH	Jamy		Sheet No.	2 from 2	