



# DATA SHEET

D-SUB / Stamped Pin / Right-Angle 7,2mm US-Norm / Rivet w. Z-Shape / Front Screw 5,8mm Open Hex Rivet / EMI-FILTER / Female

## Serie: T24E4081

D-SUB / Stamped Pin / Right-Angle 7,2mm US-Norm / Rivet w. Z-Shape / Front Screw 5,8mm Open Hex Rivet / EMI-FILTER / Female

Serie No.: **T24E4081**

Customer:

DRW:	Jason	CHKD	Wilson	MATL:	Wilson	TOLERANCE	Mason	DATE	07.02.2023
APPD:	Schumi			FINISH	Jamy		Sheet No.		1 from 6

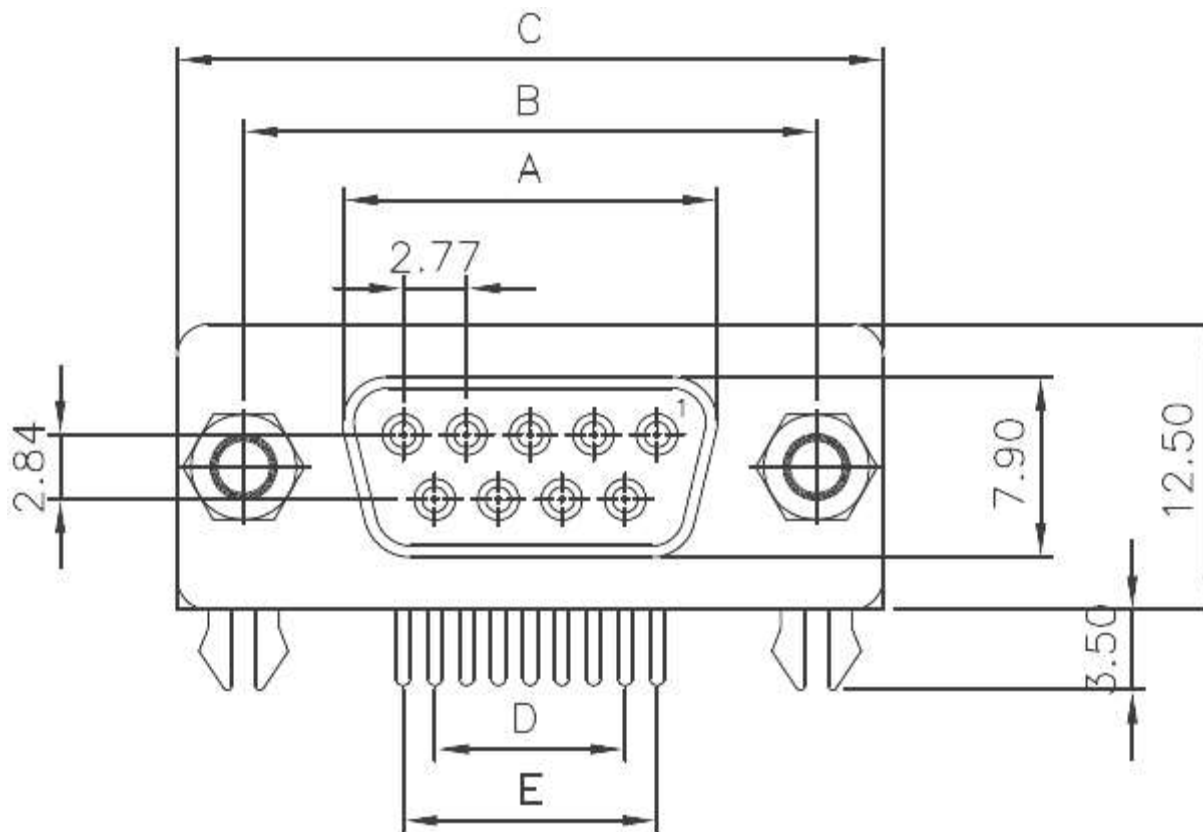
# EDCON-COMPONENTS



## Technical Informations

<b>Material</b>	
Insulator	PBT +30% GF rated UL-94-V0
Contact:	Brass
Shell:	Steel
Rivet / Boardlock::	Copper Alloy
Contact Plating:	Gold Flash over 40µ Nickel on all area, Contact area see Ordering
<b>Electrical</b>	
Opening Voltage:	250VAC max.
Current Rating:	3,0A max.
Contact Resistance:	15m Ω max.
Insulation Resistance:	3000M Ω min. @ 500VDC
Dielectric withstanding Voltage:	1000VAC 1 Minute
<b>Mechanical:</b>	
Operating Temperature Range:	.-55°C to + 105°C

## Technical Dimensions (mm)



Dimension Table of Connector (mm)

Position	A	B	C	D	E
<b>09 Male</b>	16,30	25,00	30,80	8,31	11,08
<b>15 Male</b>	24,60	33,30	39,20	16,62	19,39
<b>25 Male</b>	38,30	47,10	53,10	30,47	33,24
<b>37 Male</b>	54,80	63,50	69,40	47,09	49,86

Tolerances unless otherwise specified (mm)

X	X.X	X.XX	X.XXX	Angle
±0,5	±0,3	±0,2	±	±5°

D-SUB / Stamped Pin / Right-Angle 7,2mm US-Norm / Rivet w. Z-Shape / Front Screw 5,8mm Open Hex Rivet / EMI-FILTER / Female

Part No.: **T24E4081**

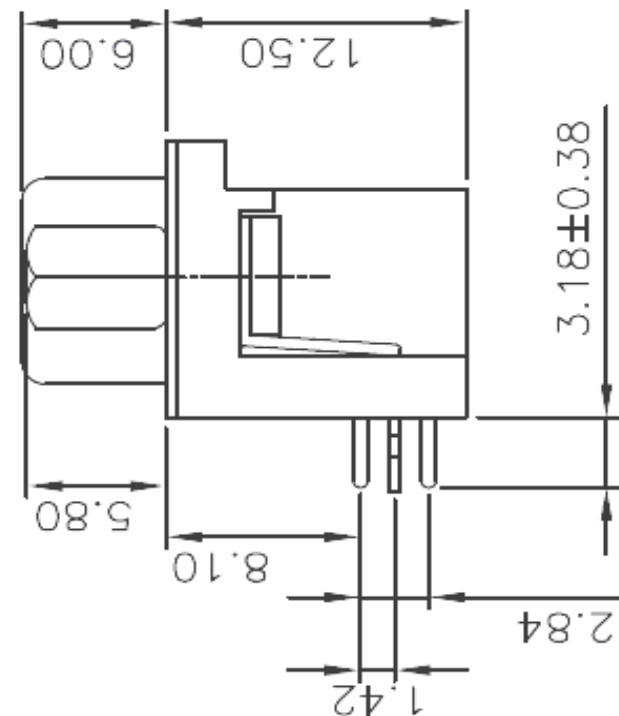
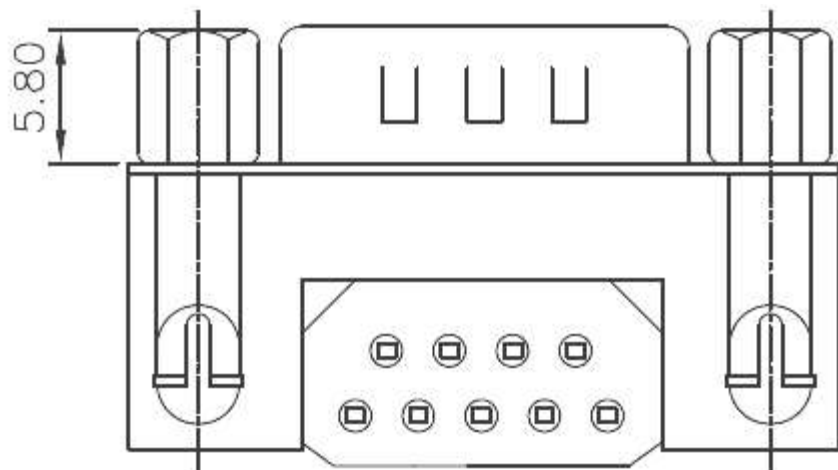
DRW:	Jason	CHKD	Wilson	MATL:	Wilson
APPD:	Schumi	182AE15MGPFEA3		FINISH	Jamy

TOLERANCE	Mason	DATE	07.02.2023
Sheet No.	2 from 6		

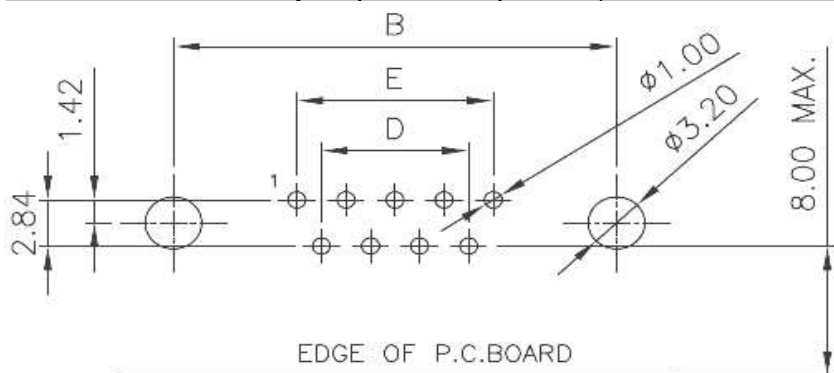
Customer:



## Technical Dimension (mm)



## P.C.B. Layout (TOP-VIEW) Tol. 0,10mm



D-SUB / Stamped Pin / Right-Angle 7,2mm US-Norm / Rivet w. Z-Shape / Front Screw 5,8mm  
Open Hex Rivet / EMI-FILTER / Female

Part No.: **T24E4081**

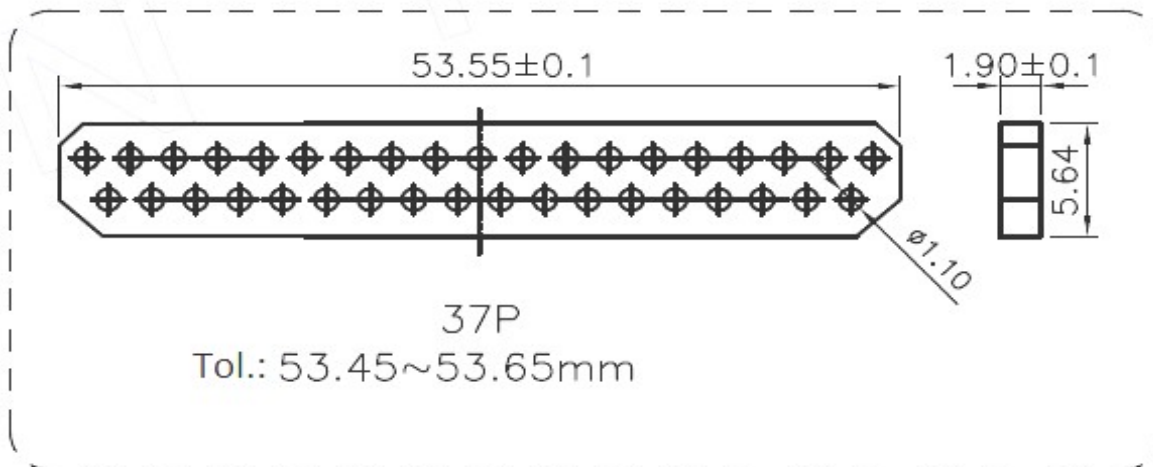
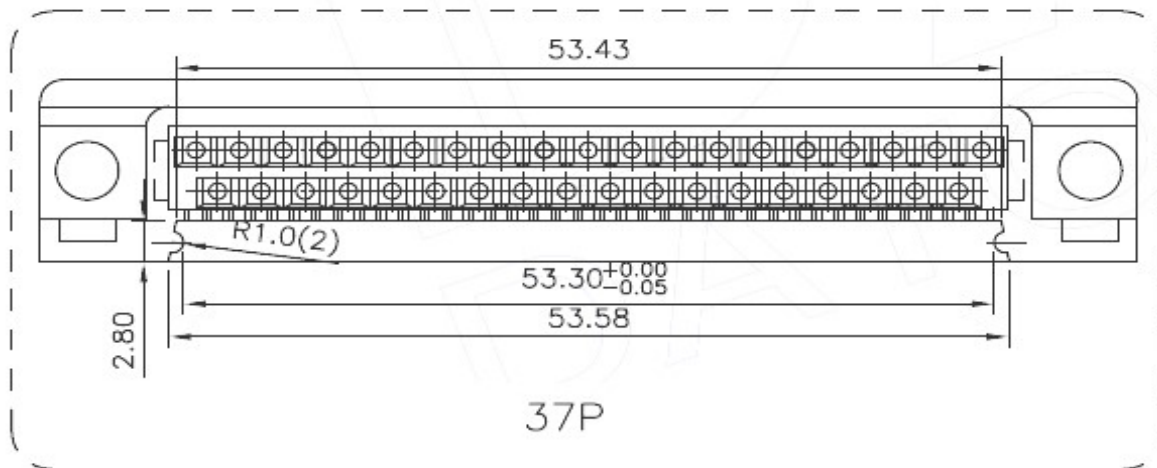
DRW:	Jason	CHKD	Wilson	MATL:	Wilson	TOLERANCE	Mason	DATE	07.02.2023
APPD:	Schumi			FINISH	Jamy		Sheet No.		3 from 6

[www.edcon-components.com](http://www.edcon-components.com)

email: [info@edcon-components.com](mailto:info@edcon-components.com)



## Technical Dimensions (mm)



D-SUB / Stamped Pin / Right-Angle 7,2mm US-Norm / Rivet w. Z-Shape / Front Screw 5,8mm  
Open Hex Rivet / EMI-FILTER / Female

Part No.: **T24E4081**

DRW:	Jason	CHKD	Wilson	MATL:	Wilson	TOLERANCE	Mason	DATE	07.02.2023
APPD:	Schumi			FINISH	Jamy		Sheet No.		4 from 6

Customer:

# EDCON-COMPONENTS



## Ordering Informations

Serie	No of Pin	Contact Type	Contact Plating	Shell Plating	Process Option	Parts Option	Parts Option (Screw)	Insulator Colour	ROHS	Packing Code
-------	-----------	--------------	-----------------	---------------	----------------	--------------	----------------------	------------------	------	--------------

<b>T24E4081</b>	<b>37</b>	<b>F</b>	<b>SF</b>	<b>T</b>	<b>B</b>	<b>F</b>	<b>A</b>	<b>BK</b>	<b>R</b>	<b>TY</b>
-----------------	-----------	----------	-----------	----------	----------	----------	----------	-----------	----------	-----------

<b>37= 37Pos.</b>	<b>F= Female</b>	<b>SF= Sel. Gold flash (Standard)</b>	<b>T= Tin + Dimple</b>	<b>B= Rivet with Boardlock / Z-Shape</b>	<b>F= Front Rivet 5,8mm Open-Hex-Rivet</b>	<b>A= NON Assesories</b>		<b>R= ROHS Conform</b>	<b>TY= Tray Packing</b>
		<b>S1= 3µ AU</b>						<b>N= NON ROHS Conform</b>	
		<b>S2= 5µ AU</b>					<b>BK= Black Colour</b>		<b>BU= Bulk-Ware</b>
		<b>S3= 15µ AU</b>					<b>BL= Blue Colour</b>		<b>IV= Individual Package</b>
		<b>S4= 30µ AU</b>							

D-SUB / Stamped Pin / Right-Angle 7,2mm US-Norm / Rivet w. Z-Shape / Front Screw 5,8mm Open Hex Rivet / EMI-FILTER / Female

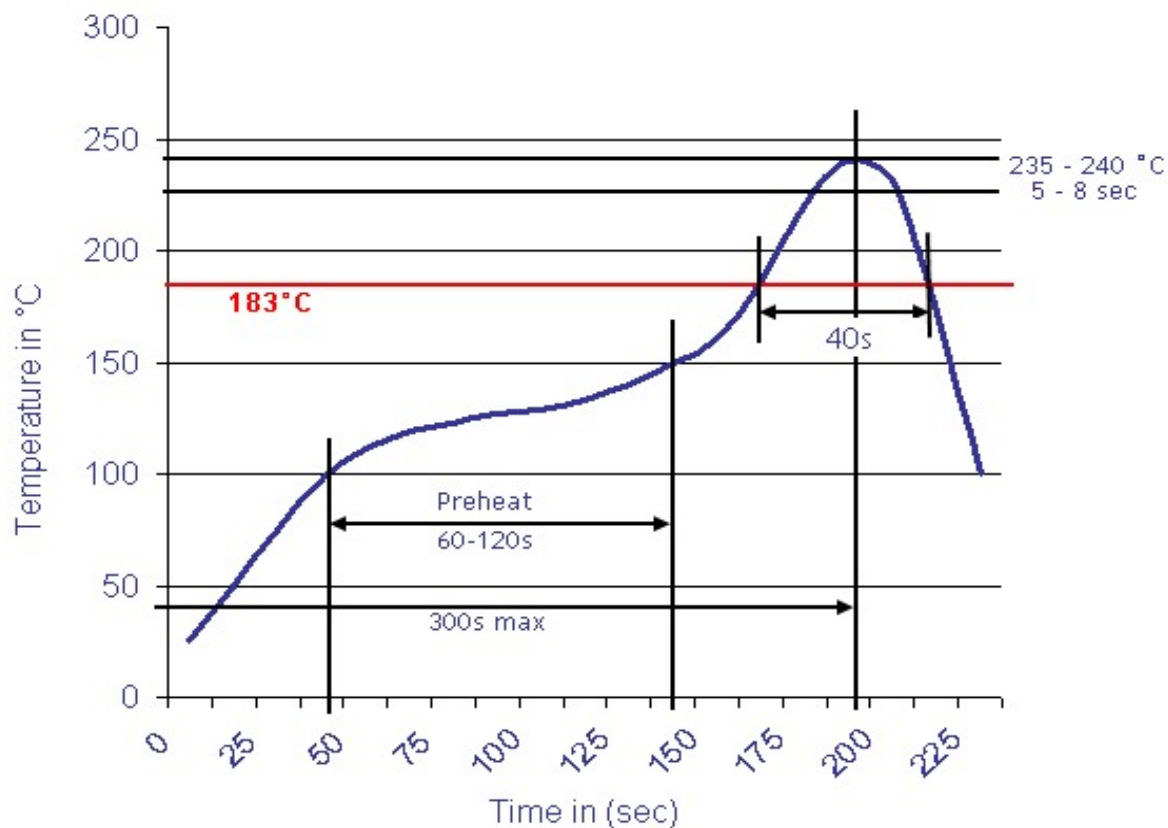
Part No.: **T24E4081**

DRW:	Jason	CHKD	Wilson	MATL:	Wilson	TOLERANCE	Mason	DATE	07.02.2023	Customer:
APPD:	Schumi			FINISH	Jamy		Sheet No.	5 from 6		



Soldering Profile Curve

Classification Reflow Profile (JEDEC J-STD-020C)



D-SUB / Stamped Pin / Right-Angle 7,2mm US-Norm / Rivet w. Z-Shape / Front Screw 5,8mm  
Open Hex Rivet / EMI-FILTER / Female

Part No.: **T24E4081**

DRW:	Jason	CHKD	Wilson	MATL:	Wilson	TOLERANCE	Mason	DATE	07.02.2023
APPD:	Schumi			FINISH	Jamy		Sheet No.		6 from 6

Customer: