

DATA SHEET

D-SUB / Stamped Pin / Right-Angle 7,2mm US-Norm / Rivet w. Z-Shape / Front Screw 5,8mm Open Hex Rivet / EMI-FILTER / Female

Serie: T24E4079

D-SUB / Stamped Pin / Right-Angle 7,2mm US-Norm / Rivet w. Z-Shape / Front Screw 5,8mm Open Hex Rivet / EMI-FILTER / Female

Serie No.: **T24E4079**

Customer:

DRW:	Jason	CHKD	Wilson	MATL:	Wilson	TOLERANCE	Mason	DATE	07.02.2023
APPD:	Schumi			FINISH	Jamy		Sheet No.		1 from 6

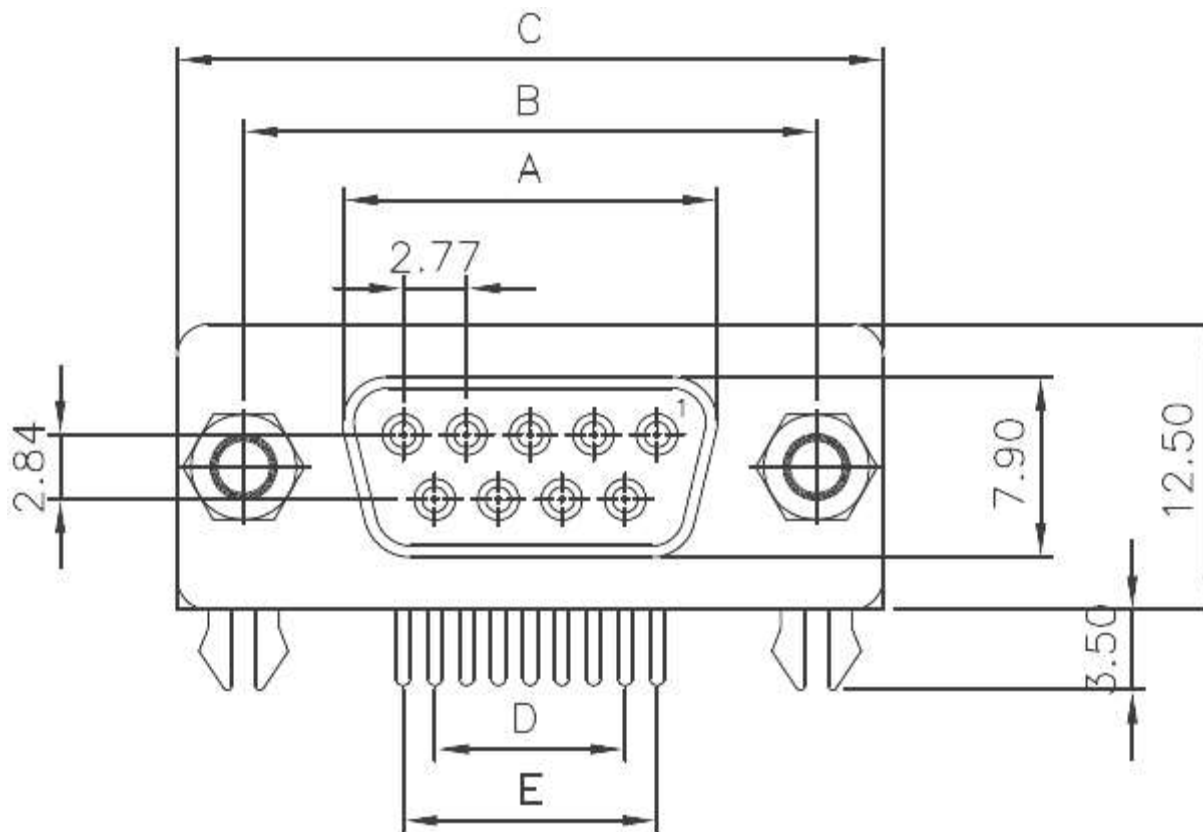
EDCON-COMPONENTS



Technical Informations

Material	
Insulator	PBT +30% GF rated UL-94-V0
Contact:	Brass
Shell:	Steel
Rivet / Boardlock::	Copper Alloy
Contact Plating:	Gold Flash over 40µ Nickel on all area, Contact area see Ordering
Electrical	
Opening Voltage:	250VAC max.
Current Rating:	3,0A max.
Contact Resistance:	15m Ω max.
Insulation Resistance:	3000M Ω min. @ 500VDC
Dielectric withstanding Voltage:	1000VAC 1 Minute
Mechanical:	
Operating Temperature Range:	.-55°C to + 105°C

Technical Dimensions (mm)



Dimension Table of Connector (mm)

Position	A	B	C	D	E
09 Male	16,30	25,00	30,80	8,31	11,08
15 Male	24,60	33,30	39,20	16,62	19,39
25 Male	38,30	47,10	53,10	30,47	33,24
37 Male	54,80	63,50	69,40	47,09	49,86

Tolerances unless otherwise specified (mm)

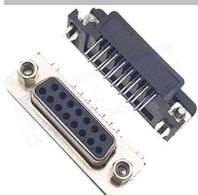
X	X.X	X.XX	X.XXX	Angle
±0,5	±0,3	±0,2	±	±5°

D-SUB / Stamped Pin / Right-Angle 7,2mm US-Norm / Rivet w. Z-Shape / Front Screw 5,8mm Open Hex Rivet / EMI-FILTER / Female

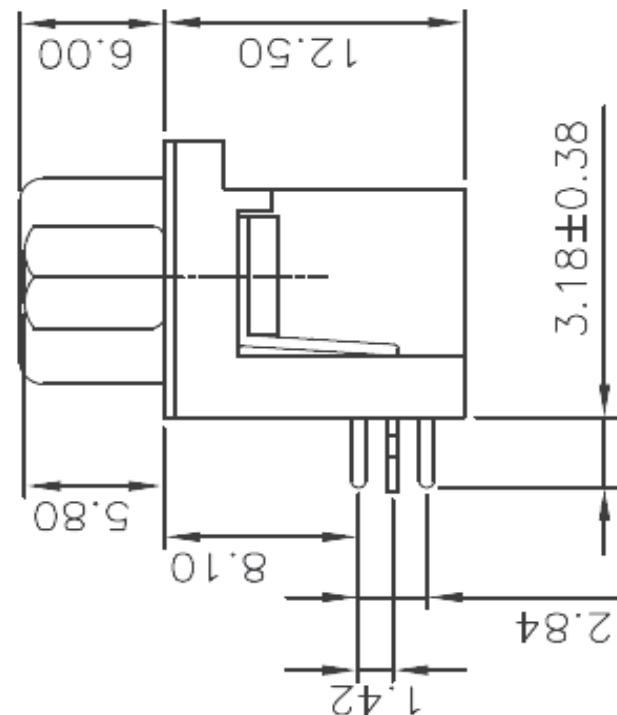
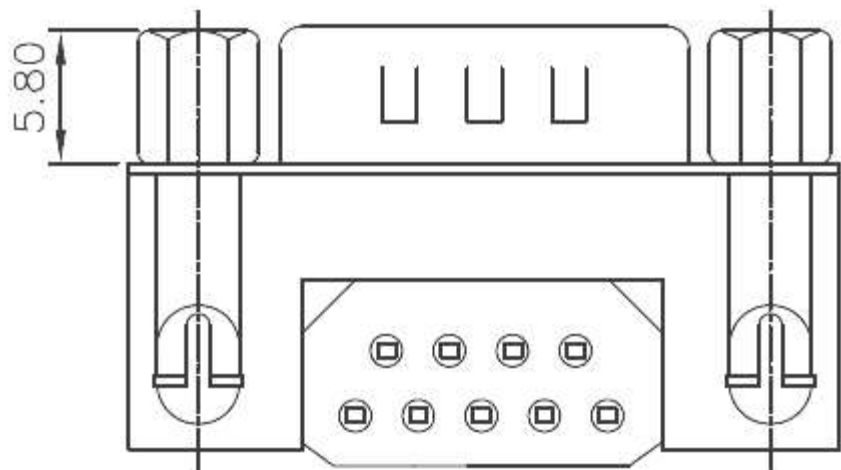
Part No.: **T24E4079**

DRW:	Jason	CHKD	Wilson	MATL:	Wilson	TOLERANCE	Mason	DATE	07.02.2023
APPD:	Schumi	182AE15MGPFEA3		FINISH	Jamy		Sheet No.	2 from 6	

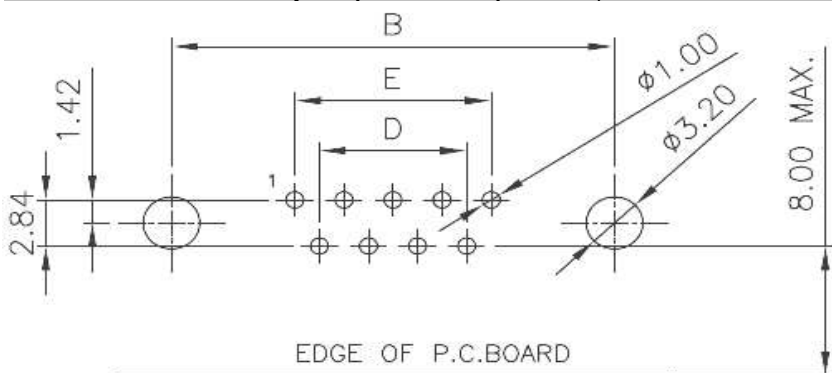
Customer:



Technical Dimension (mm)



P.C.B. Layout (TOP-VIEW) Tol. 0,10mm



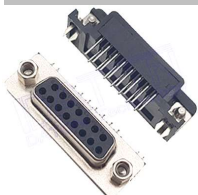
D-SUB / Stamped Pin / Right-Angle 7,2mm US-Norm / Rivet w. Z-Shape / Front Screw 5,8mm
Open Hex Rivet / EMI-FILTER / Female

Part No.: **T24E4079**

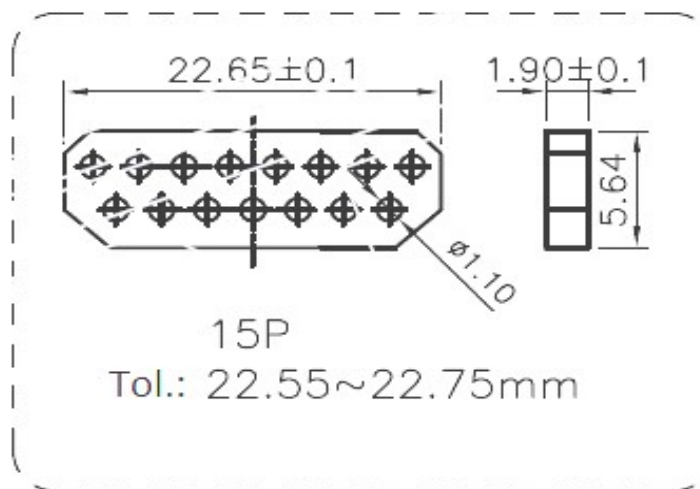
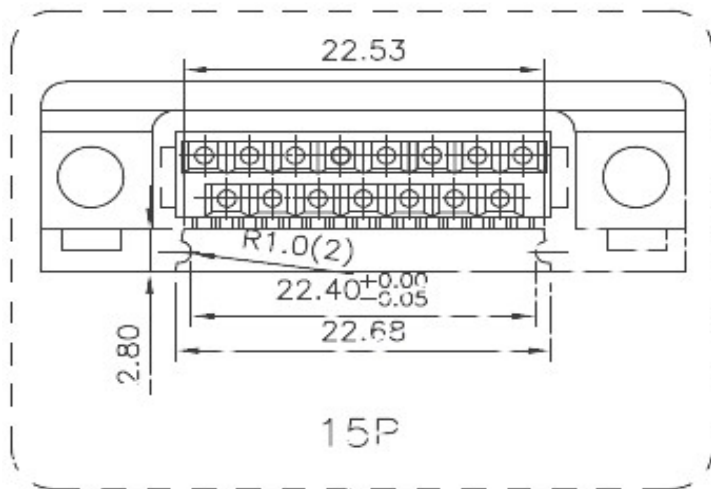
DRW:	Jason	CHKD	Wilson	MATL:	Wilson	TOLERANCE	Mason	DATE	07.02.2023
APPD:	Schumi			FINISH	Jamy		Sheet No.		3 from 6

www.edcon-components.com

email: info@edcon-components.com



Technical Dimensions (mm)



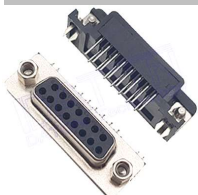
D-SUB / Stamped Pin / Right-Angle 7,2mm US-Norm / Rivet w. Z-Shape / Front Screw 5,8mm
Open Hex Rivet / EMI-FILTER / Female

Part No.: **T24E4079**

DRW:	Jason	CHKD	Wilson	MATL:	Wilson	TOLERANCE	Mason	DATE	07.02.2023
APPD:	Schumi			FINISH	Jamy		Sheet No.		4 from 6

Customer:

EDCON-COMPONENTS



Ordering Informations

Serie	No of Pin	Contact Type	Contact Plating	Shell Plating	Process Option	Parts Option	Parts Option (Screw)	Insulator Colour	ROHS	Packing Code
-------	-----------	--------------	-----------------	---------------	----------------	--------------	----------------------	------------------	------	--------------

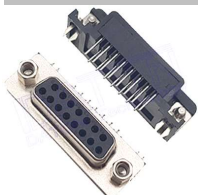
T24E4079	15	F	SF	T	B	F	A	BK	R	TY
-----------------	-----------	----------	-----------	----------	----------	----------	----------	-----------	----------	-----------

15= 15Pos.	F= Female	SF= Sel. Gold flash (Standard) S1= 3µ AU S2= 5µ AU S3= 15µ AU S4= 30µ AU	T= Tin + Dimple	B= Rivet with Boardlock / Z-Shape	F= Front Rivet 5,8mm Open-Hex-Rivet	A= NON Assesories	BK= Black Colour BL= Blue Colour	R= ROHS Conform N= NON ROHS Conform	TY= Tray Packing BU= Bulk-Ware IV= Individual Package
-------------------	------------------	---	------------------------	--	--	--------------------------	---	--	--

D-SUB / Stamped Pin / Right-Angle 7,2mm US-Norm / Rivet w. Z-Shape / Front Screw 5,8mm Open Hex Rivet / EMI-FILTER / Female

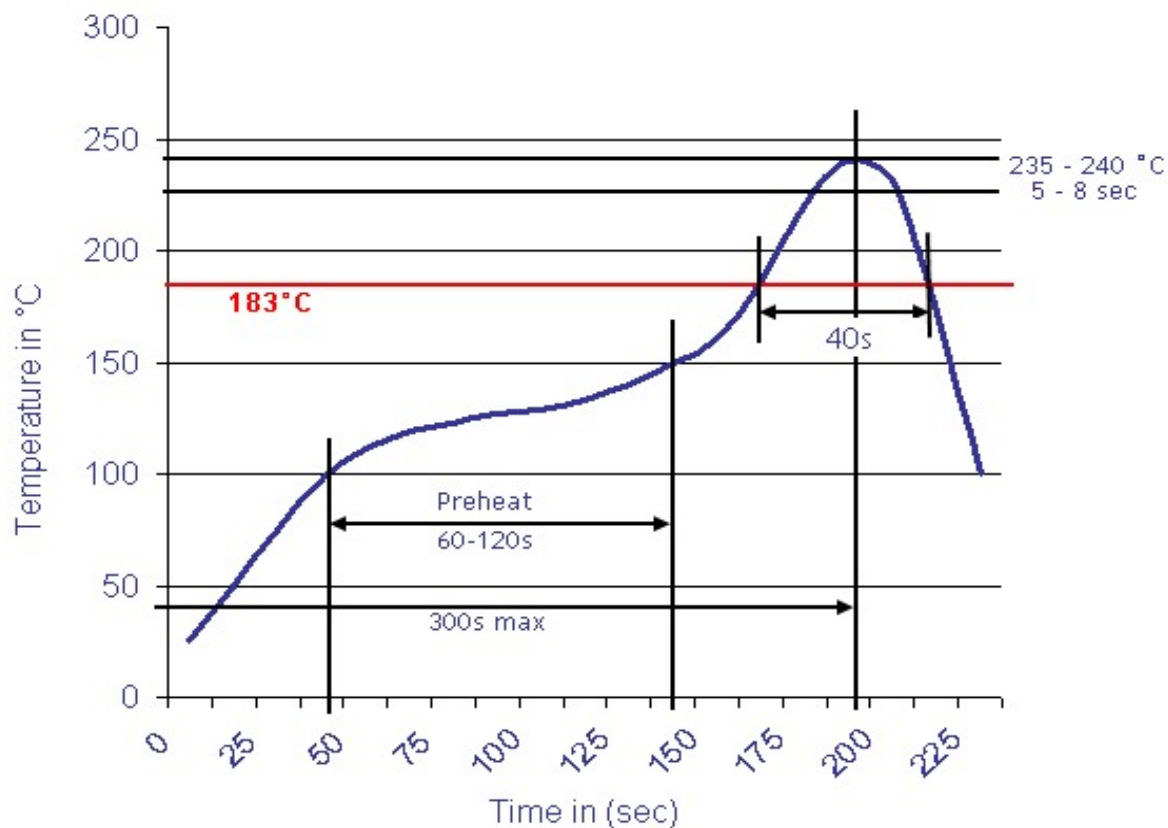
Part No.: **T24E4079**

DRW:	Jason	CHKD	Wilson	MATL:	Wilson	TOLERANCE	Mason	DATE	07.02.2023	Customer:
APPD:	Schumi			FINISH	Jamy		Sheet No.	5 from 6		



Soldering Profile Curve

Classification Reflow Profile (JEDEC J-STD-020C)



D-SUB / Stamped Pin / Right-Angle 7,2mm US-Norm / Rivet w. Z-Shape / Front Screw 5,8mm
Open Hex Rivet / EMI-FILTER / Female

Part No.: **T24E4079**

DRW:	Jason	CHKD	Wilson	MATL:	Wilson	TOLERANCE	Mason	DATE	07.02.2023
APPD:	Schumi			FINISH	Jamy		Sheet No.		6 from 6

Customer: