



# DATA SHEET

D-SUB / Stamped Pin / Right-Angle 7,2mm US-Norm / Rivet w. Z-Shape / Front Screw 5,8mm Open Hex Rivet / EMI-FILTER / Male

## Serie: T24E4074

D-SUB / Stamped Pin / Right-Angle 7,2mm US-Norm / Rivet w. Z-Shape / Front Screw 5,8mm Open Hex Rivet / EMI-FILTER / Male

Serie No.: **T24E4074**

Customer:

DRW:	Jason	CHKD	Wilson	MATL:	Wilson	TOLERANCE	Mason	DATE	07.02.2023
APPD:	Schumi			FINISH	Jamy		Sheet No.		1 from 6

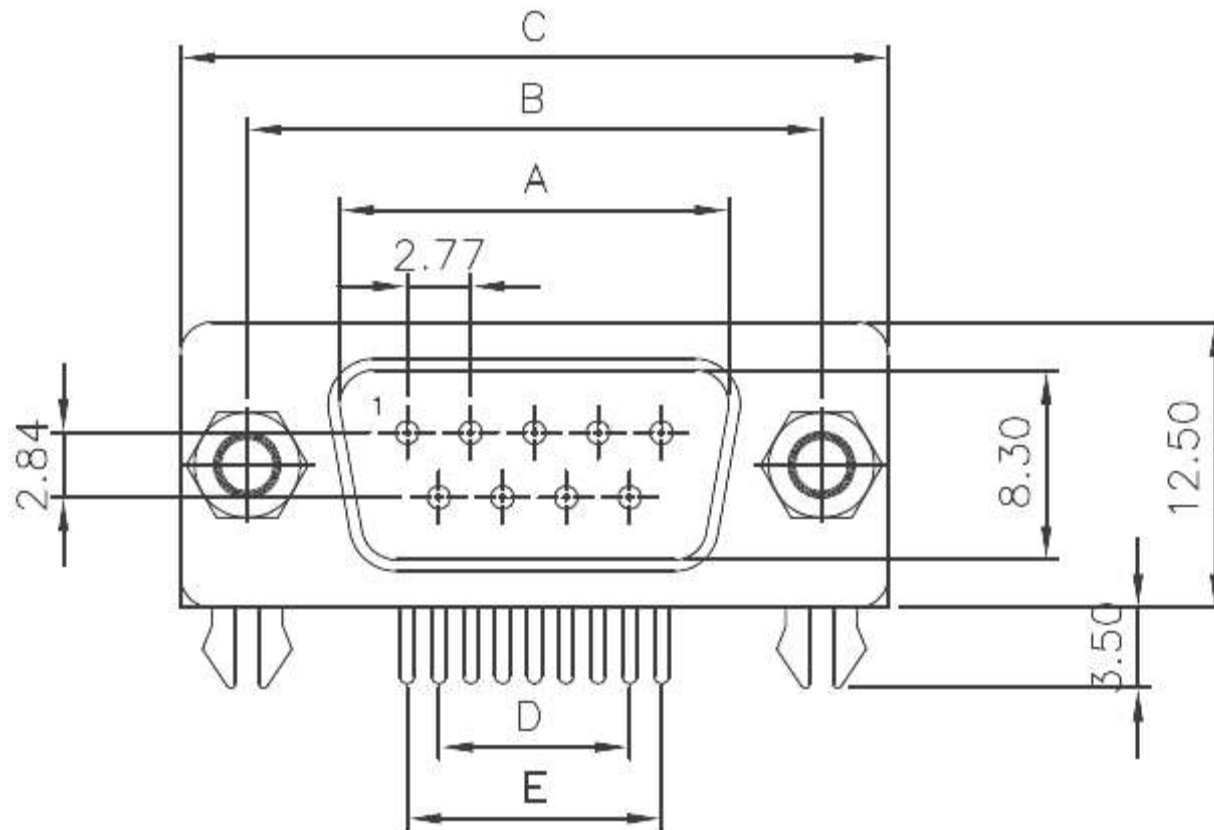
# EDCON-COMPONENTS



## Technical Informations

<b>Material</b>	
Insulator	PBT +30% GF rated UL-94-V0
Contact:	Brass
Shell:	Steel
Rivet / Boardlock::	Copper Alloy
Contact Plating:	Gold Flash over 40µ Nickel on all area, Contact area see Ordering
<b>Electrical</b>	
Opening Voltage:	250VAC max.
Current Rating:	3,0A max.
Contact Resistance:	15m Ω max.
Insulation Resistance:	3000M Ω min. @ 500VDC
Dielectric withstanding Voltage:	1000VAC 1 Minute
<b>Mechanical:</b>	
Operating Temperature Range:	.-55°C to + 105°C

## Technical Dimensions (mm)



Dimension Table of Connector (mm)

Position	A	B	C	D	E
<b>09 Male</b>	16,92	25,00	30,80	8,31	11,08
<b>15 Male</b>	25,25	33,30	39,20	16,62	19,39
<b>25 Male</b>	38,96	47,10	53,10	30,47	33,24
<b>37 Male</b>	55,42	63,50	69,40	47,09	49,86

### Tolerances unless otherwise specified (mm)

X	X.X	X.XX	X.XXX	Angle
±0,5	±0,3	±0,2	±	±5°

D-SUB / Stamped Pin / Right-Angle 7,2mm US-Norm / Rivet w. Z-Shape / Front Screw 5,8mm  
Open Hex Rivet / EMI-FILTER / Male

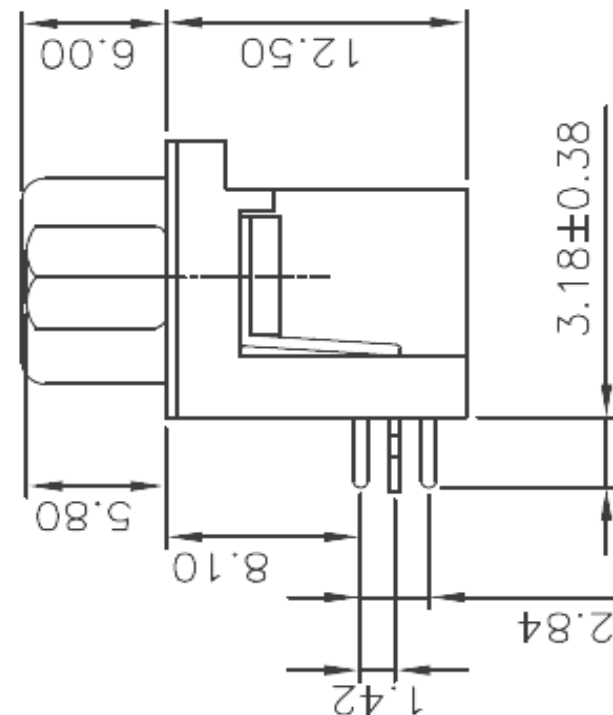
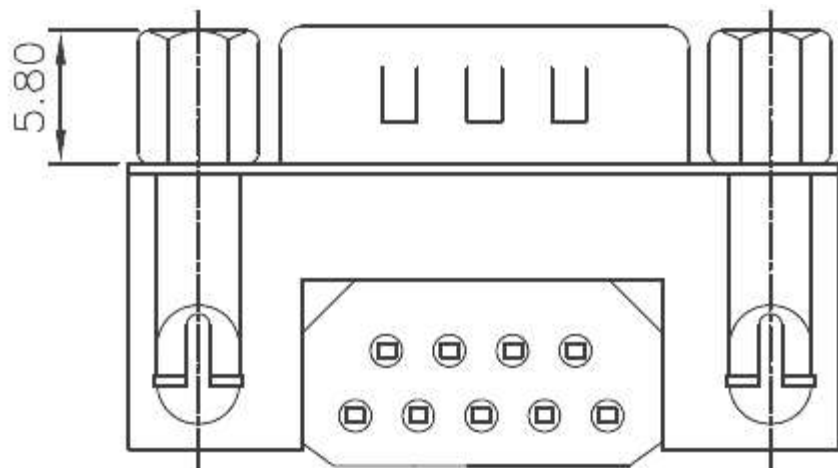
Part No.: **T24E4074**

DRW:	Jason	CHKD	Wilson	MATL:	Wilson	TOLERANCE	Mason	DATE	07.02.2023
APPD:	Schumi	182AE15MGPFEA3		FINISH	Jamy		Sheet No.	2 from 6	

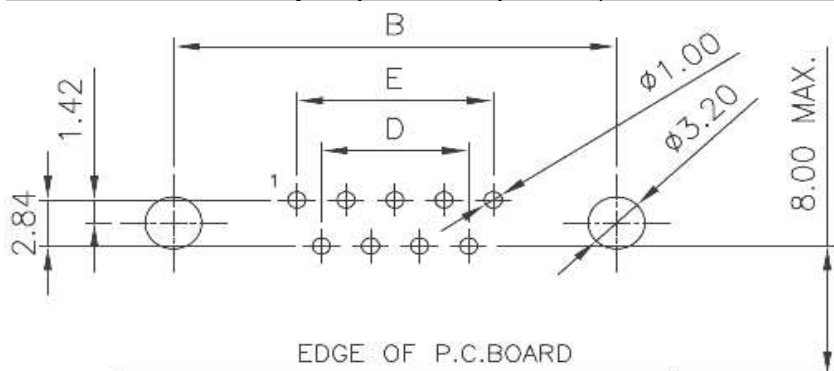
Customer:



## Technical Dimension (mm)



## P.C.B. Layout (TOP-VIEW) Tol. 0,10mm



D-SUB / Stamped Pin / Right-Angle 7,2mm US-Norm / Rivet w. Z-Shape / Front Screw 5,8mm Open Hex Rivet / EMI-FILTER / Male

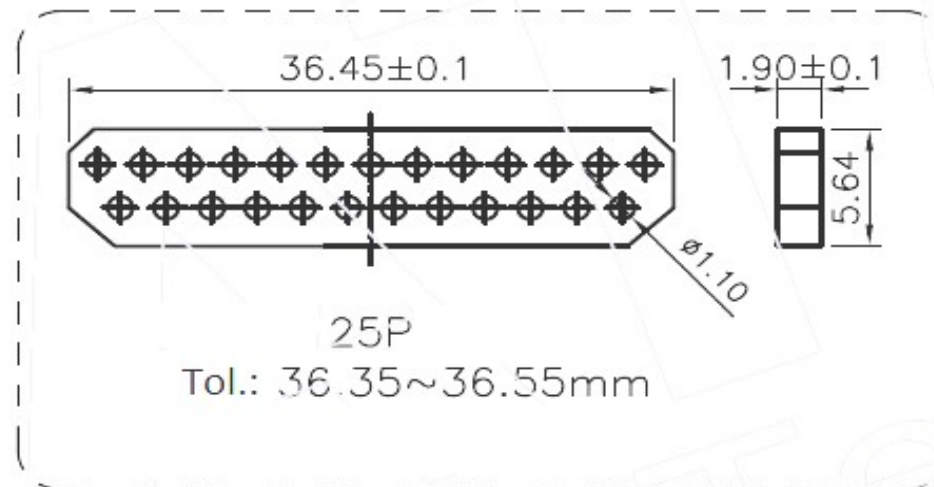
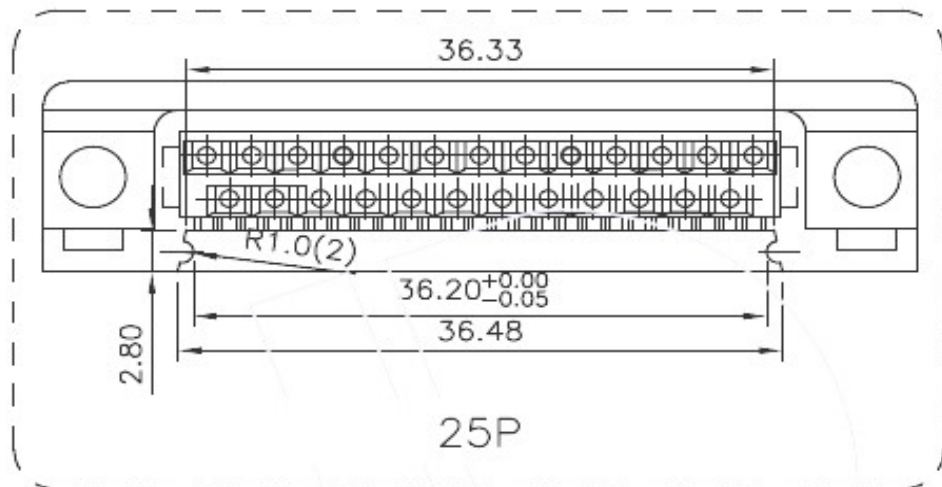
Part No.: **T24E4074**

DRW:	Jason	CHKD	Wilson	MATL:	Wilson	TOLERANCE	Mason	DATE	07.02.2023
APPD:	Schumi			FINISH	Jamy		Sheet No.		3 from 6

# EDCON-COMPONENTS



## Technical Dimensions (mm)



D-SUB / Stamped Pin / Right-Angle 7,2mm US-Norm / Rivet w. Z-Shape / Front Screw 5,8mm  
Open Hex Rivet / EMI-FILTER / Male

Part No.: **T24E4074**

DRW:	Jason	CHKD	Wilson	MATL:	Wilson	TOLERANCE	Mason	DATE	07.02.2023	Customer:
APPD:	Schumi			FINISH	Jamy		Sheet No.	4 from 6		

[www.edcon-components.com](http://www.edcon-components.com)

email: [info@edcon-components.com](mailto:info@edcon-components.com)

# EDCON-COMPONENTS



## Ordering Informations

Serie	No of Pin	Contact Type	Contact Plating	Shell Plating	Process Option	Parts Option	Parts Option (Screw)	Insulator Colour	ROHS	Packing Code
-------	-----------	--------------	-----------------	---------------	----------------	--------------	----------------------	------------------	------	--------------

<b>T24E4074</b>	<b>25</b>	<b>M</b>	<b>SF</b>	<b>T</b>	<b>B</b>	<b>F</b>	<b>A</b>	<b>BK</b>	<b>R</b>	<b>TY</b>
-----------------	-----------	----------	-----------	----------	----------	----------	----------	-----------	----------	-----------

<b>25=</b> 25Pos.	<b>M=</b> Male	<b>SF=</b> Sel. Gold flash (Standard)	<b>T=</b> Tin + Dimple	<b>B=</b> Rivet with Boardlock / Z-Shape	<b>F=</b> Front Rivet 5,8mm Open-Hex-Rivet	<b>A=</b> NON Assesories		<b>R=</b> ROHS Conform	<b>TY=</b> Tray Packing
		<b>S1=</b> 3µ AU						<b>N=</b> NON ROHS Conform	
		<b>S2=</b> 5µ AU					<b>BK=</b> Black Colour		<b>BU=</b> Bulk-Ware
		<b>S3=</b> 15µ AU					<b>BL=</b> Blue Colour		<b>IV=</b> Individual Package
		<b>S4=</b> 30µ AU							

D-SUB / Stamped Pin / Right-Angle 7,2mm US-Norm / Rivet w. Z-Shape / Front Screw 5,8mm Open Hex Rivet / EMI-FILTER / Male

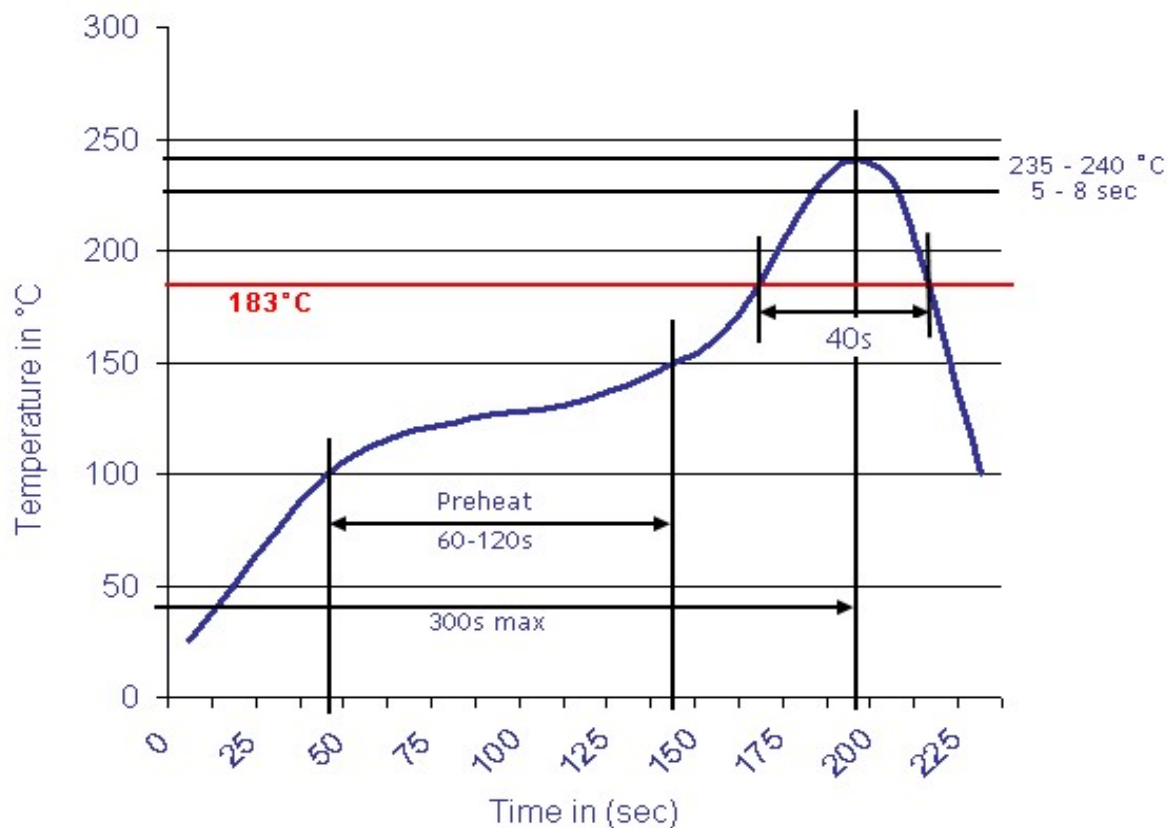
Part No.: **T24E4074**

DRW:	Jason	CHKD	Wilson	MATL:	Wilson	TOLERANCE	Mason	DATE	07.02.2023	Customer:
APPD:	Schumi			FINISH	Jamy		Sheet No.	5 from 6		



Soldering Profile Curve

Classification Reflow Profile (JEDEC J-STD-020C)



D-SUB / Stamped Pin / Right-Angle 7,2mm US-Norm / Rivet w. Z-Shape / Front Screw 5,8mm  
Open Hex Rivet / EMI-FILTER / Male

Part No.: **T24E4074**

DRW:	Jason	CHKD	Wilson	MATL:	Wilson	TOLERANCE	Mason	DATE	07.02.2023
APPD:	Schumi			FINISH	Jamy		Sheet No.		6 from 6

Customer: