



DATA SHEET

D-SUB / Stamped Pin / Right-Angle 7,2mm US-Norm / Fixed-Front-Rivet /4-Prong Boardlock Z-Shape / EMI-FILTER / Female

Serie: T24E4069

D-SUB / Stamped Pin / Right-Angle 7,2mm US-Norm / Fixed-Front-Rivet /4-Prong Boardlock Z-Shape / EMI-FILTER / Female

Serie No.: **T24E4069**

Customer:

| | | | | | | | | | |
|-------|--------|------|--------|--------|--------|-----------|-----------|------|------------|
| DRW: | Jason | CHKD | Wilson | MATL: | Wilson | TOLERANCE | Mason | DATE | 07.02.2023 |
| APPD: | Schumi | | | FINISH | Jamy | | Sheet No. | | 1 from 6 |

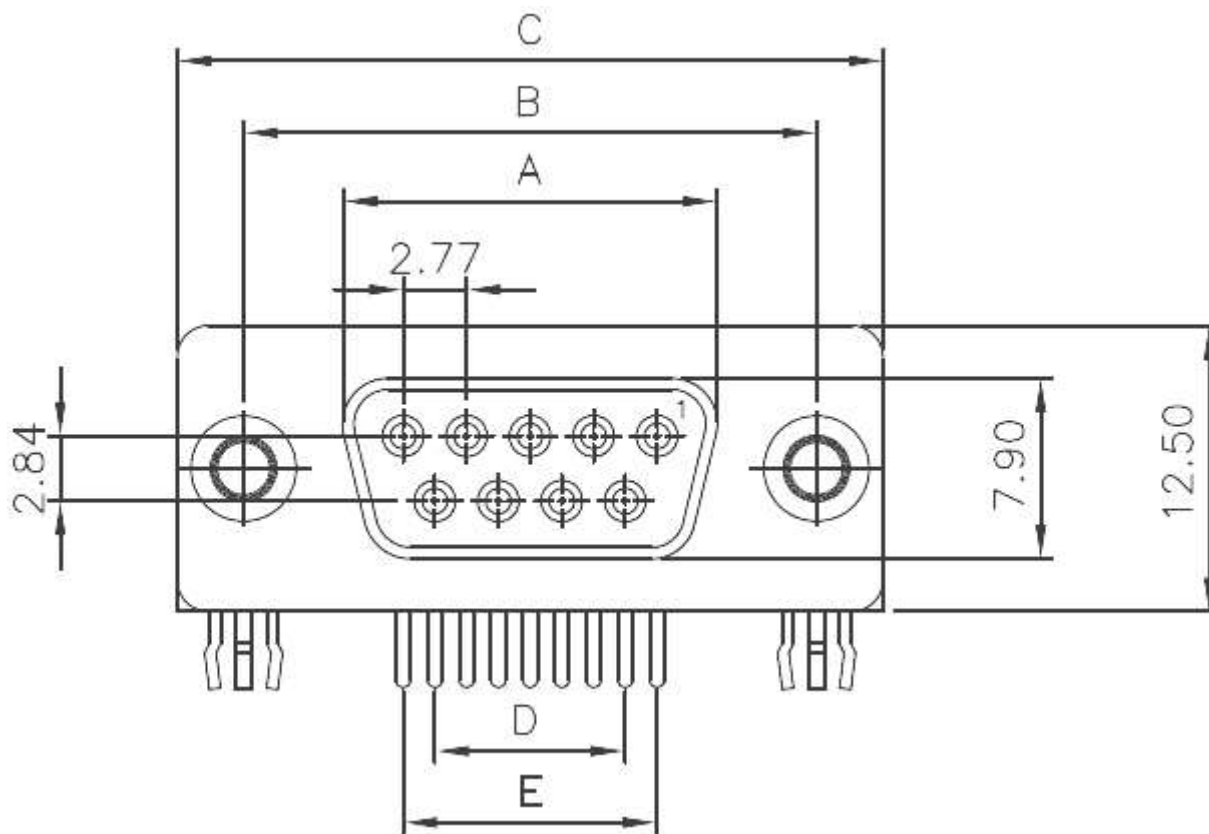
EDCON-COMPONENTS



Technical Informations

| | |
|----------------------------------|---|
| Material | |
| Insulator | PBT +30% GF rated UL-94-V0 |
| Contact: | Brass |
| Shell: | Steel |
| Rivet / Boardlock:: | Copper Alloy |
| | |
| Contact Plating: | Gold Flash over 40µ Nickel on all area, Contact area see Ordering |
| | |
| Electrical | |
| Opening Voltage: | 250VAC max. |
| Current Rating: | 3,0A max. |
| Contact Resistance: | 15m Ω max. |
| Insulation Resistance: | 3000M Ω min. @ 500VDC |
| Dielectric withstanding Voltage: | 1000VAC 1 Minute |
| | |
| Mechanical: | |
| Operating Temperature Range: | .-55°C to + 105°C |

Technical Dimensions (mm)



Dimension Table of Connector (mm)

| Position | A | B | C | D | E |
|----------------|-------|-------|-------|-------|-------|
| 09 Male | 16,30 | 25,00 | 30,80 | 8,31 | 11,08 |
| 15 Male | 24,60 | 33,30 | 39,20 | 16,62 | 19,39 |
| 25 Male | 38,30 | 47,10 | 53,10 | 30,47 | 33,24 |
| 37 Male | 54,80 | 63,50 | 69,40 | 47,09 | 49,86 |

Tolerances unless otherwise specified (mm)

| X | X.X | X.XX | X.XXX | Angle |
|------|------|------|-------|-------|
| ±0,5 | ±0,3 | ±0,2 | ± | ±5° |

D-SUB / Stamped Pin / Right-Angle 7,2mm US-Norm / Fixed-Front-Rivet /4-Prong Boardlock Z-Shape / EMI-FILTER / Female

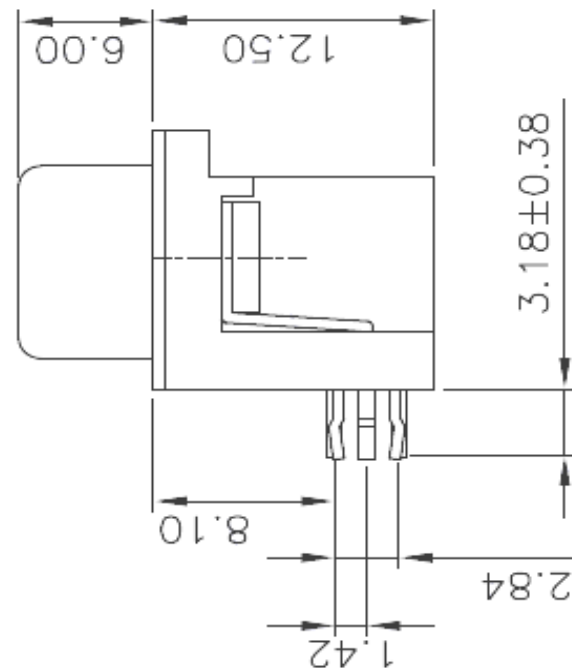
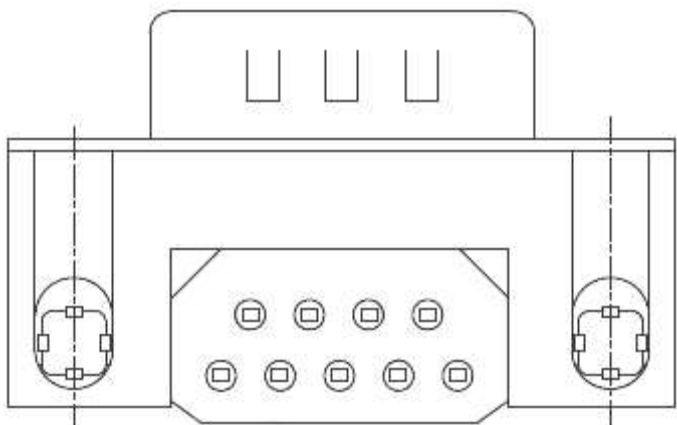
Part No.: **T24E4069**

| | | | | | | | | | |
|-------|--------|-----------------|--------|--------|--------|-----------|-----------|----------|------------|
| DRW: | Jason | CHKD | Wilson | MATL: | Wilson | TOLERANCE | Mason | DATE | 07.02.2023 |
| APPD: | Schumi | 182AE15MGPF EA3 | | FINISH | Jamy | | Sheet No. | 2 from 6 | |

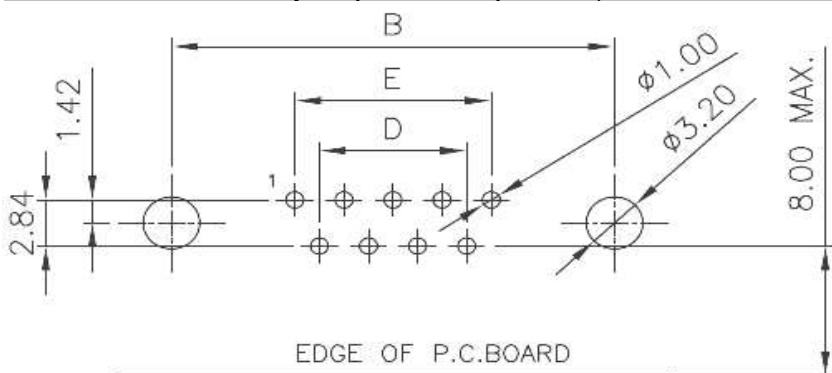
Customer:



Technical Dimension (mm)



P.C.B. Layout (TOP-VIEW) Tol. 0,10mm



D-SUB / Stamped Pin / Right-Angle 7,2mm US-Norm / Fixed-Front-Rivet / 4-Prong Boardlock Z-Shape / EMI-FILTER / Female

Part No.: **T24E4069**

| | | | | | | | | | |
|-------|--------|------|--------|--------|--------|-----------|-----------|------|------------|
| DRW: | Jason | CHKD | Wilson | MATL: | Wilson | TOLERANCE | Mason | DATE | 07.02.2023 |
| APPD: | Schumi | | | FINISH | Jamy | | Sheet No. | | 3 from 6 |

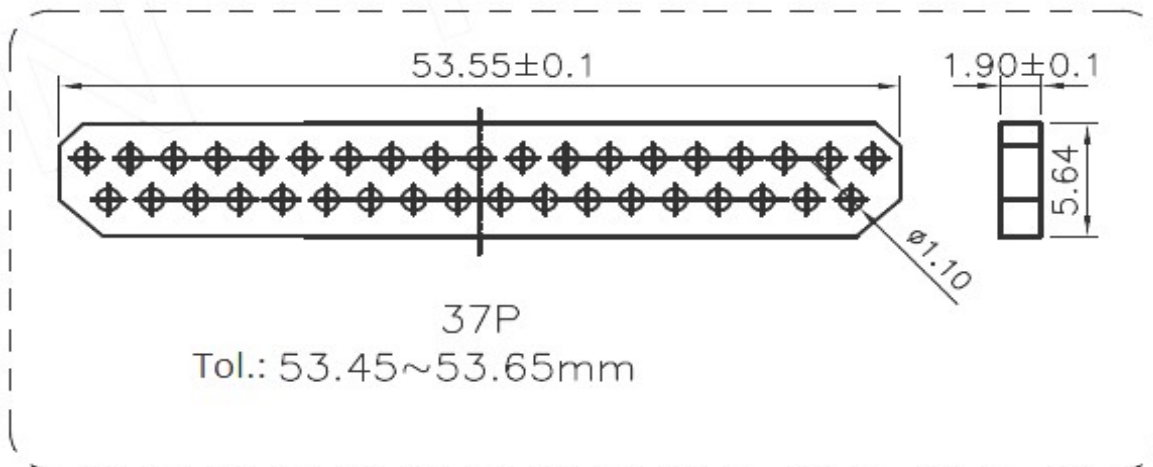
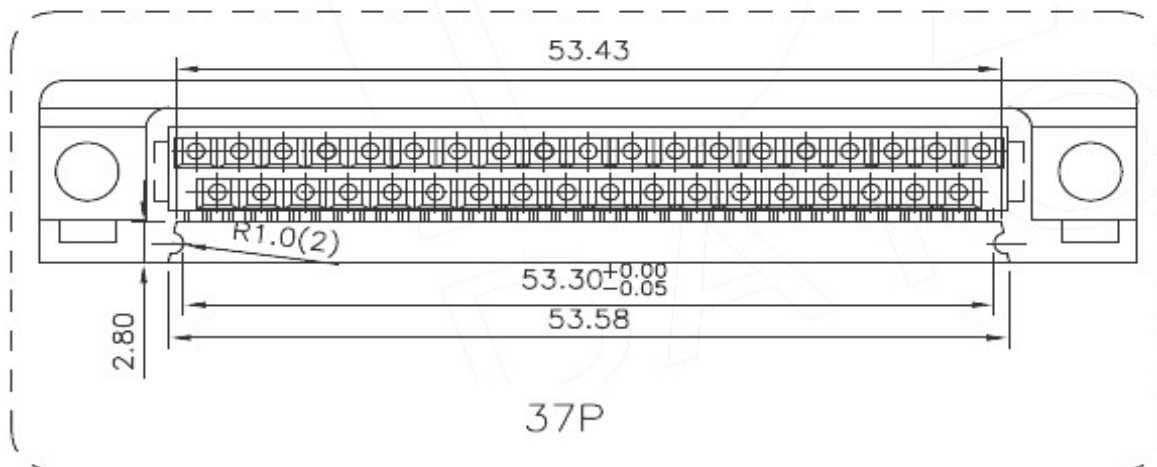
www.edcon-components.com

email: info@edcon-components.com

EDCON-COMPONENTS



Technical Dimensions (mm)



D-SUB / Stamped Pin / Right-Angle 7,2mm US-Norm / Fixed-Front-Rivet / 4-Prong Boardlock Z-Shape / EMI-FILTER / Female

Part No.: **T24E4069**

| | | | | | | | | | | |
|-------|--------|------|--------|--------|--------|-----------|-----------|----------|------------|-----------|
| DRW: | Jason | CHKD | Wilson | MATL: | Wilson | TOLERANCE | Mason | DATE | 07.02.2023 | Customer: |
| APPD: | Schumi | | | FINISH | Jamy | | Sheet No. | 4 from 6 | | |

www.edcon-components.com

email: info@edcon-components.com

EDCON-COMPONENTS



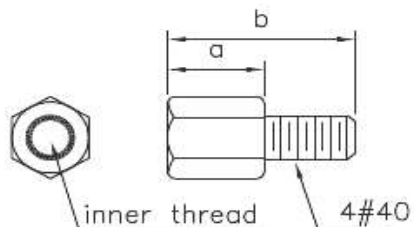
Ordering Informations

| Serie | No of Pin | Contact Type | Contact Plating | Shell Plating | Process Option | Parts Option | Parts Option (Screw) | Insulator Colour | ROHS | Packing Code |
|-------|-----------|--------------|-----------------|---------------|----------------|--------------|----------------------|------------------|------|--------------|
|-------|-----------|--------------|-----------------|---------------|----------------|--------------|----------------------|------------------|------|--------------|

| | | | | | | | | | | |
|-----------------|-----------|----------|-----------|----------|----------|----------|----------|-----------|----------|-----------|
| T24E4069 | 37 | F | SF | T | U | B | A | BK | R | TY |
|-----------------|-----------|----------|-----------|----------|----------|----------|----------|-----------|----------|-----------|

| | | | | | | | | | |
|-------------------|------------------|---------------------------------------|------------------------|--|---------------------------------|---------------------------------------|-------------------------|----------------------------|-------------------------------|
| 37= 37Pos. | F= Female | SF= Sel. Gold flash (Standard) | T= Tin + Dimple | U= Rivet with 4 Prong Boardlock Z-Shape | B= Thread Rivet UNC 4-40 | A= NON Assesories | | R= ROHS Conform | TY= Tray Packing |
| | | S1= 3µ AU | | | | | | N= NON ROHS Conform | |
| | | S2= 5µ AU | | | | | BK= Black Colour | | BU= Bulk-Ware |
| | | S3= 15µ AU | | | | | BL= Blue Colour | | |
| | | S4= 30µ AU | | | | C= Fixed-Hex-Screws 4,8x11,8mm | | | IV= Individual Package |
| | | | | | | D= Loose-Hex-Screws 5,8x12,0mm | | | |
| | | | | | | E= Fixed-Hex-Screws 5,8x12,0mm | | | |

Parts Option (Screw)



| parts no. | DIM. a | DIM. b | inner thread |
|-----------|--------|--------|--------------|
| C | 4.8 | 11.8 | 4#40 |
| E | 5.8 | 12.0 | 4#40 |

D-SUB / Stamped Pin / Right-Angle 7,2mm US-Norm / Fixed-Front-Rivet /4-Prong Boardlock Z-Shape / EMI-FILTER / Female

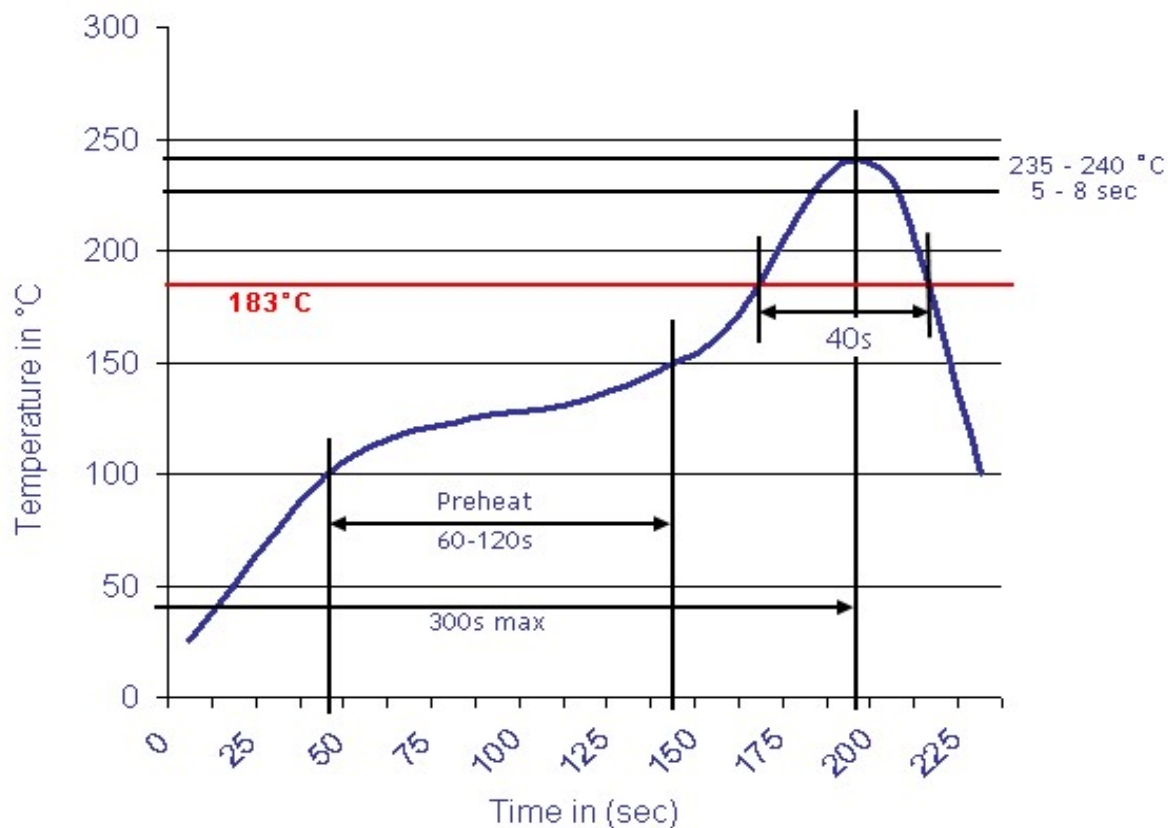
Part No.: **T24E4069**

| | | | | | | | | | | |
|-------|--------|------|--------|--------|--------|-----------|-----------|----------|------------|-----------|
| DRW: | Jason | CHKD | Wilson | MATL: | Wilson | TOLERANCE | Mason | DATE | 07.02.2023 | Customer: |
| APPD: | Schumi | | | FINISH | Jamy | | Sheet No. | 5 from 6 | | |



Soldering Profile Curve

Classification Reflow Profile (JEDEC J-STD-020C)



D-SUB / Stamped Pin / Right-Angle 7,2mm US-Norm / Fixed-Front-Rivet /4-Prong Boardlock Z-Shape / EMI-FILTER / Female

Part No.: **T24E4069**

| | | | | | | | | | |
|-------|--------|------|--------|--------|--------|-----------|-----------|------|------------|
| DRW: | Jason | CHKD | Wilson | MATL: | Wilson | TOLERANCE | Mason | DATE | 07.02.2023 |
| APPD: | Schumi | | | FINISH | Jamy | | Sheet No. | | 6 from 6 |

Customer: