



DATA SHEET

D-SUB / Stamped Pin / Right-Angle 7,2mm US-Norm / Fixed-Front-Rivet /4-Prong Boardlock Z-Shape / EMI-FILTER / Male

Serie: T24E4062

D-SUB / Stamped Pin / Right-Angle 7,2mm US-Norm / Fixed-Front-Rivet /4-Prong Boardlock Z-Shape / EMI-FILTER / Male

Serie No.: **T24E4062**

DRW:	Jason	CHKD	Wilson	MATL:	Wilson	TOLERANCE	Mason	DATE	07.02.2023
APPD:	Schumi			FINISH	Jamy		Sheet No.		1 from 6

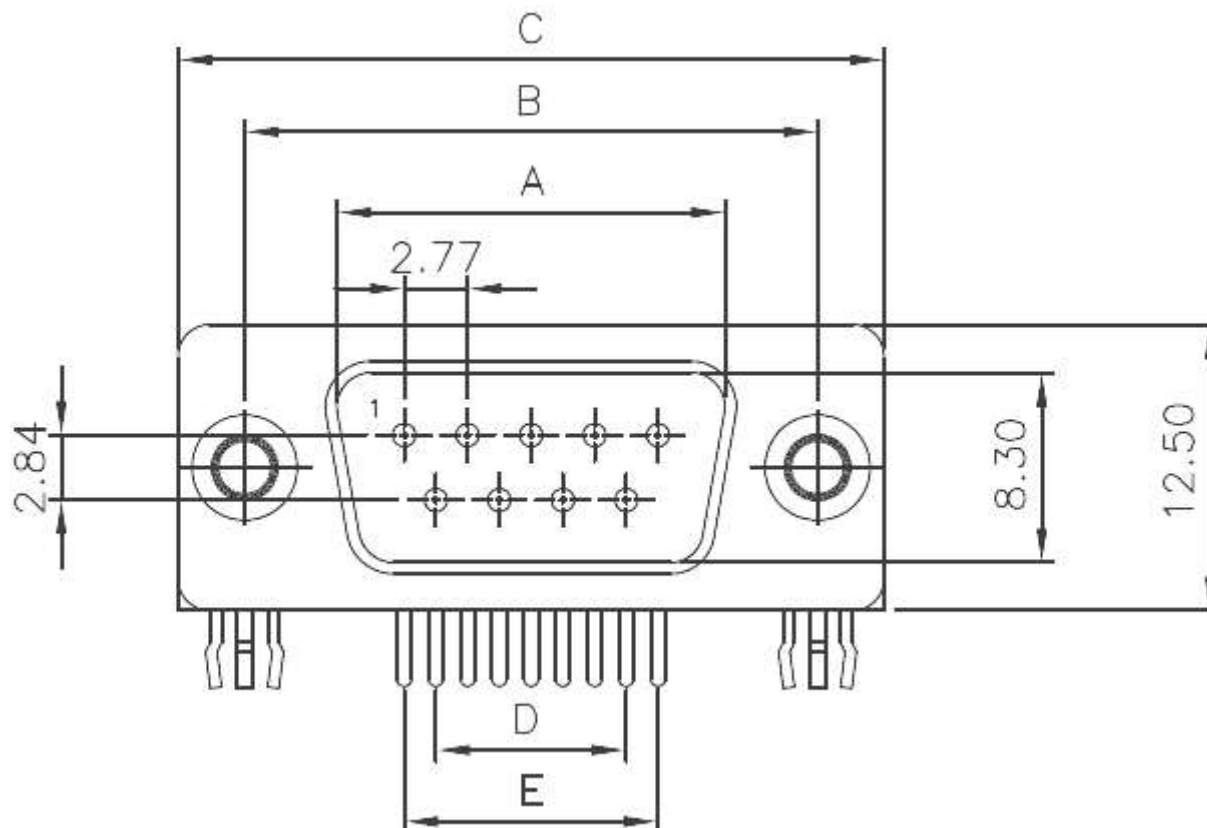
Customer:



Technical Informations

Material	
Insulator	PBT +30% GF rated UL-94-V0
Contact:	Brass
Shell:	Steel
Rivet / Boardlock::	Copper Alloy
Contact Plating:	Gold Flash over 40µ Nickel on all area, Contact area see Ordering
Electrical	
Opening Voltage:	250VAC max.
Current Rating:	3,0A max.
Contact Resistance:	15m Ω max.
Insulation Resistance:	3000M Ω min. @ 500VDC
Dielectric withstanding Voltage:	1000VAC 1 Minute
Mechanical:	
Operating Temperature Range:	.-55°C to + 105°C

Technical Dimensions (mm)



Dimension Table of Connector (mm)

Position	A	B	C	D	E
09 Male	16,92	25,00	30,80	8,31	11,08
15 Male	25,25	33,30	39,20	16,62	19,39
25 Male	38,96	47,10	53,10	30,47	33,24
37 Male	55,42	63,50	69,40	47,09	49,86

Tolerances unless otherwise specified (mm)

X	X.X	X.XX	X.XXX	Angle
±0,5	±0,3	±0,2	±	±5°

D-SUB / Stamped Pin / Right-Angle 7,2mm US-Norm / Fixed-Front-Rivet /4-Prong Boardlock Z-Shape / EMI-FILTER / Male

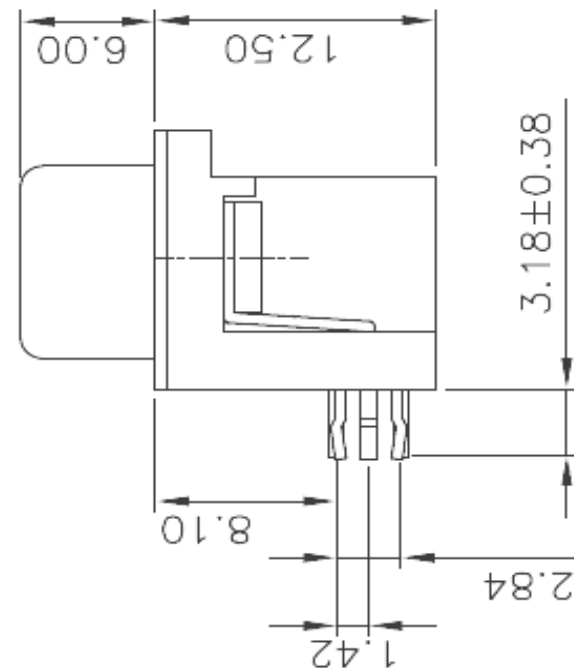
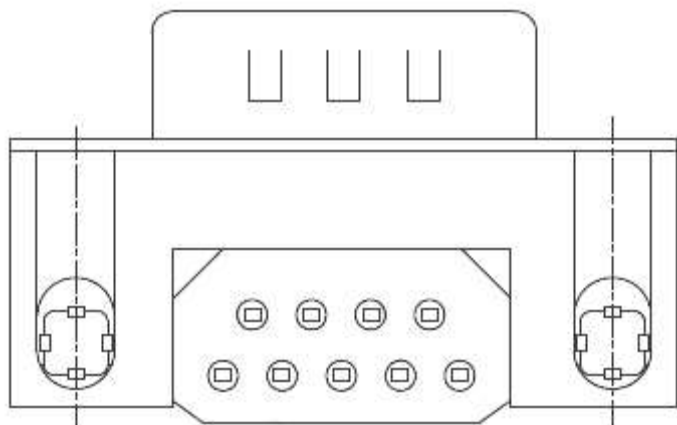
Part No.: **T24E4062**

DRW:	Jason	CHKD	Wilson	MATL:	Wilson	TOLERANCE	Mason	DATE	07.02.2023
APPD:	Schumi	182AE15MGPFEA3		FINISH	Jamy		Sheet No.	2 from 6	

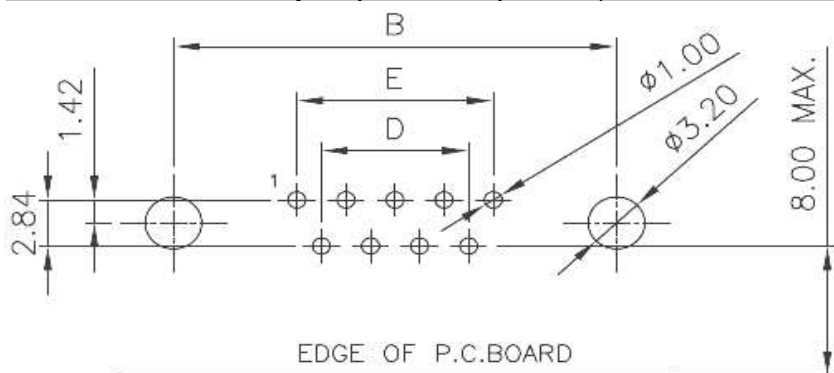
Customer:



Technical Dimension (mm)



P.C.B. Layout (TOP-VIEW) Tol. 0,10mm



D-SUB / Stamped Pin / Right-Angle 7,2mm US-Norm / Fixed-Front-Rivet / 4-Prong Boardlock Z-Shape / EMI-FILTER / Male

Part No.: **T24E4062**

DRW:	Jason	CHKD	Wilson	MATL:	Wilson	TOLERANCE	Mason	DATE	07.02.2023
APPD:	Schumi			FINISH	Jamy		Sheet No.		3 from 6

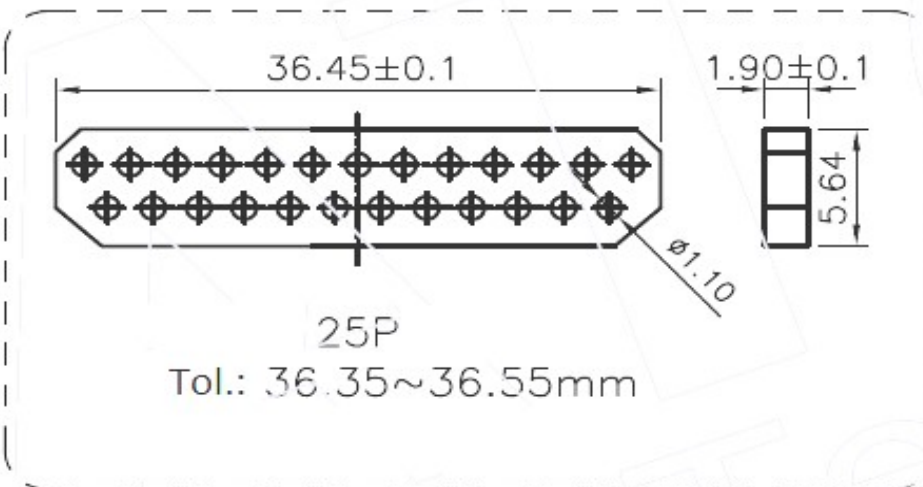
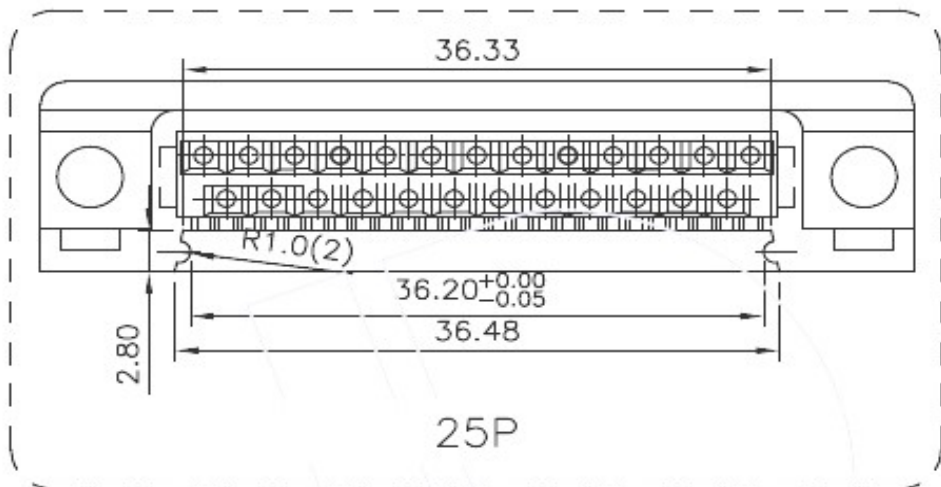
www.edcon-components.com

email: info@edcon-components.com

EDCON-COMPONENTS



Technical Dimensions (mm)



D-SUB / Stamped Pin / Right-Angle 7,2mm US-Norm / Fixed-Front-Rivet / 4-Prong Boardlock Z-Shape / EMI-FILTER / Male

Part No.: **T24E4062**

DRW:	Jason	CHKD	Wilson	MATL:	Wilson	TOLERANCE	Mason	DATE	07.02.2023
APPD:	Schumi			FINISH	Jamy		Sheet No.		4 from 6

www.edcon-components.com

email: info@edcon-components.com

EDCON-COMPONENTS



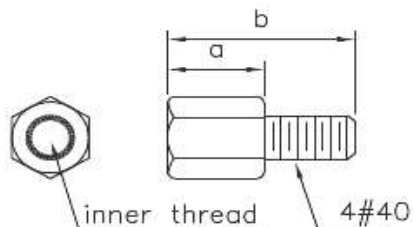
Ordering Informations

Serie	No of Pin	Contact Type	Contact Plating	Shell Plating	Process Option	Parts Option	Parts Option (Screw)	Insulator Colour	ROHS	Packing Code
-------	-----------	--------------	-----------------	---------------	----------------	--------------	----------------------	------------------	------	--------------

T24E4062	25	M	SF	T	U	B	A	BK	R	TY
-----------------	-----------	----------	-----------	----------	----------	----------	----------	-----------	----------	-----------

25= 25Pos.	M= Male	SF= Sel. Gold flash (Standard) S1= 3µ AU S2= 5µ AU S3= 15µ AU S4= 30µ AU	T= Tin + Dimple	U= Rivet with 4 Prong Boardlock Z-Shape	B= Thread Rivet UNC 4-40	A= NON Assesories B= Loose-Hex-Screws 4,8x11,8mm C= Fixed-Hex-Screws 4,8x11,8mm D= Loose-Hex-Screws 5,8x12,0mm E= Fixed-Hex-Screws 5,8x12,0mm	BK= Black Colour BL= Blue Colour	R= ROHS Conform N= NON ROHS Conform	TY= Tray Packing BU= Bulk-Ware IV= Individual Package
-------------------	----------------	---	------------------------	--	---------------------------------	--	---	--	--

Parts Option (Screw)



parts no.	DIM. a	DIM. b	inner thread
C	4.8	11.8	4#40
E	5.8	12.0	4#40

D-SUB / Stamped Pin / Right-Angle 7,2mm US-Norm / Fixed-Front-Rivet / 4-Prong Boardlock Z-Shape / EMI-FILTER / Male

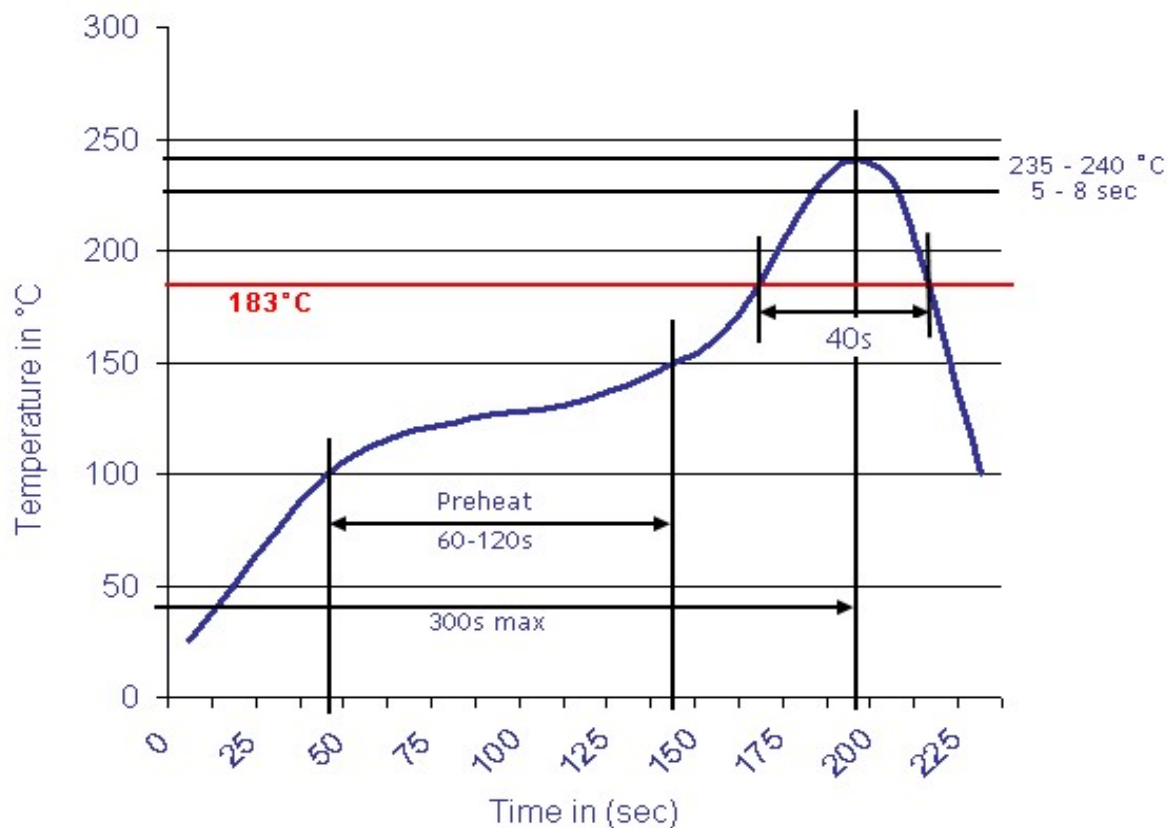
Part No.: **T24E4062**

DRW:	Jason	CHKD	Wilson	MATL:	Wilson	TOLERANCE	Mason	DATE	07.02.2023	Customer:
APPD:	Schumi			FINISH	Jamy		Sheet No.	5 from 6		



Soldering Profile Curve

Classification Reflow Profile (JEDEC J-STD-020C)



D-SUB / Stamped Pin / Right-Angle 7,2mm US-Norm / Fixed-Front-Rivet /4-Prong Boardlock Z-Shape / EMI-FILTER / Male

Part No.: **T24E4062**

DRW:	Jason	CHKD	Wilson	MATL:	Wilson	TOLERANCE	Mason	DATE	07.02.2023
APPD:	Schumi			FINISH	Jamy		Sheet No.		6 from 6

Customer: