



DATA SHEET

D-SUB / Stamped Pin / Right-Angle 7,2mm US-Norm / Front-Rivet 5,8mm w. OPEN-HEX-RIVET / Female

Serie: T24E4031

D-SUB / Stamped Pin / Right-Angle
7,2mm US-Norm / Front-Rivet 5,8mm w.
OPEN-HEX-RIVET / Female

Serie No.: **T24E4031**

DRW:	Jason	CHKD	Wilson	MATL:	Wilson	TOLERANCE	Mason	DATE	07.02.2023
APPD:	Schumi			FINISH	Jamy		Sheet No.		1 from 5

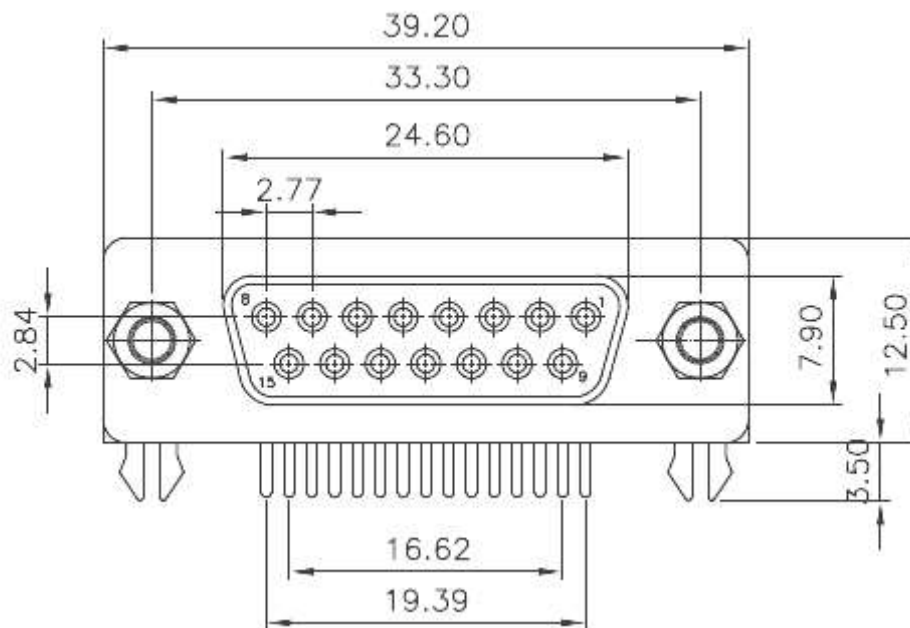
Customer:



Technical Informations

Material	
Insulator	PBT +30% GF rated UL-94-V0
Contact:	Brass
Shell:	Steel
Rivet / Boardlock::	Copper Alloy
Contact Plating:	Gold Flash over 40µ Nickel on all area, Contact area see Ordering
Electrical	
Operating Voltage:	250VAC max.
Current Rating:	3,0A max.
Contact Resistance:	15m Ω max.
Insulation Resistance:	3000M Ω min. @ 500VDC
Dielectric withstanding Voltage:	1000VAC 1 Minute
Mechanical:	
Operating Temperature Range:	.-55°C to + 105°C

Technical Dimensions (mm)



Tolerances unless otherwise specified (mm)

X	X.X	X.XX	X.XXX	Angle
±0,5	±0,3	±0,2	±	±5°
DRW:	Jason	CHKD	Wilson	MATL:
APPD:	Schumi	182AE15MGPFEA3	FINISH	Jamy
TOLERANCE			Mason	DATE
				07.02.2023
			Sheet No.	2 from 5

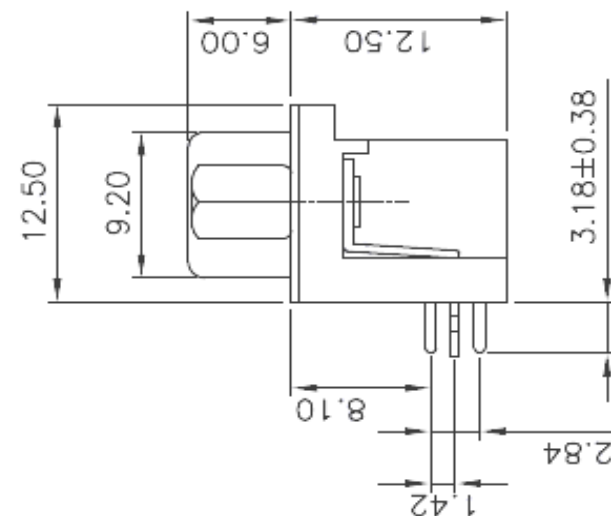
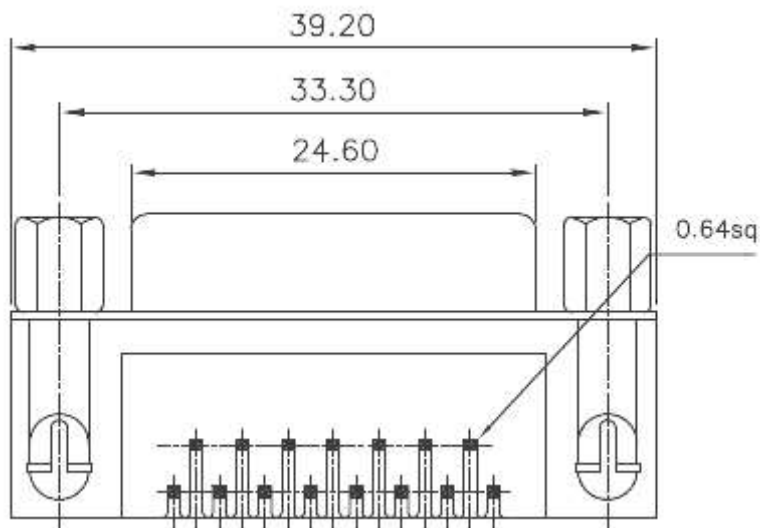
D-SUB / Stamped Pin / Right-Angle
7,2mm US-Norm / Front-Rivet 5,8mm w.
OPEN-HEX-RIVET / Female

Part No.: **T24E4031**

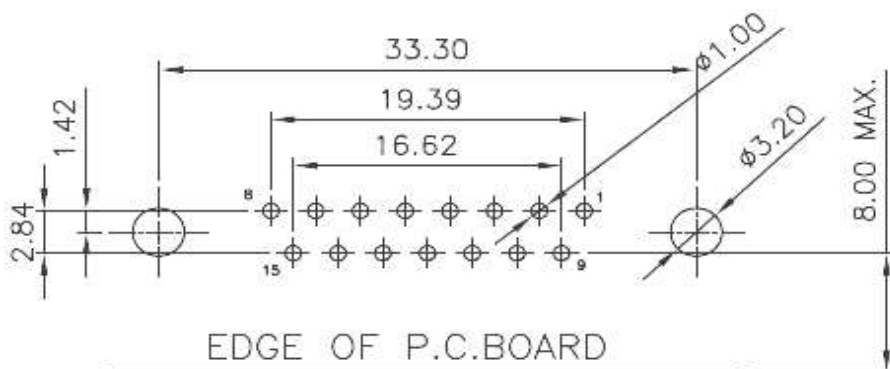
Customer:



Technical Dimension (mm)



P.C.B. Layout (TOP-VIEW) Tol. 0,10mm



D-SUB / Stamped Pin / Right-Angle
7,2mm US-Norm / Front-Rivet 5,8mm w.
OPEN-HEX-RIVET / Female

Part No.: **T24E4031**

DRW:	Jason	CHKD	Wilson	MATL:	Wilson	TOLERANCE	Mason	DATE	07.02.2023	Customer:
APPD:	Schumi			FINISH	Jamy		Sheet No.	3 from 5		

EDCON-COMPONENTS



Ordering Informations

Serie	No of Pin	Contact Type	Contact Plating	Shell Plating	Process Option	Parts Option	Parts Option (Screw)	Insulator Colour	ROHS	Packing Code
-------	-----------	--------------	-----------------	---------------	----------------	--------------	----------------------	------------------	------	--------------

T24E4031	15	F	SF	T	B	F	A	BK	R	TY
-----------------	-----------	----------	-----------	----------	----------	----------	----------	-----------	----------	-----------

15= 15Pos.	F= Female	SF= Sel. Gold flash (Standard) S1= 3µ AU S2= 5µ AU S3= 15µ AU S4= 30µ AU	T= Tin + Dimple	B= Rivet w. Boardlock Z-Shape	F= Front Rivet 5,8mm / OPEN-HEX-Rivet	A= Non Accessorie	BK= Black Colour BL= Blue Colour	R= ROHS Conform N= NON ROHS Conform	TY= Tray Packing BU= Bulk-Ware IV= Individual Package
-------------------	------------------	---	------------------------	--------------------------------------	--	--------------------------	---	--	--

**D-SUB / Stamped Pin / Right-Angle
7,2mm US-Norm / Front-Rivet 5,8mm w.
OPEN-HEX-RIVET / Female**

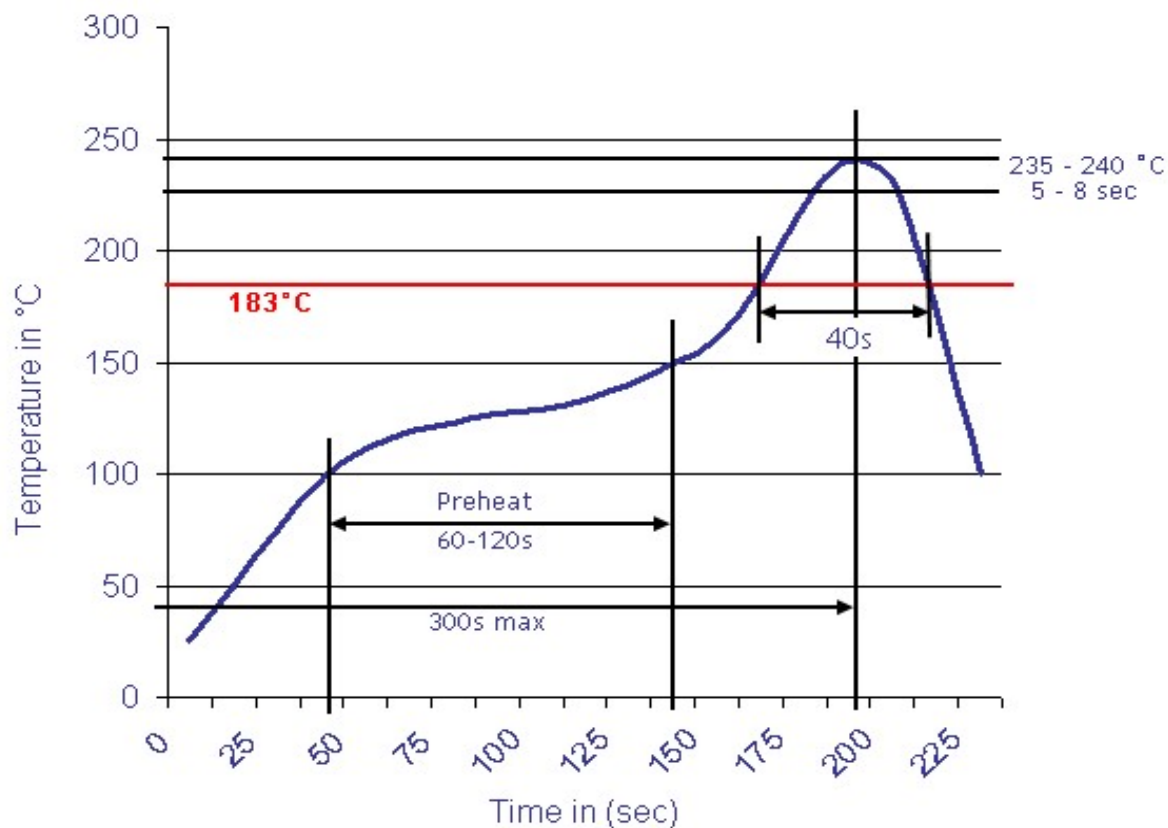
Part No.: **T24E4031**

DRW:	Jason	CHKD	Wilson	MATL:	Wilson	TOLERANCE	Mason	DATE	07.02.2023	Customer:
APPD:	Schumi			FINISH	Jamy		Sheet No.	4 from 5		



Soldering Profile Curve

Classification Reflow Profile (JEDEC J-STD-020C)



D-SUB / Stamped Pin / Right-Angle
7,2mm US-Norm / Front-Rivet 5,8mm w.
OPEN-HEX-RIVET / Female

Part No.: **T24E4031**

DRW:	Jason	CHKD	Wilson	MATL:	Wilson	TOLERANCE	Mason	DATE	07.02.2023
APPD:	Schumi			FINISH	Jamy		Sheet No.		5 from 5

Customer: