



# DATA SHEET

**D-SUB / Stamped Pin / Right-Angle 7,2mm US-Norm / Z-Shape / Fixed Hex-Screw/ Female**

## Serie: T24E4006

<b>D-SUB / Stamped Pin / Right-Angle 7,2mm US-Norm / Z-Shape / Fixed Hex-Screw/ Female</b>	
Serie No.:	<b>T24E4006</b>
Customer:	

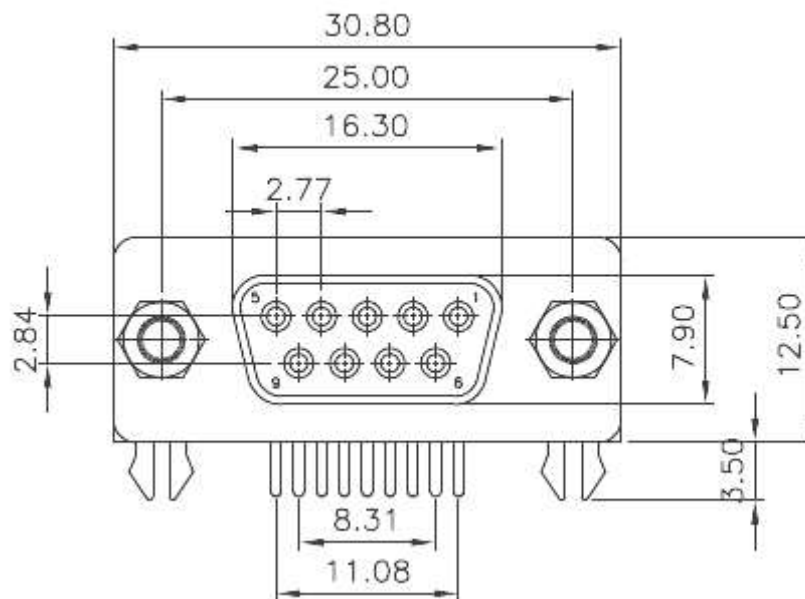
DRW:	Jason	CHKD	Wilson	MATL:	Wilson	TOLERANCE	Mason	DATE	07.02.2023
APPD:	Schumi			FINISH	Jamy		Sheet No.		1 from 5



## Technical Informations

<b>Material</b>	
Insulator	PBT +30% GF rated UL-94-V0
Contact:	Brass
Shell:	Steel
Rivet / Boardlock::	Copper Alloy
Contact Plating:	Gold Flash over 40µ Nickel on all area, Contact area see Ordering
<b>Electrical</b>	
Opening Voltage:	250VAC max.
Current Rating:	3,0A max.
Contact Resistance:	15m Ω max.
Insulation Resistance:	3000M Ω min. @ 500VDC
Dielectric withstanding Voltage:	1000VAC 1 Minute
<b>Mechanical:</b>	
Operating Temperature Range:	.-55°C to + 105°C

## Technical Dimensions (mm)



Tolerances unless otherwise specified (mm)

X	X.X	X.XX	X.XXX	Angle
±0,5	±0,3	±0,2	±	±5°

D-SUB / Stamped Pin / Right-Angle  
7,2mm US-Norm / Z-Shape / Fixed Hex-Screw/ Female

Part No.: **T24E4006**

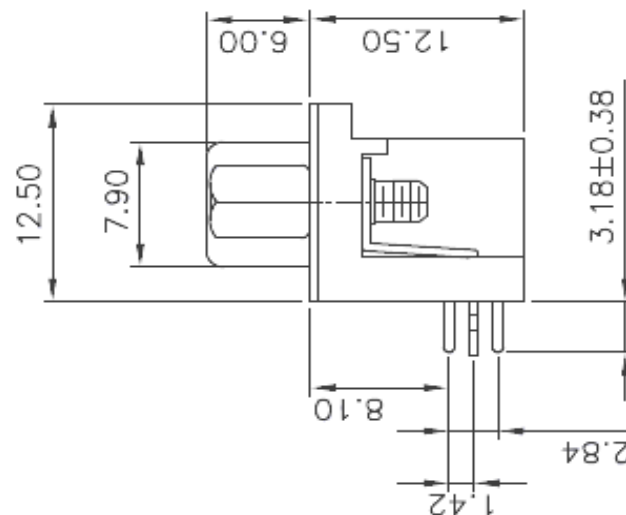
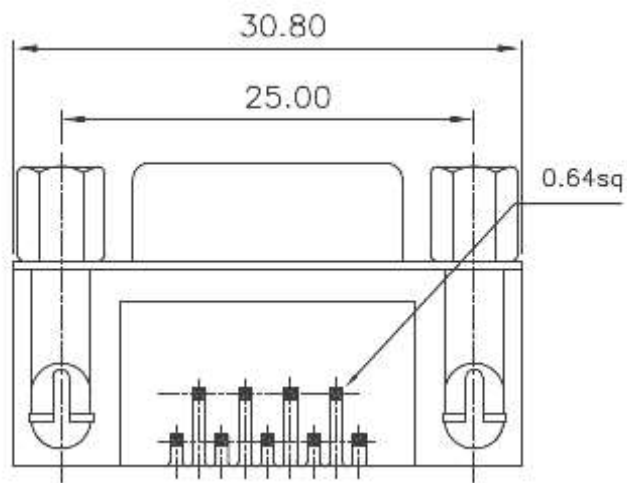
DRW:	Jason	CHKD	Wilson	MATL:	Wilson	TOLERANCE	Mason	DATE	07.02.2023
APPD:	Schumi	182AE15MGPF EA3		FINISH	Jamy		Sheet No.	2 from 5	

Customer:

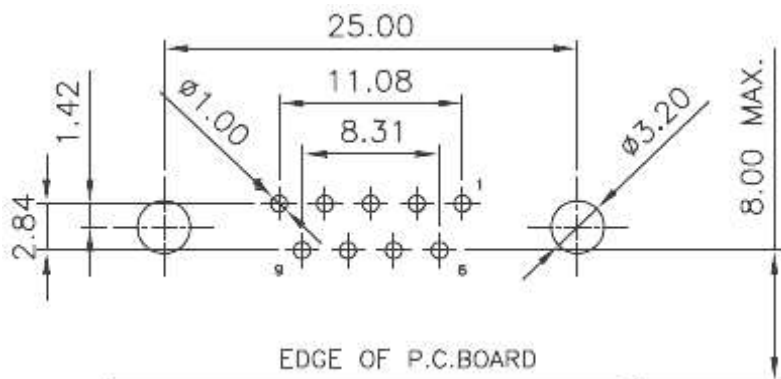
# EDCON-COMPONENTS



## Technical Dimension (mm)



## P.C.B. Layout (TOP-VIEW) Tol. 0,10mm



D-SUB / Stamped Pin / Right-Angle  
7,2mm US-Norm / Z-Shape / Fixed Hex-  
Screw/ Female

Part No.: **T24E4006**

DRW:	Jason	CHKD	Wilson	MATL:	Wilson	TOLERANCE	Mason	DATE	07.02.2023
APPD:	Schumi			FINISH	Jamy		Sheet No.		3 from 5

Customer:

[www.edcon-components.com](http://www.edcon-components.com)

email: [info@edcon-components.com](mailto:info@edcon-components.com)

# EDCON-COMPONENTS



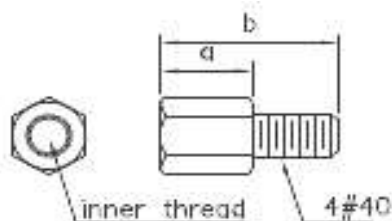
## Ordering Informations

Serie	No of Pin	Contact Type	Contact Plating	Shell Plating	Process Option	Parts Option	Parts Option (Screw)	Insulator Colour	ROHS	Packing Code
-------	-----------	--------------	-----------------	---------------	----------------	--------------	----------------------	------------------	------	--------------

<b>T24E4006</b>	<b>09</b>	<b>F</b>	<b>SF</b>	<b>T</b>	<b>A</b>	<b>A</b>	<b>X</b>	<b>BK</b>	<b>R</b>	<b>TY</b>
-----------------	-----------	----------	-----------	----------	----------	----------	----------	-----------	----------	-----------

<b>09=</b> 9Pos.	<b>F=</b> Female	<b>SF=</b> Sel. Gold flash (Standard) <b>S1=</b> 3µ AU <b>S2=</b> 5µ AU <b>S3=</b> 15µ AU <b>S4=</b> 30µ AU	<b>T=</b> Tin + Dimple	<b>A=</b> Boardlock Z-Shape	<b>A=</b> Non Rivet	<b>C=</b> Fixed-Hex-Screw 4,8x11,8mm <b>E=</b> Fixed-Hex-Screw 5,8x12,0mm	<b>BK=</b> Black Colour <b>BL=</b> Blue Colour	<b>R=</b> ROHS Conform <b>N=</b> NON ROHS Conform	<b>TY=</b> Tray Packing <b>BU=</b> Bulk-Ware <b>IV=</b> Individual Package
------------------	------------------	---	------------------------	-----------------------------	---------------------	--	---	--	--

Part-Option Table



parts no.	DIM. a	DIM. b	inner thread
C	4.8	11.8	4#40
E	5.8	12.0	4#40

**D-SUB / Stamped Pin / Right-Angle  
7,2mm US-Norm / Z-Shape / Fixed Hex-Screw/ Female**

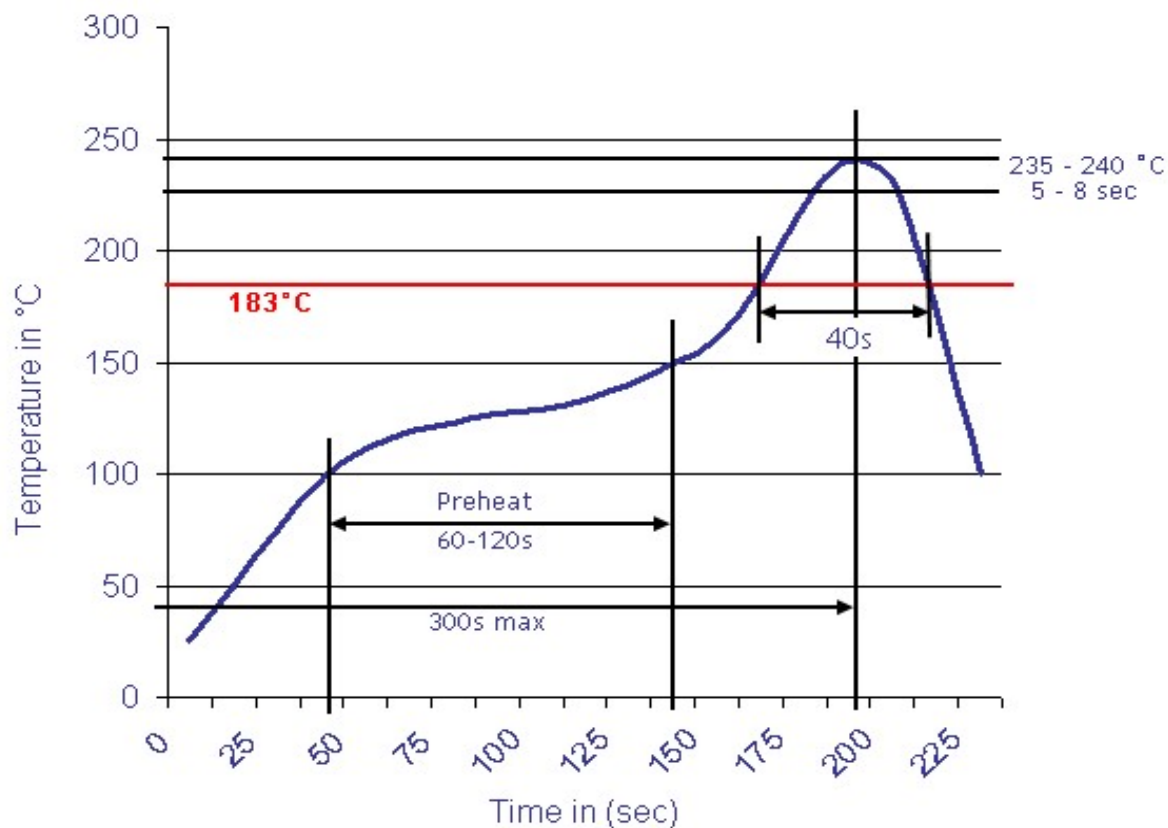
Part No.: **T24E4006**

DRW:	Jason	CHKD	Wilson	MATL:	Wilson	TOLERANCE	Mason	DATE	07.02.2023	Customer:
APPD:	Schumi			FINISH	Jamy		Sheet No.	4 from 5		



Soldering Profile Curve

Classification Reflow Profile (JEDEC J-STD-020C)



D-SUB / Stamped Pin / Right-Angle  
7,2mm US-Norm / Z-Shape / Fixed Hex-  
Screw/ Female

Part No.: **T24E4006**

DRW:	Jason	CHKD	Wilson	MATL:	Wilson	TOLERANCE	Mason	DATE	07.02.2023
APPD:	Schumi			FINISH	Jamy		Sheet No.		5 from 5

Customer: