

DATA SHEET

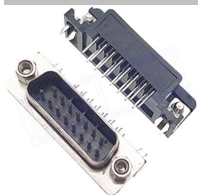
D-SUB / Stamped Pin / Right-Angle 7,2mm US-Norm / Z-Shape / Fixed Hex-Screw/ Male

Serie: T24E4002

| | |
|--|-----------------|
| D-SUB / Stamped Pin / Right-Angle 7,2mm US-Norm / Z-Shape / Fixed Hex-Screw/ Male | |
| Serie No.: | T24E4002 |
| Customer: | |

| | | | | | | | | | |
|-------|--------|------|--------|--------|--------|-----------|-----------|------|------------|
| DRW: | Jason | CHKD | Wilson | MATL: | Wilson | TOLERANCE | Mason | DATE | 07.02.2023 |
| APPD: | Schumi | | | FINISH | Jamy | | Sheet No. | | 1 from 5 |

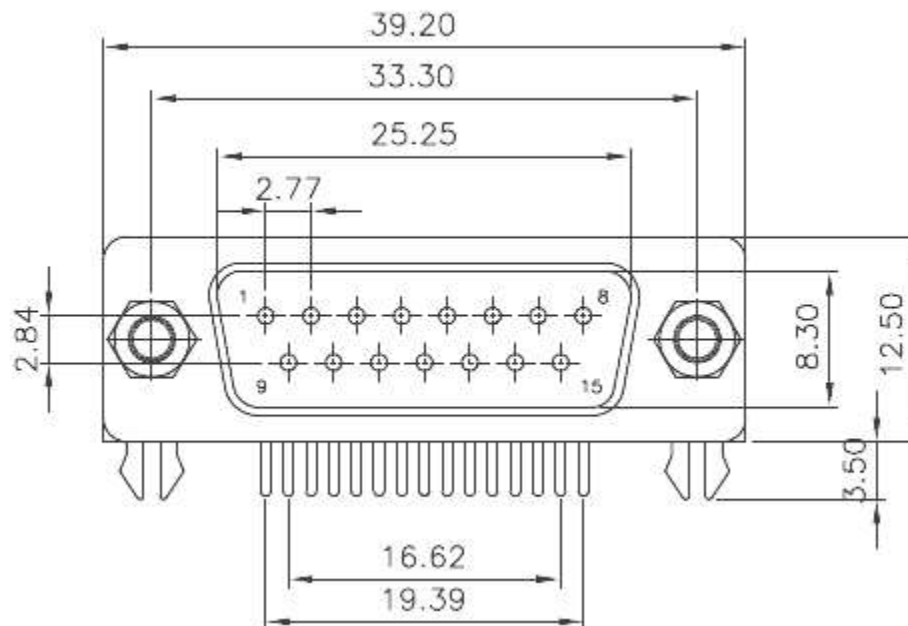
EDCON-COMPONENTS



Technical Informations

| | |
|----------------------------------|---|
| Material | |
| Insulator | PBT +30% GF rated UL-94-V0 |
| Contact: | Brass |
| Shell: | Steel |
| Rivet / Boardlock:: | Copper Alloy |
| | |
| Contact Plating: | Gold Flash over 40µ Nickel on all area, Contact area see Ordering |
| | |
| Electrical | |
| Operating Voltage: | 250VAC max. |
| Current Rating: | 3,0A max. |
| Contact Resistance: | 15m Ω max. |
| Insulation Resistance: | 3000M Ω min. @ 500VDC |
| Dielectric withstanding Voltage: | 1000VAC 1 Minute |
| | |
| Mechanical: | |
| Operating Temperature Range: | .-55°C to + 105°C |

Technical Dimensions (mm)



Tolerances unless otherwise specified (mm)

| | | | | | |
|-------|--------|-----------------|--------|-----------|--|
| X | X.X | X.XX | X.XXX | Angle | D-SUB / Stamped Pin / Right-Angle 7,2mm US-Norm / Z-Shape / Fixed Hex-Screw/ Male |
| ±0,5 | ±0,3 | ±0,2 | ± | ±5° | |
| DRW: | Jason | CHKD | Wilson | MATL: | Wilson |
| APPD: | Schumi | 182AE15MGPF EA3 | FINISH | Jamy | TOLERANCE |
| | | | | DATE | 07.02.2023 |
| | | | | Sheet No. | 2 from 5 |
| | | | | | Part No.: T24E4002 |
| | | | | | Customer: |

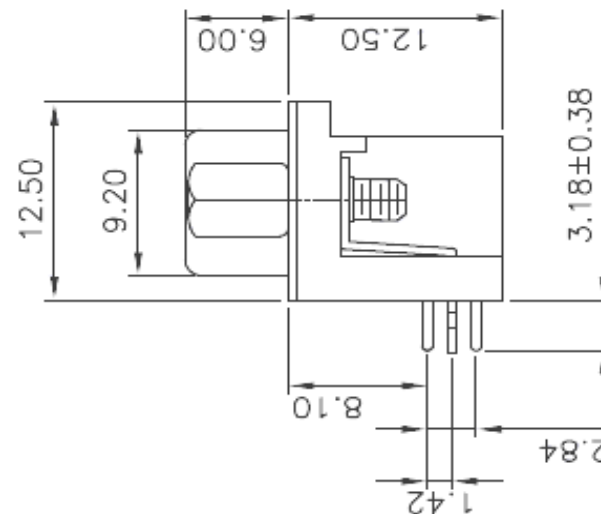
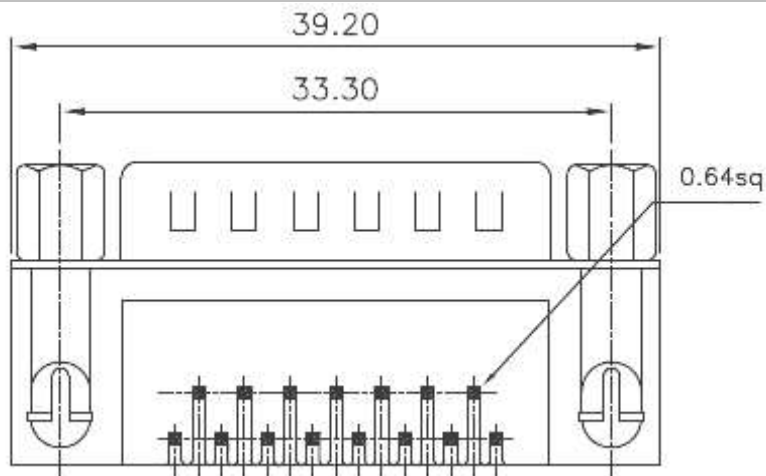
www.edcon-components.com

email: info@edcon-components.com

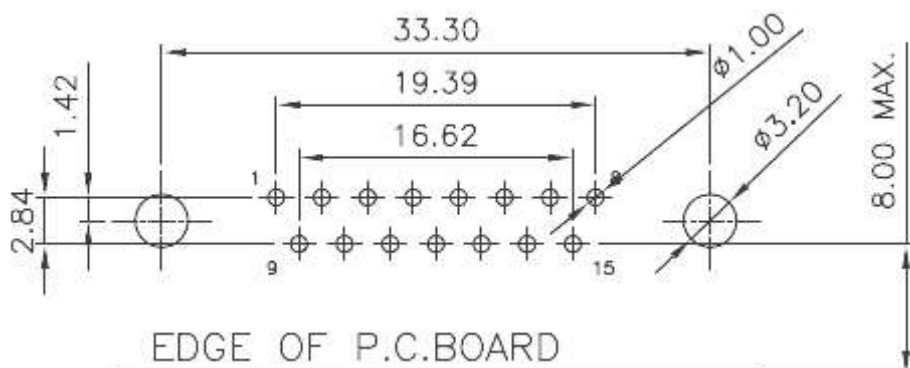
EDCON-COMPONENTS



Technical Dimension (mm)



P.C.B. Layout (TOP-VIEW) Tol. 0,10mm



D-SUB / Stamped Pin / Right-Angle
7,2mm US-Norm / Z-Shape / Fixed Hex-
Screw/ Male

Part No.: **T24E4002**

| | | | | | | | | | |
|-------|--------|------|--------|--------|--------|-----------|-----------|------|------------|
| DRW: | Jason | CHKD | Wilson | MATL: | Wilson | TOLERANCE | Mason | DATE | 07.02.2023 |
| APPD: | Schumi | | | FINISH | Jamy | | Sheet No. | | 3 from 5 |

Customer:

www.edcon-components.com

email: info@edcon-components.com

EDCON-COMPONENTS



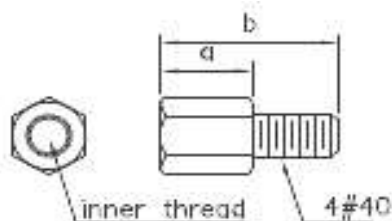
Ordering Informations

| Serie | No of Pin | Contact Type | Contact Plating | Shell Plating | Process Option | Parts Option | Parts Option (Screw) | Insulator Colour | ROHS | Packing Code |
|-------|-----------|--------------|-----------------|---------------|----------------|--------------|----------------------|------------------|------|--------------|
|-------|-----------|--------------|-----------------|---------------|----------------|--------------|----------------------|------------------|------|--------------|

| | | | | | | | | | | |
|-----------------|-----------|----------|-----------|----------|----------|----------|----------|-----------|----------|-----------|
| T24E4002 | 15 | M | SF | T | A | A | X | BK | R | TY |
|-----------------|-----------|----------|-----------|----------|----------|----------|----------|-----------|----------|-----------|

| | | | | | | | | | |
|-------------------|----------------|---|------------------------|-----------------------------|---------------------|--|---|--|--|
| 15= 15Pos. | M= Male | SF= Sel. Gold flash (Standard) S1= 3µ AU S2= 5µ AU S3= 15µ AU S4= 30µ AU | T= Tin + Dimple | A= Boardlock Z-Shape | A= Non Rivet | C= Fixed-Hex-Screw 4,8x11,8mm E= Fixed-Hex-Screw 5,8x12,0mm | BK= Black Colour BL= Blue Colour | R= ROHS Conform N= NON ROHS Conform | TY= Tray Packing BU= Bulk-Ware IV= Individual Package |
|-------------------|----------------|---|------------------------|-----------------------------|---------------------|--|---|--|--|

Part-Option Table

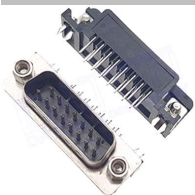


| parts no. | DIM. a | DIM. b | inner thread |
|-----------|--------|--------|--------------|
| C | 4.8 | 11.8 | 4#40 |
| E | 5.8 | 12.0 | 4#40 |

**D-SUB / Stamped Pin / Right-Angle
7,2mm US-Norm / Z-Shape / Fixed Hex-
Screw/ Male**

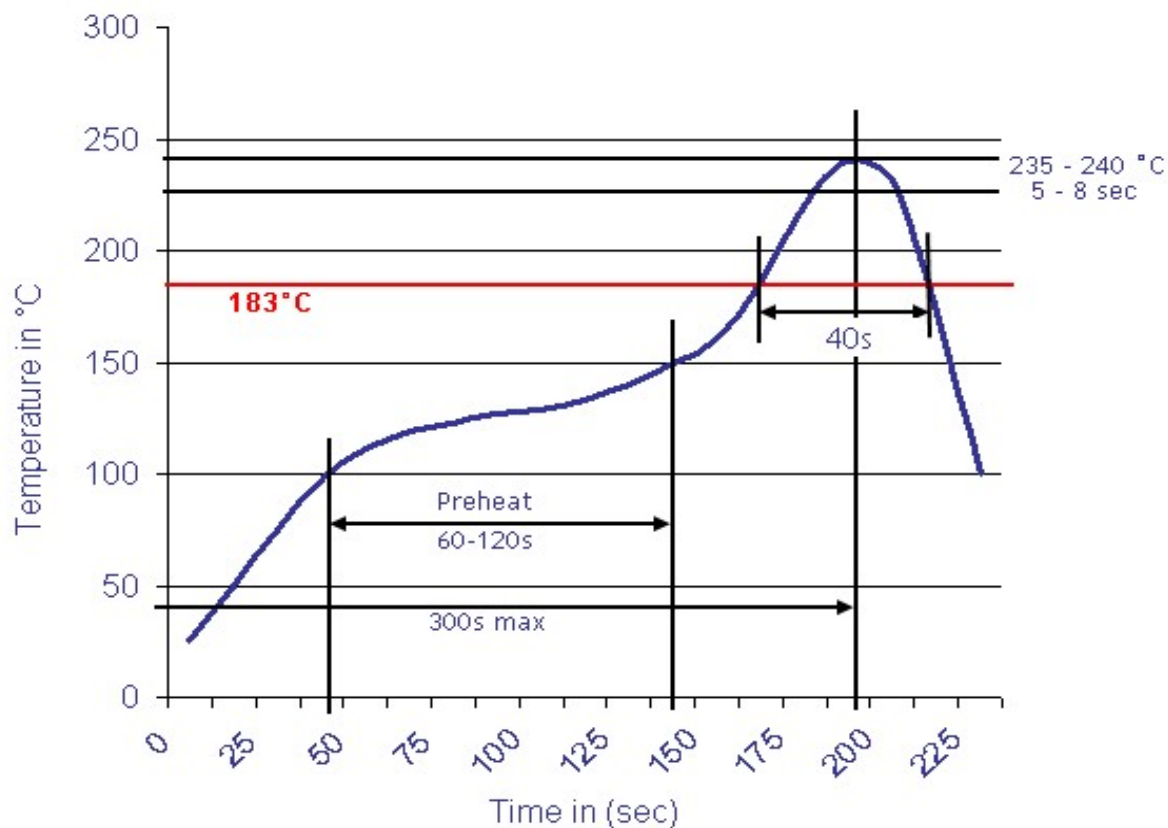
Part No.: **T24E4002**

| | | | | | | | | | | |
|-------|--------|------|--------|--------|--------|-----------|-----------|----------|------------|-----------|
| DRW: | Jason | CHKD | Wilson | MATL: | Wilson | TOLERANCE | Mason | DATE | 07.02.2023 | Customer: |
| APPD: | Schumi | | | FINISH | Jamy | | Sheet No. | 4 from 5 | | |



Soldering Profile Curve

Classification Reflow Profile (JEDEC J-STD-020C)



D-SUB / Stamped Pin / Right-Angle
7,2mm US-Norm / Z-Shape / Fixed Hex-
Screw/ Male

Part No.: **T24E4002**

| | | | | | | | | | |
|-------|--------|-------|--------|---------|--------|------------|-----------|-------|------------|
| DRW: | Jason | CHKD: | Wilson | MATL: | Wilson | TOLERANCE: | Mason | DATE: | 07.02.2023 |
| APPD: | Schumi | | | FINISH: | Jamy | | Sheet No. | | 5 from 5 |

Customer: