



# DATA SHEET

**D-SUB / Stamped Pin / PCB-Straight-Pin / PCB-BOARDLOCK-RIVET / Male**

## Serie: T24E2037

**D-SUB / Stamped Pin / PCB-Straight-Pin /  
PCB-BOARDLOCK-RIVET / Male**

**Serie No.: T24E2037**

DRW:	Jason	CHKD	Wilson	MATL:	Wilson	TOLERANCE	Mason	DATE	05.02.2023	Customer:
APPD:	Schumi			FINISH	Jamy		Sheet No.	1 from 5		

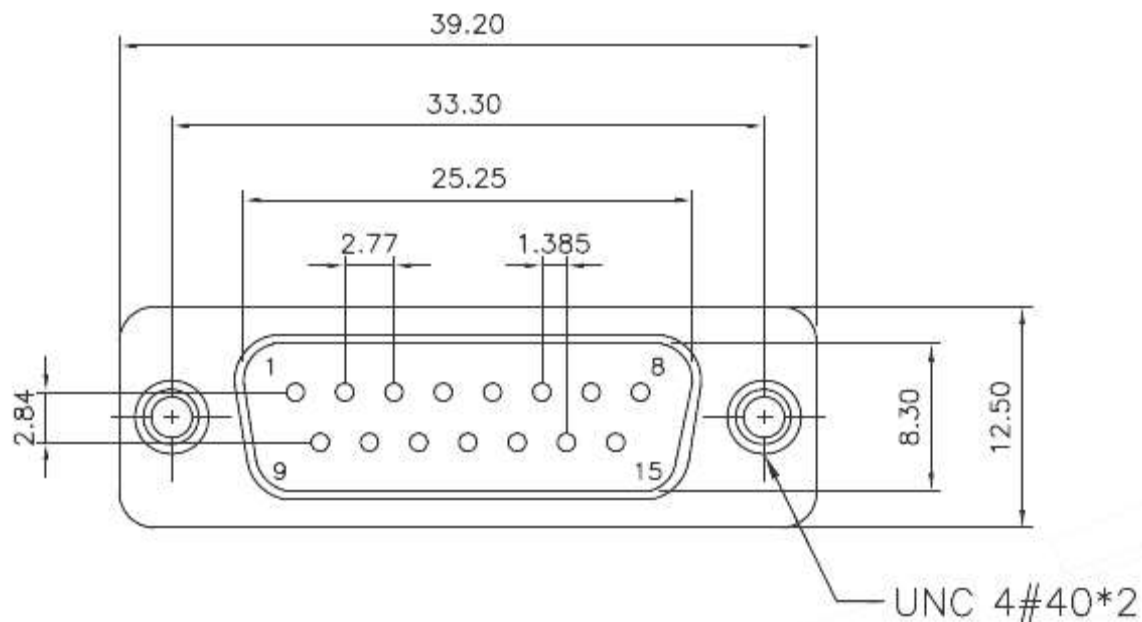
# EDCON-COMPONENTS



## Technical Informations

<b>Material</b>	
Insulator	PBT +30% GF rated UL-94-V0
Contact:	Brass C3602
Shell:	Steel
Rivet / Boardlock::	Copper Alloy
Contact Plating:	Gold Flash over 40µ Nickel on all area, Contact area see Ordering
Solder Tail Area:	80µ Tin/Lead
<b>Electrical</b>	
Opening Voltage:	250VAC max.
Current Rating:	3,0A max.
Contact Resistance:	15m Ω max.
Insulation Resistance:	3000M Ω min. @ 500VDC
Dielectric withstanding Voltage:	1000VAC 1 Minute
<b>Mechanical:</b>	
Operating Temperature Range:	.-55°C to + 105°C

## Technical Dimensions (mm)



### Tolerances unless otherwise specified (mm)

X	X.X	X.XX	X.XXX	Angle
±0,5	±0,3	±0,2	±	±5°
DRW:	Jason	CHKD	Wilson	MATL:
APPD:	Schumi	182AE15MGPFEA3	FINISH	Jamy
				Sheet No.
				2 from 5

D-SUB / Stamped Pin / PCB-Straigt-Pin / PCB-BOARDLOCK-RIVET / Male

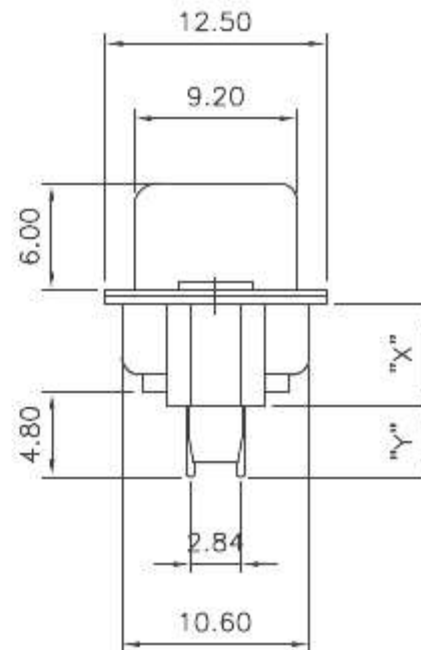
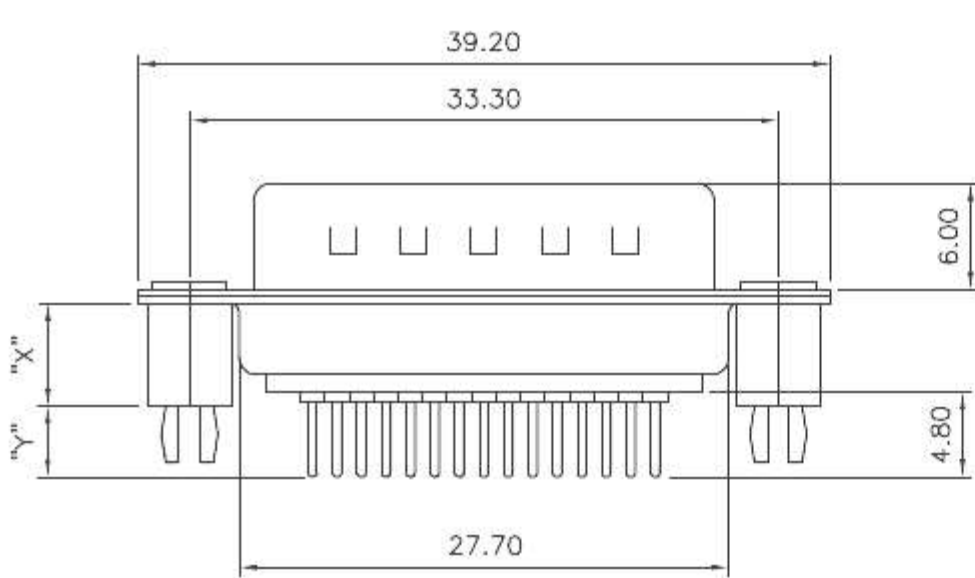
Part No.: **T24E2037**

Customer:

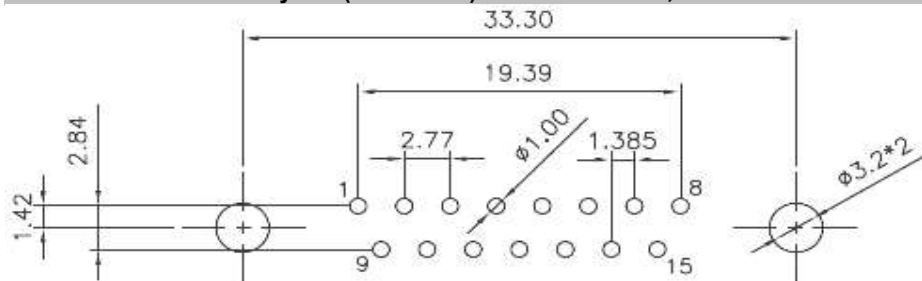
# EDCON-COMPONENTS



## Technical Dimension (mm)



## PCB-Layout (TOP-VIEW) Tolerances +/- 0,10mm



D-SUB / Stamped Pin / PCB-Straight-Pin /  
PCB-BOARDLOCK-RIVET / Male

Part No.: **T24E2037**

DRW:	Jason	CHKD	Wilson	MATL:	Wilson	TOLERANCE	Mason	DATE	05.02.2023
APPD:	Schumi			FINISH	Jamy		Sheet No.		3 from 5

Customer:

[www.edcon-components.com](http://www.edcon-components.com)

email: [info@edcon-components.com](mailto:info@edcon-components.com)

# EDCON-COMPONENTS



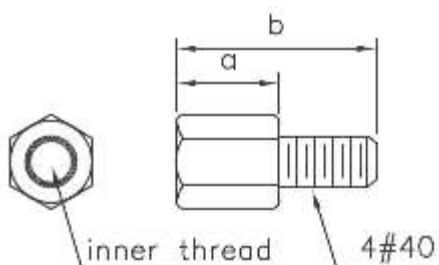
## Ordering Informations

Serie	No of Pin	Contact Type	Contact Plating	Shell Plating	Process Option	Parts Option	Contact Inserting Optio	Insulator Colour	ROHS	Packing Code
-------	-----------	--------------	-----------------	---------------	----------------	--------------	-------------------------	------------------	------	--------------

<b>T24E2037</b>	<b>15</b>	<b>M</b>	<b>SF</b>	<b>T</b>	<b>X</b>	<b>X</b>	<b>A</b>	<b>WH</b>	<b>R</b>	<b>TY</b>
-----------------	-----------	----------	-----------	----------	----------	----------	----------	-----------	----------	-----------

<b>15= 15Pos.</b>	<b>M= Male</b>	<b>SF= Gold flash (Standard)1μ</b>	<b>T= Tin + Dimple</b>	<b>H= Boardlock Rivet 6,0mm X=6,0mm / Y=4,0mm</b>	<b>E= Rear Rivet</b>	<b>A= Fully loaded contact</b>	<b>WH= White Colour</b>	<b>R= ROHS Conform</b>	<b>TY= Tray Packing</b>
		<b>S1= Selective 3μ AU</b>			<b>F= Rear Rivet + loose Srew 5,0x10,0mm</b>		<b>N= NON ROHS Conform</b>		
		<b>S2= Selectiv 5μ AU</b>		<b>I= Boardlock Rivet 7,0mm X=7,0mm / Y=3,0mm</b>	<b>H= Rear Rivet + loose Srew 4,8x11,8mm</b>		<b>BK= Black Colour</b>		<b>BU= Bulk-Ware</b>
		<b>S3= Selectiv 15μ AU</b>		<b>J= Boardlock Rivet 8,0mm X=8,0mm / Y=2,0mm</b>	<b>J= Rear Rivet + loose Srew 5,8x12,0mm</b>		<b>BL= Blue Colour</b>		<b>IV= Individual Package</b>
		<b>S4= Selectiv 30μ AU</b>			<b>G= Rear Rivet + Fixed Srew 5,0x10,0mm</b>				
					<b>I= Rear Rivet + fixed Srew 4,8x11,8mm</b>				
					<b>K= Rear Rivet + Fixed Srew 5,8x12,0mm</b>				

Parts Option Dimension Table



parts no.	DIM. a	DIM. b	inner thread
F,G	5.0	10.0	4#40
H,I	4.8	11.8	4#40
J,K	5.8	12.0	4#40

D-SUB / Stamped Pin / PCB-Straight-Pin / PCB-BOARDLOCK-RIVET / Male

Part No.: **T24E2037**

DRW:	Jason	CHKD	Wilson	MATL:	Wilson	TOLERANCE	Mason	DATE	05.02.2023	Customer:
APPD:	Schumi			FINISH	Jamy		Sheet No.	4 from 5		



Soldering Profile Curve

Classification Reflow Profile (JEDEC J-STD-020C)



D-SUB / Stamped Pin / PCB-Straight-Pin /  
PCB-BOARDLOCK-RIVET / Male

Part No.: **T24E2037**

DRW:	Jason	CHKD	Wilson	MATL:	Wilson	TOLERANCE	Mason	DATE	05.02.2023
APPD:	Schumi			FINISH	Jamy		Sheet No.		5 from 5

Customer: