



# DATA SHEET

D-SUB / Stamped Pin / PCB-Straigt-Pin / HEX FRONT-RIVET / Female

## Serie: T24E2021

D-SUB / Stamped Pin / PCB-Straigt-Pin /  
HEX FRONT-RIVET / Female

Serie No.: **T24E2021**

DRW:	Jason	CHKD	Wilson	MATL:	Wilson	TOLERANCE	Mason	DATE	05.02.2023	Customer:
APPD:	Schumi			FINISH	Jamy		Sheet No.	1 from 5		

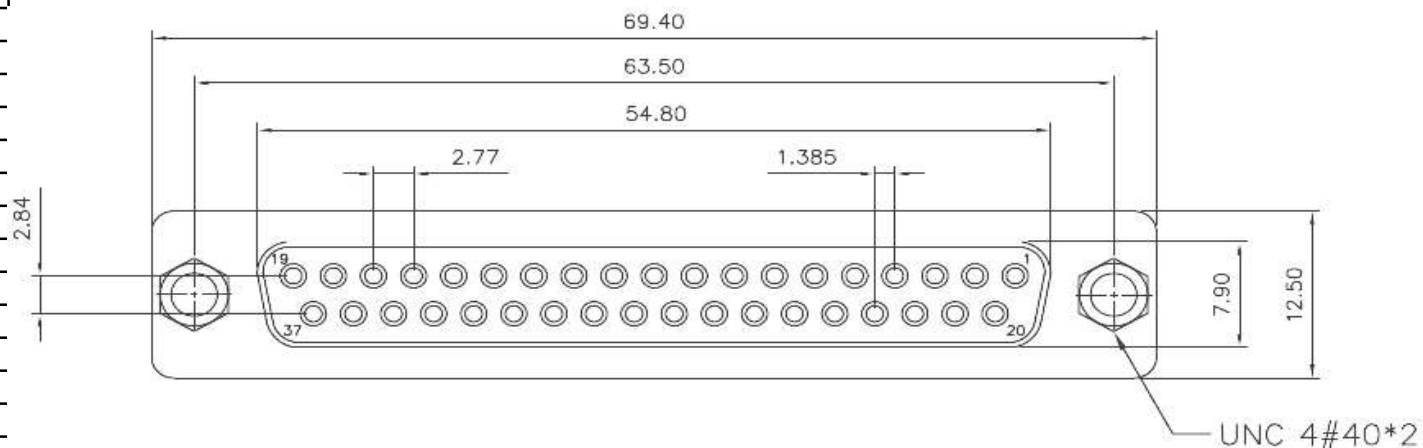
# EDCON-COMPONENTS



## Technical Informations

<b>Material</b>	
Insulator	PBT +30% GF rated UL-94-V0
Contact:	Brass C3602
Shell:	Steel
Rivet / Boardlock::	Copper Alloy
Contact Plating:	Gold Flash over 40µ Nickel on all area, Contact area see Ordering
Solder Tail Area:	80µ Tin/Lead
<b>Electrical</b>	
Opening Voltage:	250VAC max.
Current Rating:	3,0A max.
Contact Resistance:	15m Ω max.
Insulation Resistance:	3000M Ω min. @ 500VDC
Dielectric withstanding Voltage:	1000VAC 1 Minute
<b>Mechanical:</b>	
Operating Temperature Range:	.-55°C to + 105°C

## Technical Dimensions (mm)



Tolerances unless otherwise specified (mm)										D-SUB / Stamped Pin / PCB-Straight-Pin / HEX FRONT-RIVET / Female
X	X.X	X.XX	X.XXX	Angle						
±0,5	±0,3	±0,2	±	±5°						Part No.: <b>T24E2021</b>
DRW: Jason	CHKD: Wilson	MATL: Wilson	TOLERANCE: Mason	DATE: 05.02.2023						Customer:
APPD: Schumi	182AE15MGPFEA3	FINISH: Jamy		Sheet No.:						2 from 5

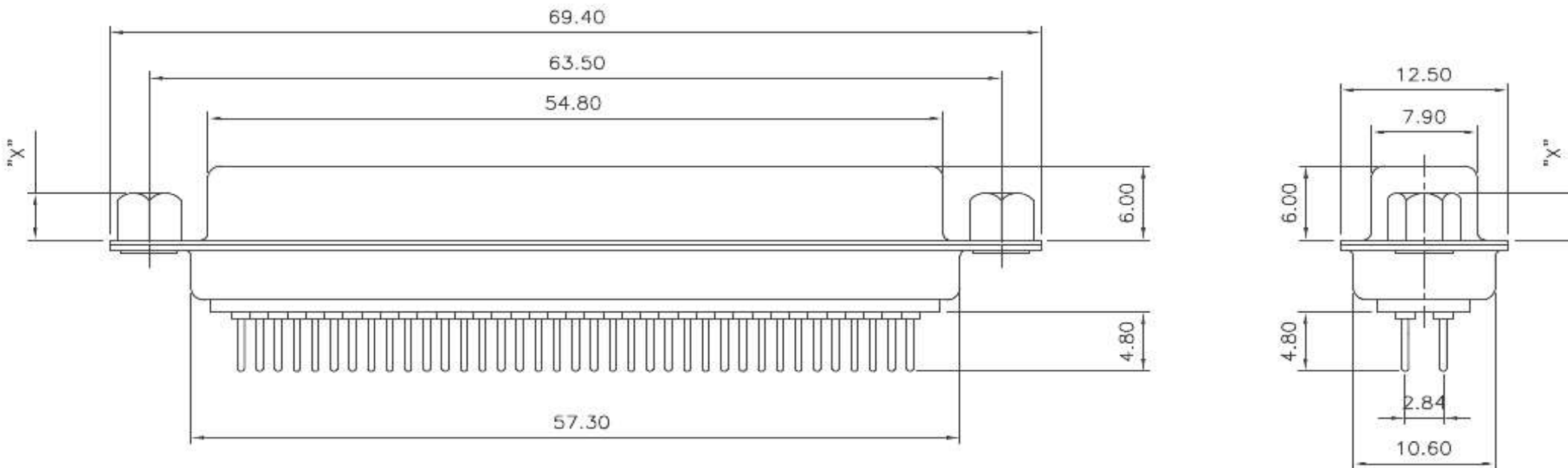
[www.edcon-components.com](http://www.edcon-components.com)

email: [info@edcon-components.com](mailto:info@edcon-components.com)

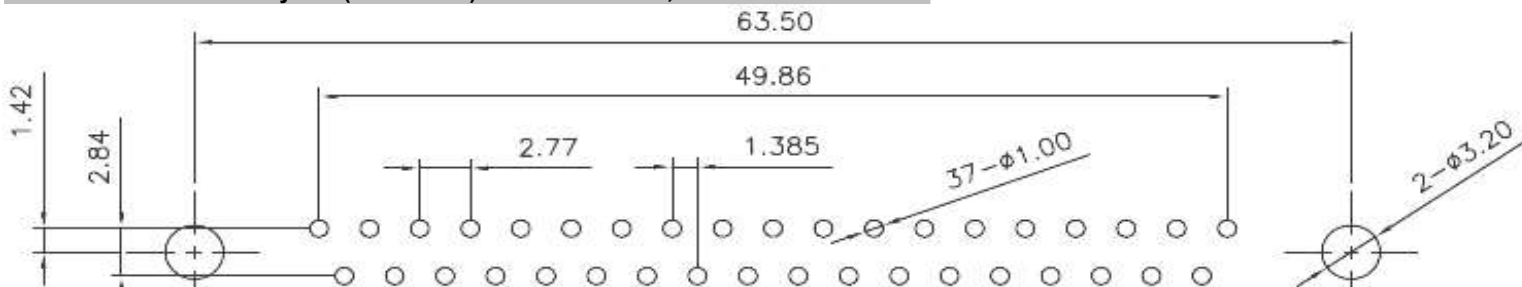
# EDCON-COMPONENTS



## Technical Dimension (mm)



## PCB-Layout (TOP-VIEW) Tolerances +/- 0,10mm



D-SUB / Stamped Pin / PCB-Straight-Pin /  
HEX FRONT-RIVET / Female

Part No.: **T24E2021**

DRW:	Jason	CHKD	Wilson	MATL:	Wilson	TOLERANCE	Mason	DATE	05.02.2023
APPD:	Schumi			FINISH	Jamy		Sheet No.		3 from 5

Customer:

[www.edcon-components.com](http://www.edcon-components.com)

email: [info@edcon-components.com](mailto:info@edcon-components.com)

# EDCON-COMPONENTS



## Ordering Informations

Serie	No of Pin	Contact Type	Contact Plating	Shell Plating	Process Option	Parts Option	Contact Inserting Optio	Insulator Colour	ROHS	Packing Code
-------	-----------	--------------	-----------------	---------------	----------------	--------------	-------------------------	------------------	------	--------------

<b>T24E2021</b>	<b>37</b>	<b>F</b>	<b>SF</b>	<b>T</b>	<b>X</b>	<b>B</b>	<b>A</b>	<b>WH</b>	<b>R</b>	<b>TY</b>
-----------------	-----------	----------	-----------	----------	----------	----------	----------	-----------	----------	-----------

<b>37= 37Pos.</b>	<b>F= Female</b>	<b>SF= Gold flash (Standard)1μ</b>	<b>T= Tin + Dimple</b>	<b>C= Open-Hex-Rivet 3,8mm</b>	<b>B= Front Rivet</b>	<b>A= Fully loaded contact</b>	<b>WH= White Colour</b>	<b>R= ROHS Conform</b>	<b>TY= Tray Packing</b>
		<b>S1= Selective 3μ AU</b>					<b>N= NON ROHS Conform</b>		
		<b>S2= Selectiv 5μ AU</b>		<b>D= Open-Hex-Rivet 5,8mm</b>			<b>BK= Black Colour</b>		<b>BU= Bulk-Ware</b>
		<b>S3= Selectiv 15μ AU</b>					<b>BL= Blue Colour</b>		
		<b>S4= Selectiv 30μ AU</b>		<b>K= Open-Hex-Rivet 2,5mm</b>					<b>IV= Individual Package</b>
				<b>F= Closed-Hex-Rivet 5,8mm</b>					

**D-SUB / Stamped Pin / PCB-Straight-Pin / HEX FRONT-RIVET / Female**

Part No.: **T24E2021**

DRW:	Jason	CHKD	Wilson	MATL:	Wilson	TOLERANCE	Mason	DATE	05.02.2023	Customer:
APPD:	Schumi			FINISH	Jamy		Sheet No.	4 from 5		



Soldering Profile Curve

Classification Reflow Profile (JEDEC J-STD-020C)



D-SUB / Stamped Pin / PCB-Straight-Pin /  
HEX FRONT-RIVET / Female

Part No.: **T24E2021**

DRW:	Jason	CHKD:	Wilson	MATL:	Wilson	TOLERANCE:	Mason	DATE:	05.02.2023
APPD:	Schumi			FINISH:	Jamy		Sheet No.		5 from 5

Customer: