



DATA SHEET

D-SUB / Machined Pin / PCB-Straight / Boardlock Rivet / Female

Serie: T24D9049

D-SUB / Machined Pin / PCB-Straight / Boardlock Rivet / Female
Serie No.: T24D9049
Customer:

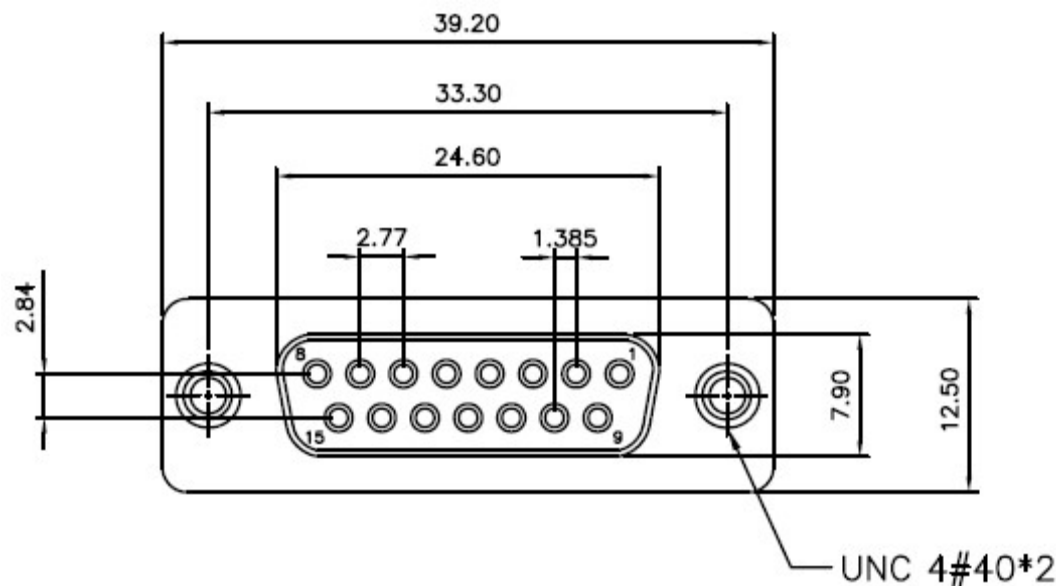
DRW:	Jason	CHKD	Wilson	MATL:	Wilson	TOLERANCE	Mason	DATE	31.01.2023
APPD:	Schumi			FINISH	Jamy		Sheet No.		1 from 15



Technical Informations

Material	
Insulator	PBT +30% GF rated UL-94-V0
Contact:	Brass C3602
Shell:	Steel
Rivet / Boardlock::	Copper Alloy
Contact Plating:	Gold Flash over 40µ Nickel on all area, Contact area see Ordering
Electrical	
Opening Voltage:	250VAC max.
Current Rating:	3,0A max.
Contact Resistance:	15m Ω max.
Insulation Resistance:	3000M Ω min. @ 500VDC
Dielectric withstanding Voltage:	1000VAC 1 Minute
Mechanical:	
Operating Temperature Range:	.-55°C to + 105°C

Technical Dimensions (mm)



Tolerances unless otherwise specified (mm)

X	X.X	X.XX	X.XXX	Angle
±0,5	±0,3	±0,2	±	±5°

D-SUB / Machined Pin / PCB-Straight / Boardlock Rivet / Female

Part No.: **T24D9049**

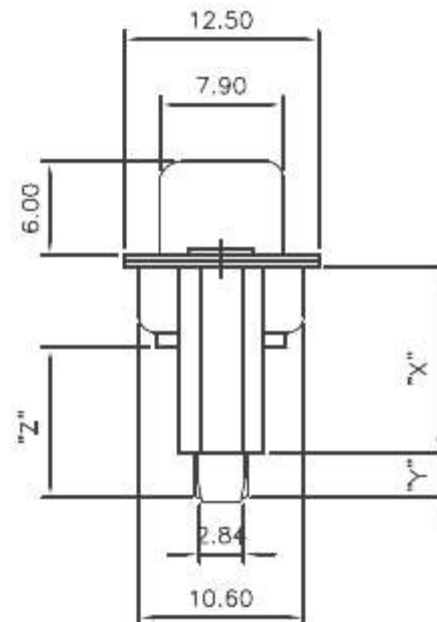
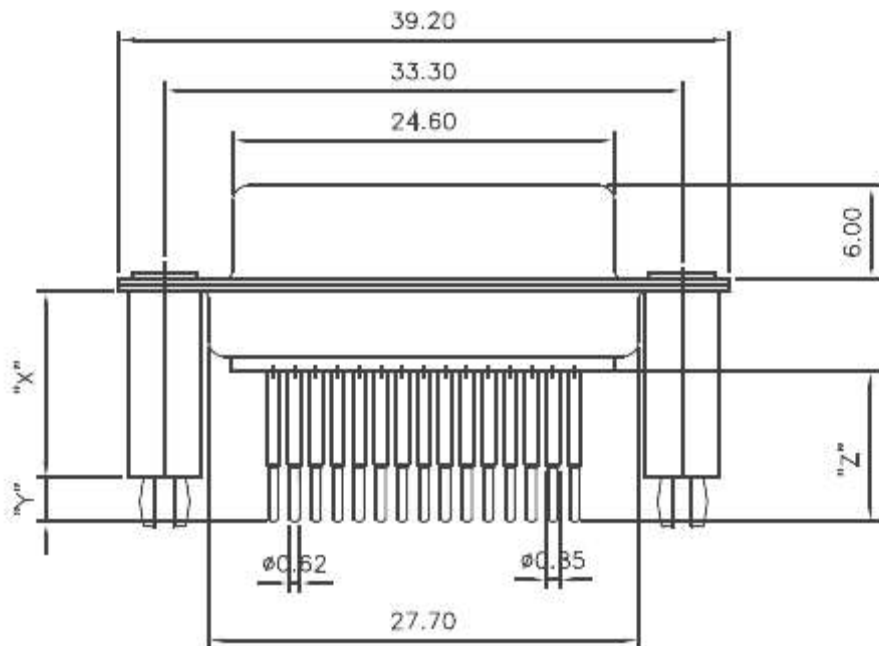
DRW:	Jason	CHKD	Wilson	MATL:	Wilson	TOLERANCE	Mason	DATE	31.01.2023
APPD:	Schumi	182AE15MGPF EA3		FINISH	Jamy		Sheet No.	2 from 5	

Customer:

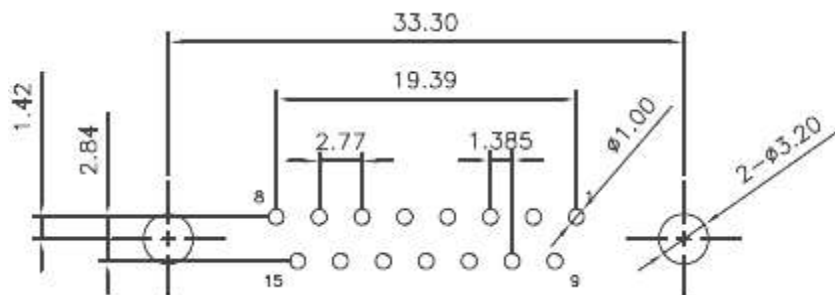
EDCON-COMPONENTS



Technical Dimension (mm)



PCB-Layout (TOP-VIEW) To. +/- 0,10mm



D-SUB / Machined Pin / PCB-Straight / Boardlock Rivet / Female

Part No.: **T24D9049**

DRW:	Jason	CHKD	Wilson	MATL:	Wilson	TOLERANCE	Mason	DATE	31.01.2023
APPD:	Schumi			FINISH	Jamy		Sheet No.		3 from 5

Customer:

www.edcon-components.com

email: info@edcon-components.com

EDCON-COMPONENTS



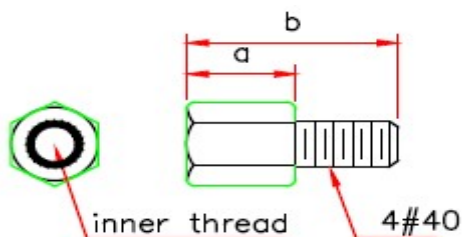
Ordering Informations

Serie	No of Pin	Contact Type	Contact Plating	Shell Plating	Process Option X,Y	Parts Option	Pin Length Option (Z)	Insulator Colour	ROHS	Packing Code
-------	-----------	--------------	-----------------	---------------	--------------------	--------------	-----------------------	------------------	------	--------------

T24D9049	15	F	GF	T	X	X	A	WH	R	TY
-----------------	-----------	----------	-----------	----------	----------	----------	----------	-----------	----------	-----------

		GF= Gold flash (Standard)	T= Tin + Dimple				A= 9,70mm	WH= White	R= ROHS Conform	TY= Tray Packing
15= 15Pos.	F= Female	G1= 3µ AU		N= Boardlock Rivet 12,0mm X12,00/ Y2,90mm	E= Rear Rivet	B= 11,70mm		BK= Black	N= NON ROHS Conform	
		G2= 5µ AU		Q= Boardlock Rivet 14,0mm X14,00/ Y2,90mm	F= Rear Rivet + Loose Screw 5,0x10,0mm	C= 15,00mm		BL= Blue		BU= Bulk-Ware
		G3= 15µ AU		T= Boardlock Rivet 17,0mm X17,00/ Y3,20mm	H= Rear Rivet + Loose Screw 4,8x11,8mm	D= 17,30mm				IV= Individual Package
		G4= 30µ AU		V= Boardlock Rivet 19,0mm X19,00/ Y3,50mm	J= Rear Rivet + Loose Screw 5,8x12,0mm					
					I= Rear Rivet + Fixed Screw 4,8x11,8mm					
					G= Rear Rivet + Fixed Screw 5,0x10,0mm	K= Rear Rivet + Fixed Screw 5,8x12,0mm				

Parts Option Code



parts no.	DIM. a	DIM. b	inner thread
F,G	5.0	10.0	4#40
H,I	4.8	11.8	4#40
J,K	5.8	12.0	4#40

D-SUB / Machined Pin / PCB-Straight / Boardlock Rivet / Female

Part No.: **T24D9049**

DRW:	Jason	CHKD	Wilson	MATL:	Wilson	TOLERANCE	Mason	DATE	31.01.2023	Customer:
APPD:	Schumi			FINISH	Jamy		Sheet No.		4 from 5	



Soldering Profile Curve

Classification Reflow Profile (JEDEC J-STD-020C)



D-SUB / Machined Pin / PCB-Straight / Boardlock Rivet / Female	
Part No.:	T24D9049
Customer:	

DRW:	Jason	CHKD:	Wilson	MATL:	Wilson	TOLERANCE:	Mason	DATE:	31.01.2023
APPD:	Schumi			FINISH:	Jamy		Sheet No.		5 from 5