

DATA SHEET

D-SUB / Machined Pin / PCB-Straight / Boardlock Rivet / Male

Serie: T24D9044

| | |
|--|-----------------|
| D-SUB / Machined Pin / PCB-Straight / Boardlock Rivet / Male | |
| Serie No.: | T24D9044 |
| Customer: | |

| | | | | | | | | | |
|-------|--------|------|--------|--------|--------|-----------|-----------|------|------------|
| DRW: | Jason | CHKD | Wilson | MATL: | Wilson | TOLERANCE | Mason | DATE | 31.01.2023 |
| APPD: | Schumi | | | FINISH | Jamy | | Sheet No. | | 1 from 15 |

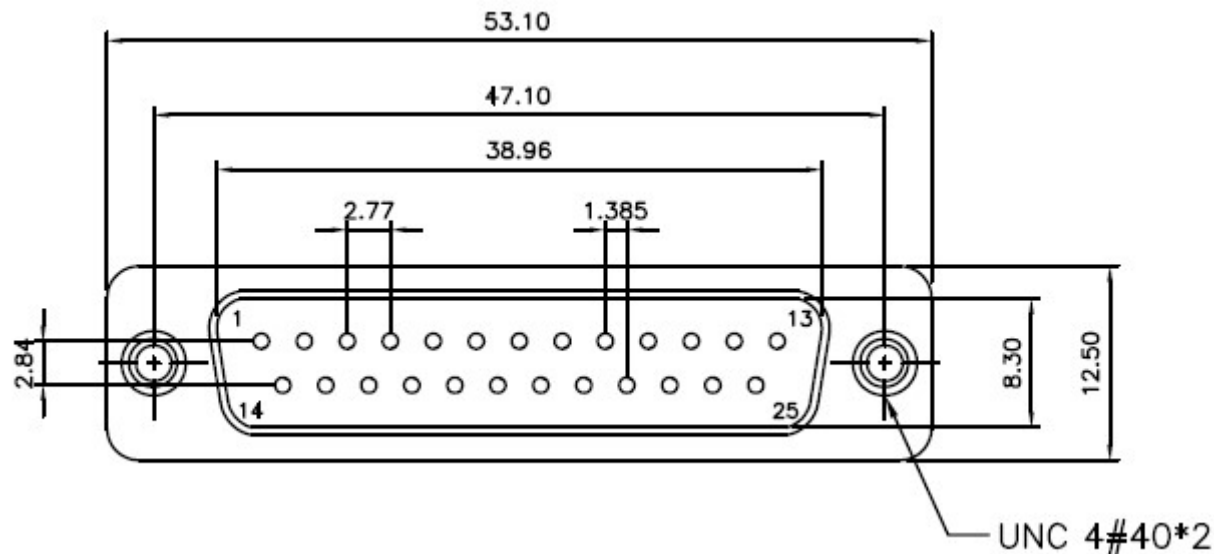
EDCON-COMPONENTS



Technical Informations

| | |
|----------------------------------|---|
| Material | |
| Insulator | PBT +30% GF rated UL-94-V0 |
| Contact: | Brass C3602 |
| Shell: | Steel |
| Rivet / Boardlock:: | Copper Alloy |
| | |
| Contact Plating: | Gold Flash over 40µ Nickel on all area, Contact area see Ordering |
| | |
| Electrical | |
| Opening Voltage: | 250VAC max. |
| Current Rating: | 3,0A max. |
| Contact Resistance: | 15m Ω max. |
| Insulation Resistance: | 3000M Ω min. @ 500VDC |
| Dielectric withstanding Voltage: | 1000VAC 1 Minute |
| | |
| Mechanical: | |
| Operating Temperature Range: | .-55°C to + 105°C |

Technical Dimensions (mm)



| Tolerances unless otherwise specified (mm) | | | | |
|--|------|------|-------|-------|
| X | X.X | X.XX | X.XXX | Angle |
| ±0,5 | ±0,3 | ±0,2 | ± | ±5° |

D-SUB / Machined Pin / PCB-Straight / Boardlock Rivet / Male

Part No.: **T24D9044**

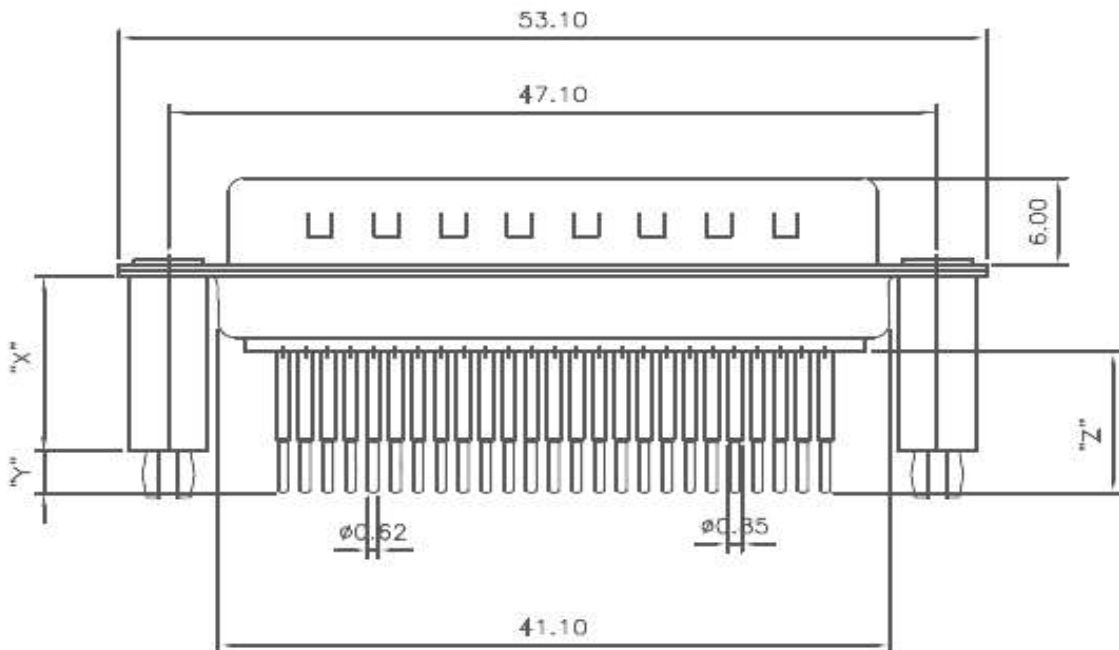
| | | | | | | | | | |
|-------|--------|----------------|--------|--------|--------|-----------|-----------|------|------------|
| DRW: | Jason | CHKD | Wilson | MATL: | Wilson | TOLERANCE | Mason | DATE | 31.01.2023 |
| APPD: | Schumi | 182AE15MGPFEA3 | | FINISH | Jamy | | Sheet No. | | 2 from 5 |

Customer:

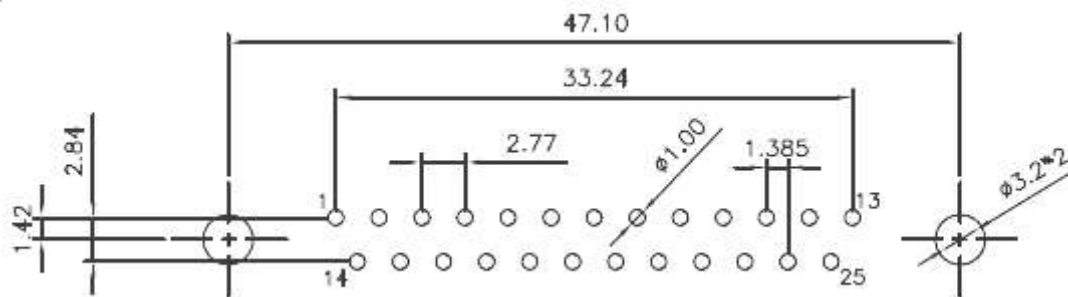
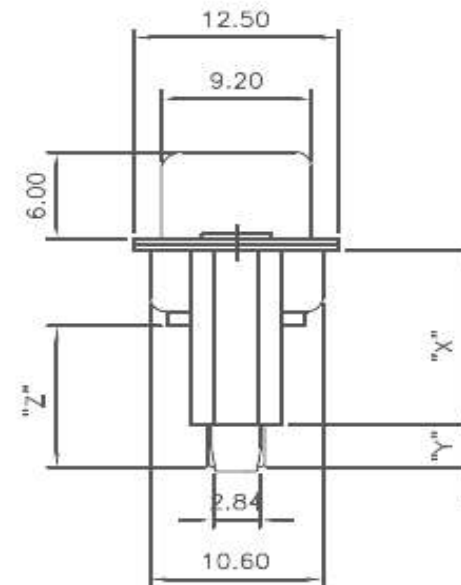
EDCON-COMPONENTS



Technical Dimension (mm)



PCB-Layout (TOP-VIEW) To. +/- 0,10mm



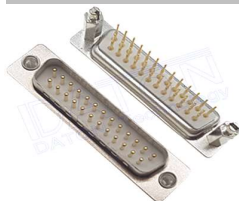
D-SUB / Machined Pin / PCB-Straight /
Boardlock Rivet / Male

Part No.: **T24D9044**

| | | | | | | | | | |
|-------|--------|------|--------|--------|--------|-----------|-----------|------|------------|
| DRW: | Jason | CHKD | Wilson | MATL: | Wilson | TOLERANCE | Mason | DATE | 31.01.2023 |
| APPD: | Schumi | | | FINISH | Jamy | | Sheet No. | | 3 from 5 |

Customer:

EDCON-COMPONENTS



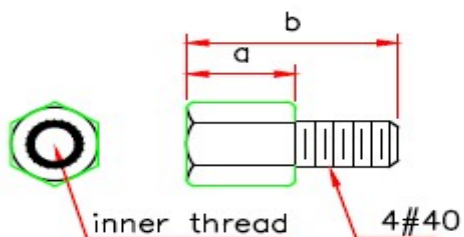
Ordering Informations

| Serie | No of Pin | Contact Type | Contact Plating | Shell Plating | Process Option X,Y | Parts Option | Pin Length Option (Z) | Insulator Colour | ROHS | Packing Code |
|-------|-----------|--------------|-----------------|---------------|--------------------|--------------|-----------------------|------------------|------|--------------|
|-------|-----------|--------------|-----------------|---------------|--------------------|--------------|-----------------------|------------------|------|--------------|

| | | | | | | | | | | |
|-----------------|-----------|----------|-----------|----------|----------|----------|----------|-----------|----------|-----------|
| T24D9044 | 25 | M | GF | T | X | X | A | WH | R | TY |
|-----------------|-----------|----------|-----------|----------|----------|----------|----------|-----------|----------|-----------|

| | | | | | | | | | | |
|-------------------|----------------|----------------------------------|------------------------|--|---|---|-------------------|------------------|----------------------------|-------------------------------|
| | M= Male | GF= Gold flash (Standard) | T= Tin + Dimple | | | | A= 9,70mm | WH= White | R= ROHS Conform | TY= Tray Packing |
| | | G1= 3µ AU | | N= Boardlock Rivet 12,0mm X12,00/ Y2,90mm | E= Rear Rivet | B= 11,70mm | | BK= Black | N= NON ROHS Conform | |
| 25= 25Pos. | | G2= 5µ AU | | Q= Boardlock Rivet 14,0mm X14,00/ Y2,90mm | F= Rear Rivet + Loose Screw 5,0x10,0mm | | C= 15,00mm | BL= Blue | | BU= Bulk-Ware |
| | | G3= 15µ AU | | T= Boardlock Rivet 17,0mm X17,00/ Y3,20mm | H= Rear Rivet + Loose Screw 4,8x11,8mm | | D= 17,30mm | | | IV= Individual Package |
| | | G4= 30µ AU | | V= Boardlock Rivet 19,0mm X19,00/ Y3,50mm | J= Rear Rivet + Loose Screw 5,8x12,0mm | I= Rear Rivet + Fixed Screw 4,8x11,8mm | | | | |
| | | | | | G= Rear Rivet + Fixed Screw 5,0x10,0mm | K= Rear Rivet + Fixed Screw 5,8x12,0mm | | | | |

Parts Option Code



| parts no. | DIM. a | DIM. b | inner thread |
|-----------|--------|--------|--------------|
| F,G | 5.0 | 10.0 | 4#40 |
| H,I | 4.8 | 11.8 | 4#40 |
| J,K | 5.8 | 12.0 | 4#40 |

D-SUB / Machined Pin / PCB-Straight / Boardlock Rivet / Male

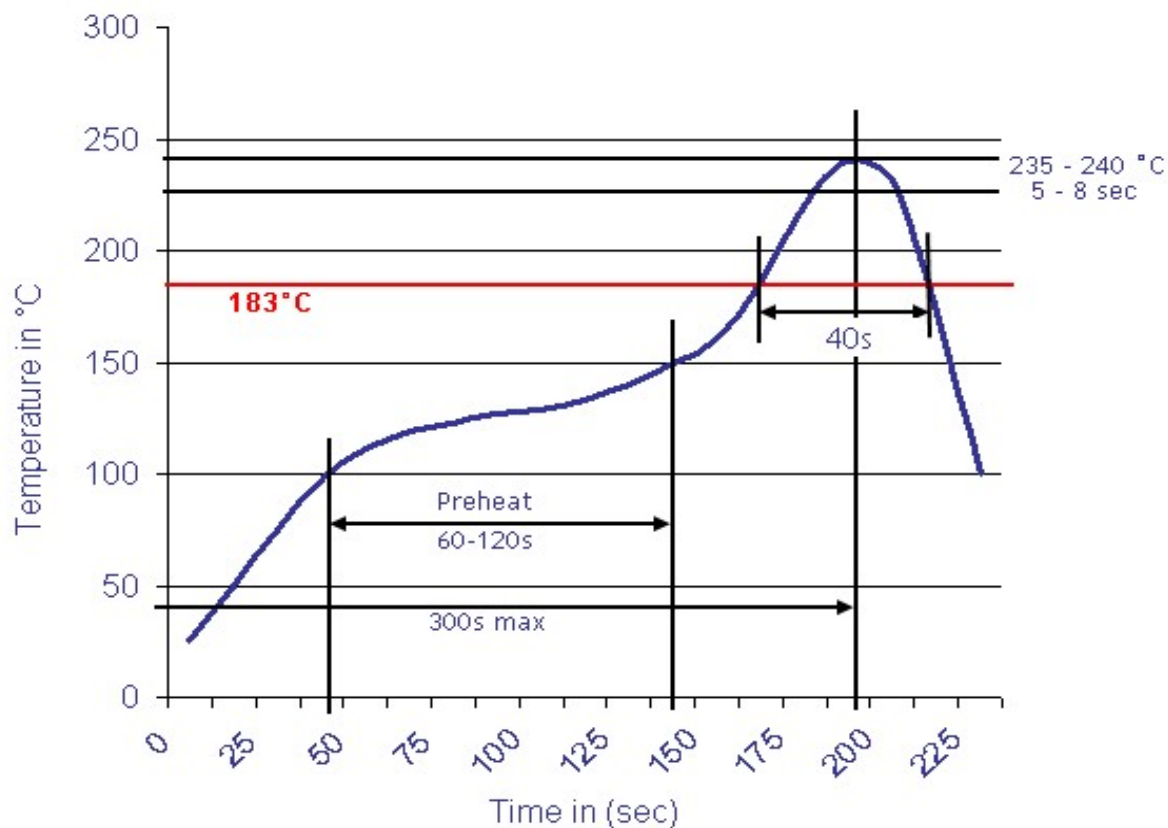
Part No.: **T24D9044**

| | | | | | | | | | | |
|-------|--------|------|--------|--------|--------|-----------|-----------|------|------------|-----------|
| DRW: | Jason | CHKD | Wilson | MATL: | Wilson | TOLERANCE | Mason | DATE | 31.01.2023 | Customer: |
| APPD: | Schumi | | | FINISH | Jamy | | Sheet No. | | 4 from 5 | |



Soldering Profile Curve

Classification Reflow Profile (JEDEC J-STD-020C)



| | |
|--|-----------------|
| D-SUB / Machined Pin / PCB-Straight / Boardlock Rivet / Male | |
| Part No.: | T24D9044 |
| Customer: | |

| | | | | | | | | | |
|-------|--------|-------|--------|---------|--------|------------|-----------|-------|------------|
| DRW: | Jason | CHKD: | Wilson | MATL: | Wilson | TOLERANCE: | Mason | DATE: | 31.01.2023 |
| APPD: | Schumi | | | FINISH: | Jamy | | Sheet No. | | 5 from 5 |