



# DATA SHEET

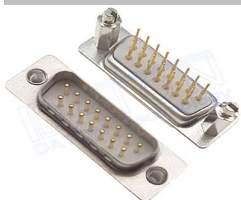
D-SUB / Machined Pin / PCB-Straight / Boardlock Rivet / Male

**Serie: T24D9043**

<b>D-SUB / Machined Pin / PCB-Straight / Boardlock Rivet / Male</b>	
Serie No.:	<b>T24D9043</b>
Customer:	

DRW:	Jason	CHKD	Wilson	MATL:	Wilson	TOLERANCE	Mason	DATE	31.01.2023
APPD:	Schumi			FINISH	Jamy		Sheet No.		1 from 15

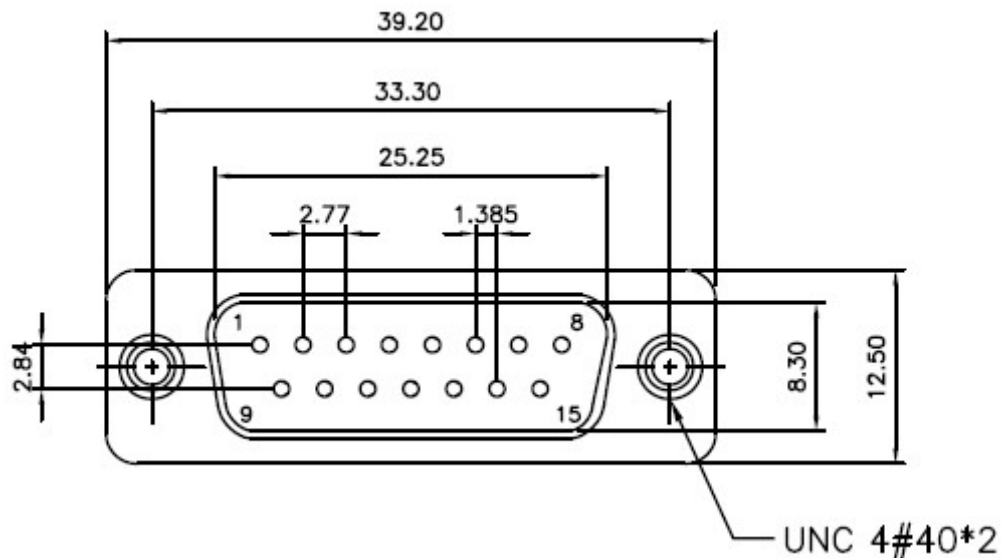
# EDCON-COMPONENTS



## Technical Informations

<b>Material</b>	
Insulator	PBT +30% GF rated UL-94-V0
Contact:	Brass C3602
Shell:	Steel
Rivet / Boardlock::	Copper Alloy
Contact Plating:	Gold Flash over 40µ Nickel on all area, Contact area see Ordering
<b>Electrical</b>	
Opening Voltage:	250VAC max.
Current Rating:	3,0A max.
Contact Resistance:	15m Ω max.
Insulation Resistance:	3000M Ω min. @ 500VDC
Dielectric withstanding Voltage:	1000VAC 1 Minute
<b>Mechanical:</b>	
Operating Temperature Range:	.-55°C to + 105°C

## Technical Dimensions (mm)



Tolerances unless otherwise specified (mm)					D-SUB / Machined Pin / PCB-Straight / Boardlock Rivet / Male
X	X.X	X.XX	X.XXX	Angle	
±0,5	±0,3	±0,2	±	±5°	Part No.: <b>T24D9043</b>
DRW: Jason	CHKD: Wilson	MATL: Wilson	DATE: 31.01.2023	Customer:	
APPD: Schumi	182AE15MGPFEA3	FINISH: Jamy	Sheet No. 2 from 5		

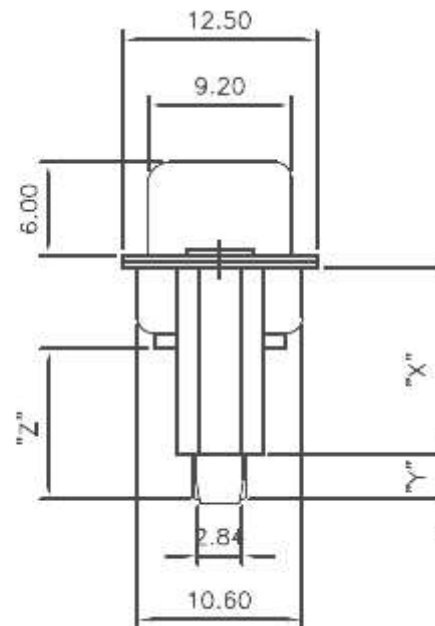
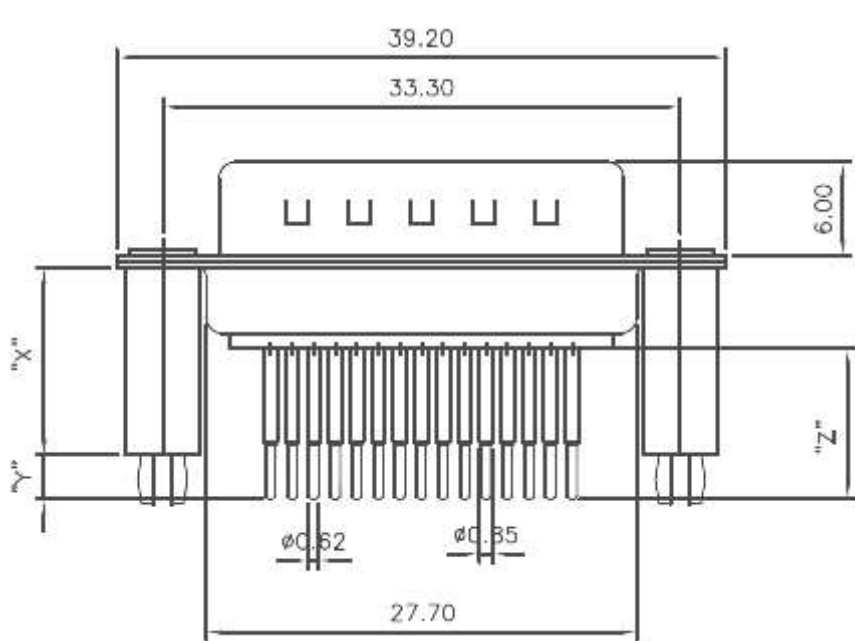
[www.edcon-components.com](http://www.edcon-components.com)

email: [info@edcon-components.com](mailto:info@edcon-components.com)

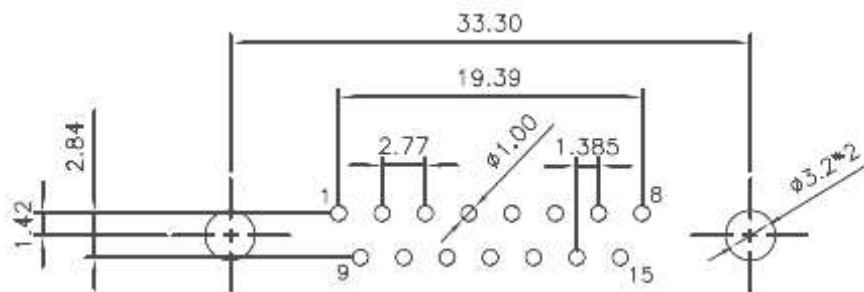
# EDCON-COMPONENTS



## Technical Dimension (mm)



PCB-Layout (TOP-VIEW) TO: +/- 0,10mm



D-SUB / Machined Pin / PCB-Straight / Boardlock Rivet / Male

Part No.: **T24D9043**

DRW:	Jason	CHKD	Wilson	MATL:	Wilson	TOLERANCE	Mason	DATE	31.01.2023
APPD:	Schumi			FINISH	Jamy		Sheet No.		3 from 5

Customer:

[www.edcon-components.com](http://www.edcon-components.com)

email: [info@edcon-components.com](mailto:info@edcon-components.com)

# EDCON-COMPONENTS



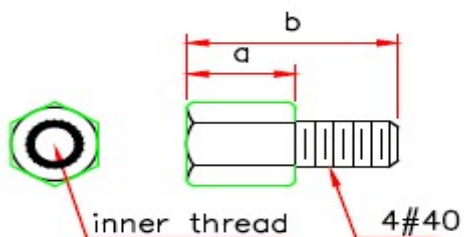
## Ordering Informations

Serie	No of Pin	Contact Type	Contact Plating	Shell Plating	Process Option X,Y	Parts Option	Pin Length Option (Z)	Insulator Colour	ROHS	Packing Code
-------	-----------	--------------	-----------------	---------------	--------------------	--------------	-----------------------	------------------	------	--------------

<b>T24D9043</b>	<b>15</b>	<b>M</b>	<b>GF</b>	<b>T</b>	<b>X</b>	<b>X</b>	<b>A</b>	<b>WH</b>	<b>R</b>	<b>TY</b>
-----------------	-----------	----------	-----------	----------	----------	----------	----------	-----------	----------	-----------

	<b>M= Male</b>	<b>GF= Gold flash (Standard)</b>	<b>T= Tin + Dimple</b>				<b>A= 9,70mm</b>	<b>WH= White</b>	<b>R= ROHS Conform</b>	<b>TY= Tray Packing</b>
<b>15= 15Pos.</b>		<b>G1= 3µ AU</b>		<b>N= Boardlock Rivet 12,0mm X12,00/ Y2,90mm</b>	<b>E= Rear Rivet</b>	<b>B= 11,70mm</b>		<b>BK= Black</b>	<b>N= NON ROHS Conform</b>	
		<b>G2= 5µ AU</b>		<b>Q= Boardlock Rivet 14,0mm X14,00/ Y2,90mm</b>	<b>F= Rear Rivet + Loose Screw 5,0x10,0mm</b>	<b>C= 15,00mm</b>		<b>BL= Blue</b>		<b>BU= Bulk-Ware</b>
		<b>G3= 15µ AU</b>		<b>T= Boardlock Rivet 17,0mm X17,00/ Y3,20mm</b>	<b>H= Rear Rivet + Loose Screw 4,8x11,8mm</b>	<b>D= 17,30mm</b>				<b>IV= Individual Package</b>
		<b>G4= 30µ AU</b>		<b>V= Boardlock Rivet 19,0mm X19,00/ Y3,50mm</b>	<b>J= Rear Rivet + Loose Screw 5,8x12,0mm</b>					
					<b>I= Rear Rivet + Fixed Screw 4,8x11,8mm</b>					
					<b>G= Rear Rivet + Fixed Screw 5,0x10,0mm</b>					
					<b>K= Rear Rivet + Fixed Screw 5,8x12,0mm</b>					

Parts Option Code



parts no.	DIM. a	DIM. b	inner thread
F,G	5.0	10.0	4#40
H,I	4.8	11.8	4#40
J,K	5.8	12.0	4#40

**D-SUB / Machined Pin / PCB-Straight / Boardlock Rivet / Male**

Part No.: **T24D9043**

DRW:	Jason	CHKD	Wilson	MATL:	Wilson	TOLERANCE	Mason	DATE	31.01.2023	Customer:
APPD:	Schumi			FINISH	Jamy		Sheet No.		4 from 5	



## Soldering Profile Curve

### Classification Reflow Profile (JEDEC J-STD-020C)



D-SUB / Machined Pin / PCB-Straight /  
Boardlock Rivet / Male

Part No.: **T24D9043**

DRW:	Jason	CHKD	Wilson	MATL:	Wilson	TOLERANCE	Mason	DATE	31.01.2023
APPD:	Schumi			FINISH	Jamy		Sheet No.		5 from 5

Customer: