

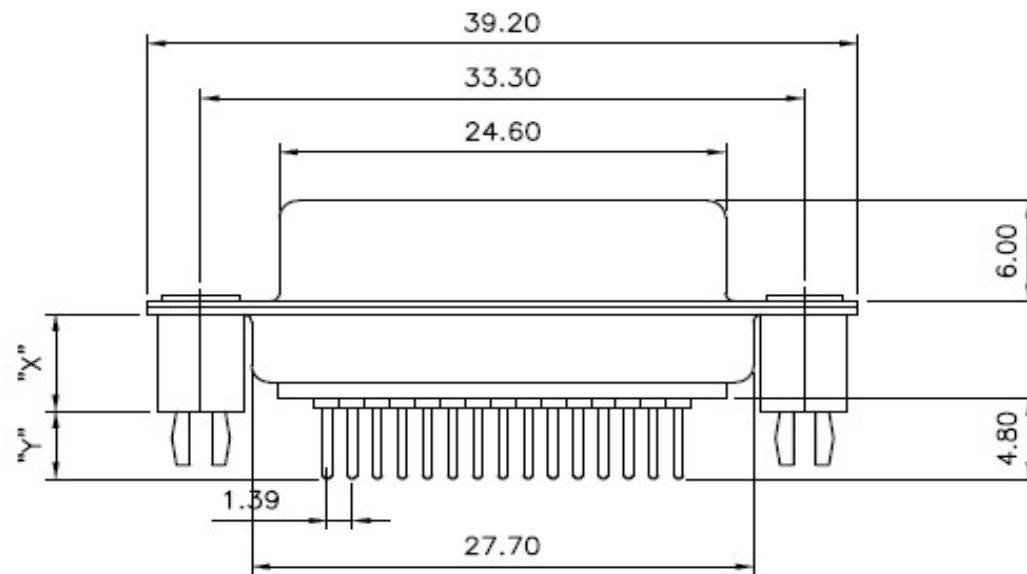
# EDCON-COMPONENTS



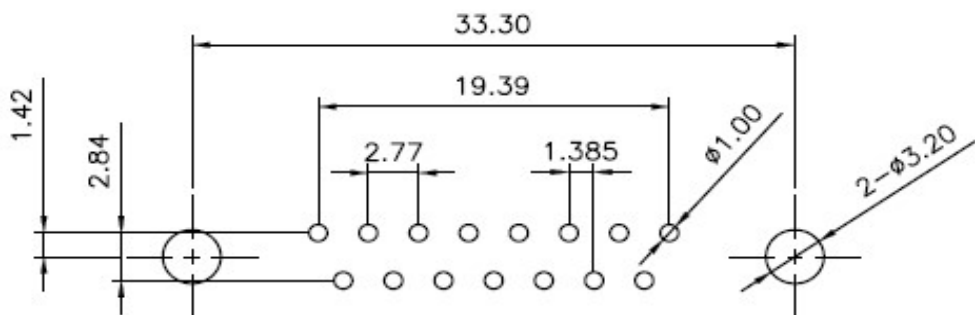
## Specifications

Voltage Rating:	250VAC
Current Rating:	3A
Operating Temperature:	.-55°C to +105°C
Contact Resistance:	15m Ohm max.
Withstanding Voltage:	1000VAC / minute
Insulation Resistance:	3000M Ohm min @ 500VDC
Insulator:	PBT, rated UL94V-0 (Standard)
Contact Material:	Brass ( Standard)
Shell:	Steel
Underplate:	50µ" Nickel
Contact Area:	1µ" ~ 30µ Gold ( like Order Code)

## Drawing ( dimensions all into mm)



## PCB-Layout (mm) TOP-VIEW



D-SUB-Connector Machined  
Contact PCB-Straight

Part No.: **T24D9028 -**

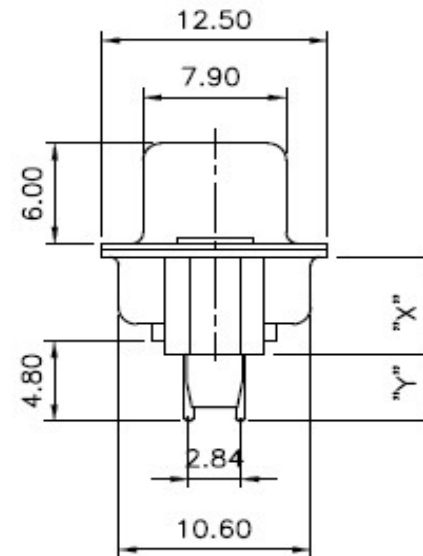
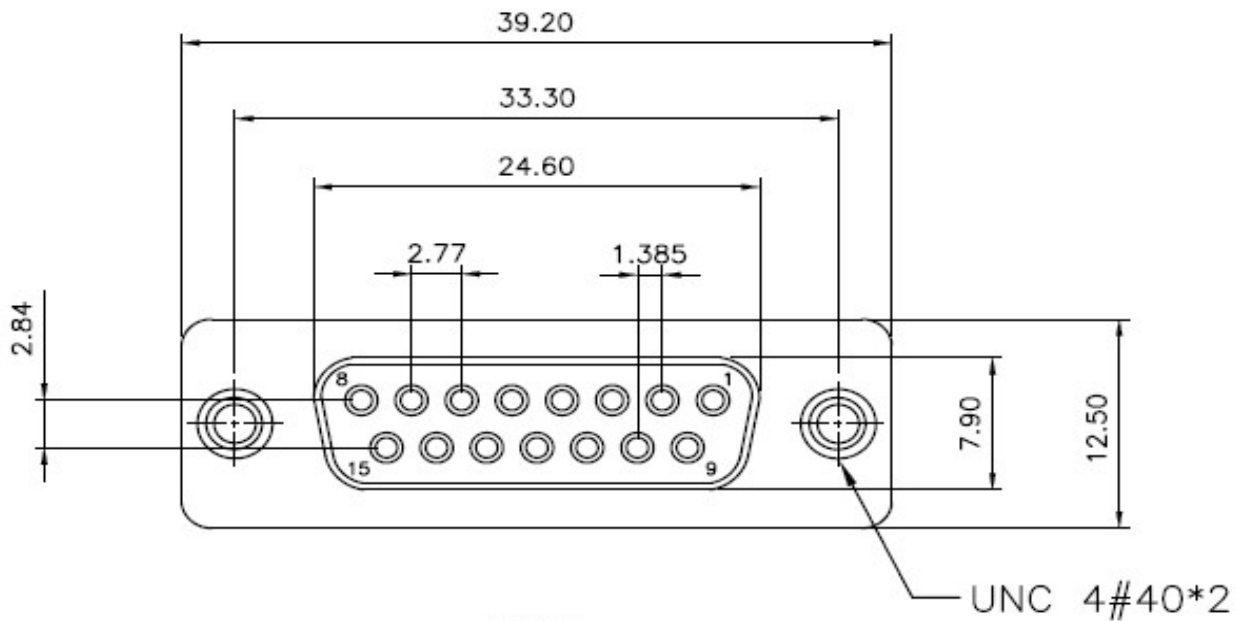
Customer:

X=	X.X=	X.XX=	X.XXX=	Angle
±0,35	±0,25	±0,20	±0,15	±5°
DRW: Jason	CHKD: Wilson	MATL: Wilson	TOLERANCE: Mason	DATE: 31.01.2023
APPD: Schumi	FINISH: Jamy	Sheet No.		1 from 3

# EDCON-COMPONENTS



Drawing ( dimensions all into mm)



D-SUB-Connector Machined Contact PCB-Straight	
Part No.:	<b>T24D9028 -</b>
Customer:	

DRW:	Jason	CHKD	Wilson	MATL:	Wilson	TOLERANCE	Mason	DATE	31.01.2023
APPD:	Schumi			FINISH	Jamy		Sheet No.		2 from 3

[www.edcon-components.com](http://www.edcon-components.com)

email: [info@edcon-components.com](mailto:info@edcon-components.com)

# EDCON-COMPONENTS

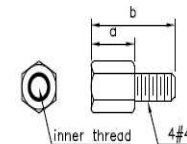


## Ordering Informations

Serie	No of Position	Contact Type	Contact Area Plating	Shell Plating	Option X , Y	Parts Option	Contact Inserting Opt	Insulator Colour	ROHS Conform	Package
-------	----------------	--------------	----------------------	---------------	--------------	--------------	-----------------------	------------------	--------------	---------

<b>T24D9028 -</b>	<b>15</b>	<b>F</b>	<b>GF</b>	<b>T</b>	<b>0</b>	<b>0</b>	<b>F</b>	<b>WH</b>	<b>Y</b>	<b>TY</b>
-------------------	-----------	----------	-----------	----------	----------	----------	----------	-----------	----------	-----------

	<b>F= Female</b>	<b>GF= Gold Flash</b>	<b>T= Tin Plated</b>	<b>0= No Parts Option</b>	<b>0= No Parts Option</b>	<b>F= Fully loaded contacts</b>	<b>WH= White</b>	<b>Y= Yes</b>	<b>TY= Tray</b>
<b>15= 15Pos.</b>		<b>A0= 3µ Gold</b>		<b>H= Boardlock Rivet</b> X=6,00mm Y=4,00mm	<b>1= Only Front Rivet</b>		<b>BK= Black</b>	<b>N= Non ROHS</b>	<b>IV= Individual Package</b>
		<b>A1= 5µ Gold</b>		<b>I= Boardlock Rivet</b> X=7,00mm Y=3,00mm	<b>E= Only REAR Rivet</b>		<b>BL= Blue</b>		
		<b>A2= 15µ Gold</b>			<b>F= REAR Rivet + Loose Screw</b> 5,0x10,0mm				
		<b>A3= 30µ Gold</b>		<b>J= Boardlock Rivet</b> X=8,00mm Y=2,00mm	<b>H= REAR Rivet + Loose Screw</b> 4,8x11,8mm				
					<b>J= REAR Rivet + Loose Screw</b> 5,8x12,0mm				
					<b>G= REAR Rivet + Fixed Screw</b> 5,0x10,0mm				
					<b>I= REAR Rivet + Fixed Screw</b> 4,8x11,8mm	<b>K= REAR Rivet + Fixed Screw</b> 5,8x12,0mm			



Part-No.	DIM a (mm)	DIM b (mm)	inner Thread
F, G	5,0	10,0	4#40
H, J	4,8	11,8	4#40
I, K	5,8	12,0	4#40

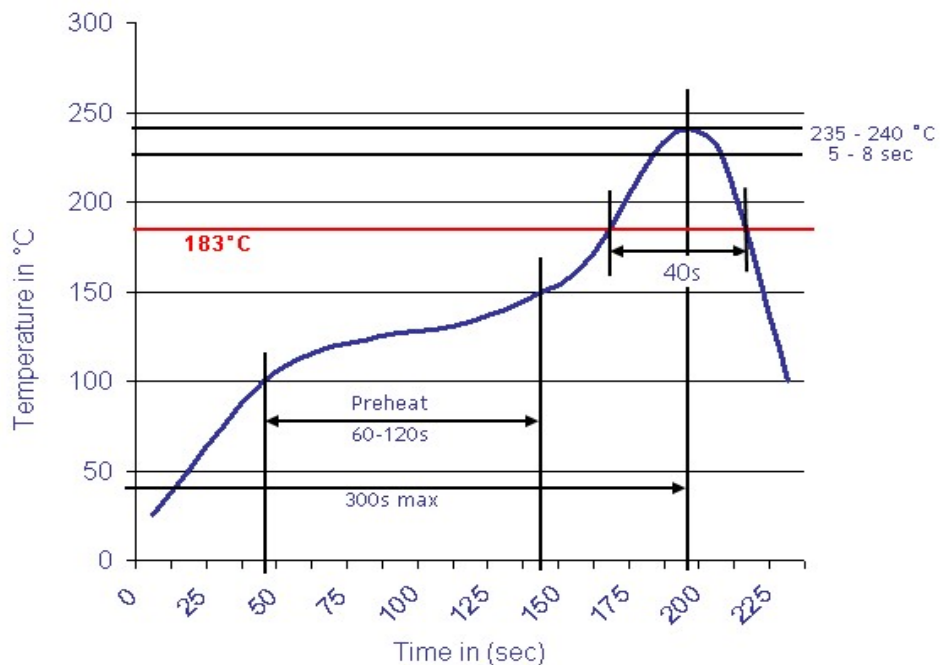
<b>D-SUB-Connector Machined Contact PCB-Straight</b>	
Part No.:	<b>T24D9028 -</b>

DRW:	Jason	CHKD	Wilson	MATL:	Wilson	TOLERANCE	Mason	DATE	31.01.2023	Customer:
APPD:	Schumi			FINISH	Jamy			Sheet No.	3 from 3	

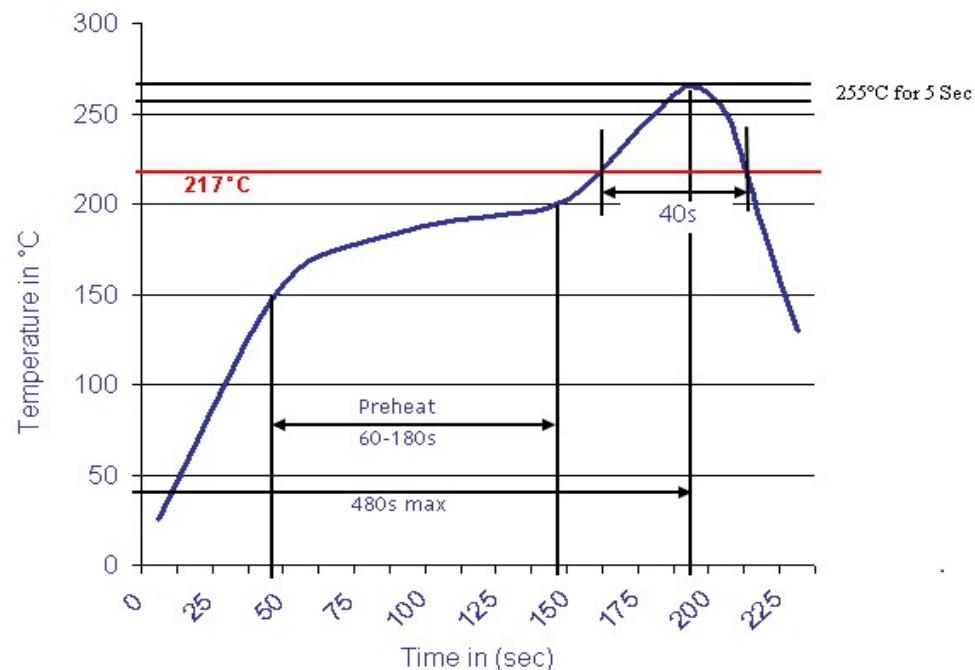


## Soldering Profile Curve

### Classification Reflow Profile (JEDEC J-STD-020C)



### Classification Reflow Profile (JEDEC J-STD-020C)



D-SUB-Connector Machined  
Contact PCB-Straight

Part No.: **T24D9028 -**

DRW:	Jason	CHKD	Wilson	MATL:	Wilson	TOLERANCE	Mason	DATE	31.01.2023	Customer:
APPD:	Schumi			FINISH	Jamy		Sheet No.	4 from 4		