

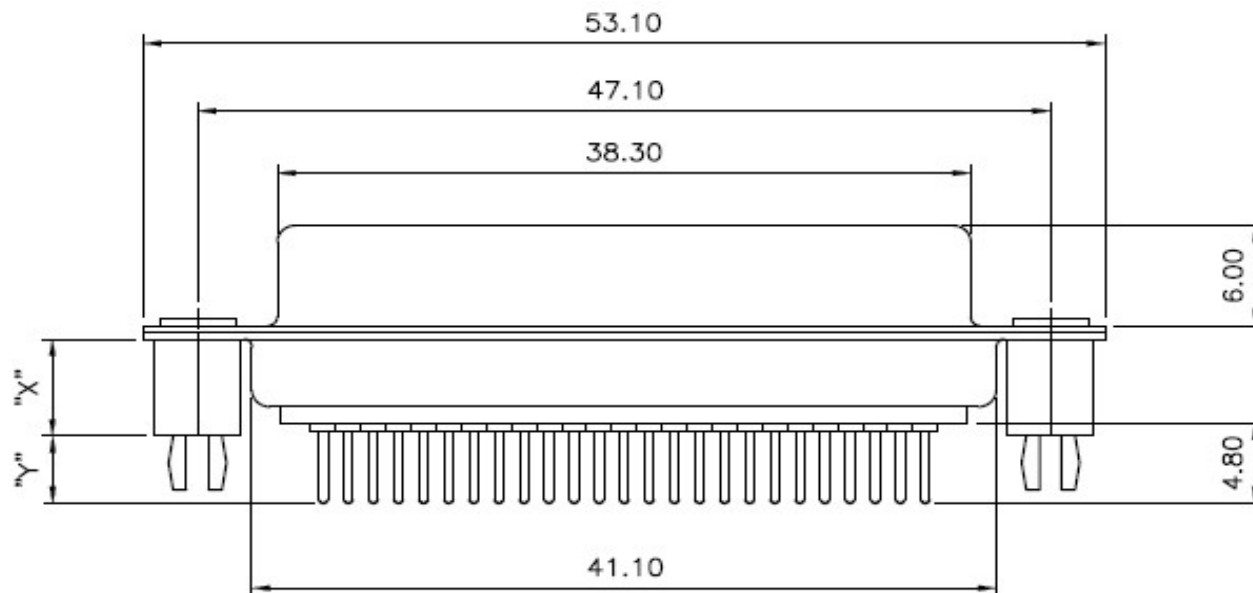
EDCON-COMPONENTS



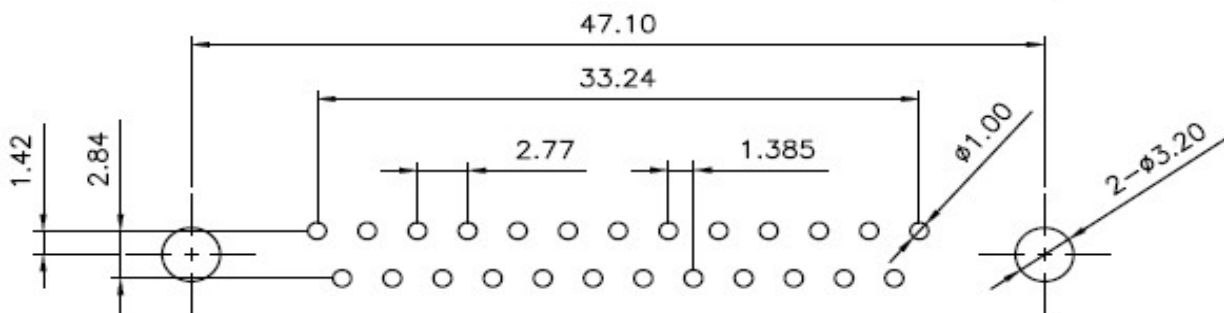
Specifications

Voltage Rating:	250VAC
Current Rating:	5A
Operating Temperature:	.-55°C to +105°C
Contact Resistance:	15m Ohm max.
Withstanding Voltage:	1000VAC / minute
Insulation Resistance:	3000M Ohm min @ 500VDC
Insulator:	PBT, rated UL94V-0 (Standard)
Contact Material:	Brass (Standard)
Shell:	Steel
Underplate:	50µ" Nickel
Contact Area:	1µ" ~ 30µ Gold (like Order Code)

Drawing (dimensions all into mm)



PCB-Layout (mm) TOP-VIEW



D-SUB-Connector Machined
Contact PCB-Straight

Part No.: **T24D9024 -**

Customer:

DRW:	Jason	CHKD	Wilson	MATL:	Wilson	TOLERANCE	Mason	DATE	31.01.2023
APPD:	Schumi			FINISH	Jamy			Sheet No.	1 from 3

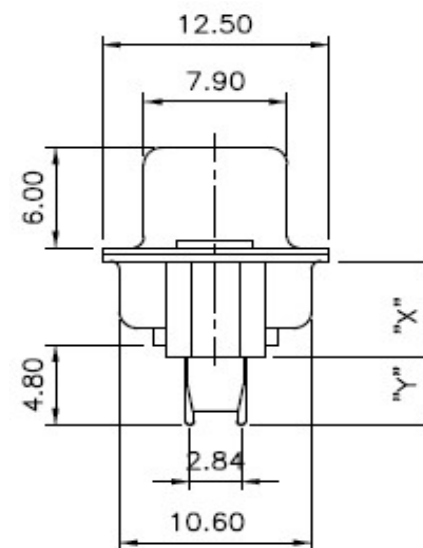
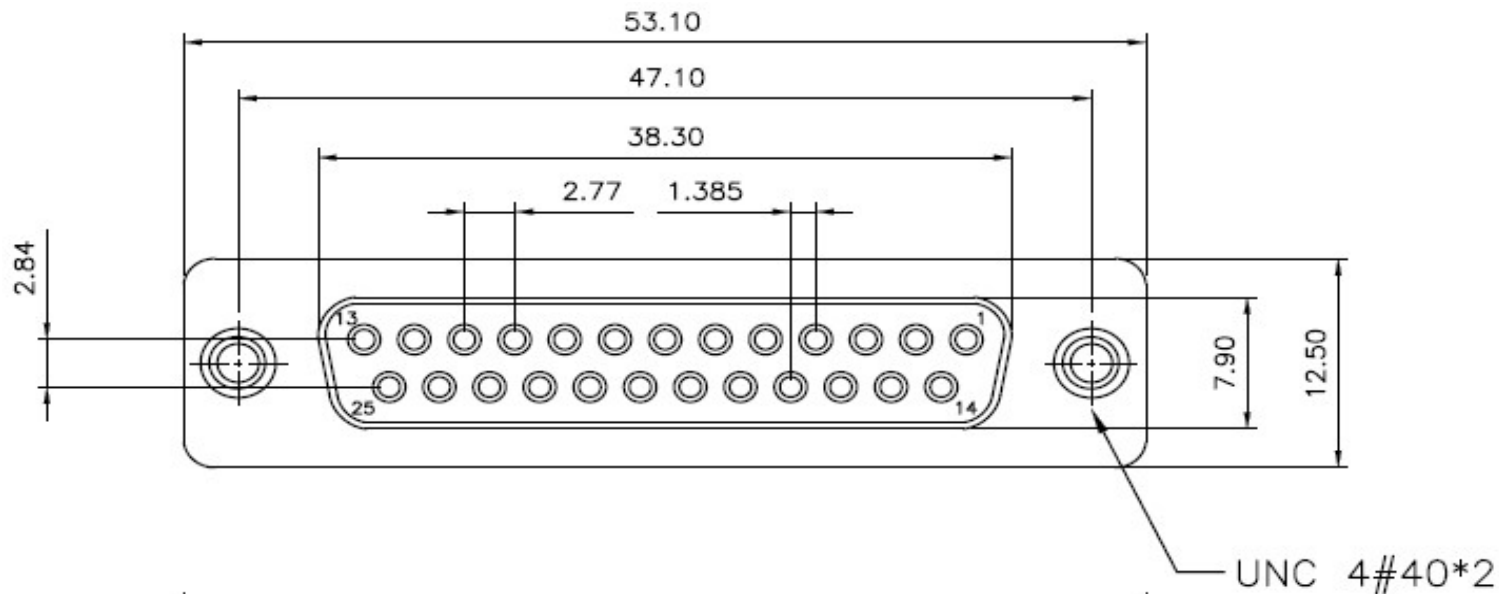
www.edcon-components.com

email: info@edcon-components.com

EDCON-COMPONENTS



Drawing (dimensions all into mm)



D-SUB-Connector Machined Contact PCB-Straight	
Part No.:	T24D9024 -
Customer:	

DRW:	Jason	CHKD	Wilson	MATL:	Wilson	TOLERANCE	Mason	DATE	31.01.2023
APPD:	Schumi			FINISH	Jamy		Sheet No.	2 from 3	

www.edcon-components.com

email: info@edcon-components.com

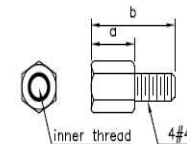
EDCON-COMPONENTS



Ordering Informations

Serie	No of Position	Contact Type	Contact Area Plating	Shell Plating	Option X , Y	Parts Option	Contact Inserting Opt	Insulator Colour	ROHS Conform	Package
T24D9024 -	25	F	GF	T	0	0	F	WH	Y	TY

	F= Female	GF= Gold Flash	T= Tin Plated	0= No Parts Option	0= No Parts Option	F= Fully loaded contacts	WH= White	Y= Yes	TY= Tray
		A0= 3µ Gold		H= Boardlock Rivet X=6,00mm Y=4,00mm	1= Only Front Rivet		BK= Black	N= Non ROHS	IV= Individual Package
25= 25Pos.		A1= 5µ Gold		I= Boardlock Rivet X=7,00mm Y=3,00mm	E= Only REAR Rivet		BL= Blue		
		A2= 15µ Gold		J= Boardlock Rivet X=8,00mm Y=2,00mm	F= REAR Rivet + Loose Screw 5,0x10,0mm				
		A3= 30µ Gold			H= REAR Rivet + Loose Screw 4,8x11,8mm				
					J= REAR Rivet + Loose Screw 5,8x12,0mm				
					G= REAR Rivet + Fixed Screw 5,0x10,0mm				
					I= REAR Rivet + Fixed Screw 4,8x11,8mm	K= REAR Rivet + Fixed Screw 5,8x12,0mm			



Part-No.	DIM a (mm)	DIM b (mm)	inner Thread
F, G	5,0	10,0	4#40
H, J	4,8	11,8	4#40
I, K	5,8	12,0	4#40

D-SUB-Connector Machined Contact PCB-Straight	
Part No.:	T24D9024 -

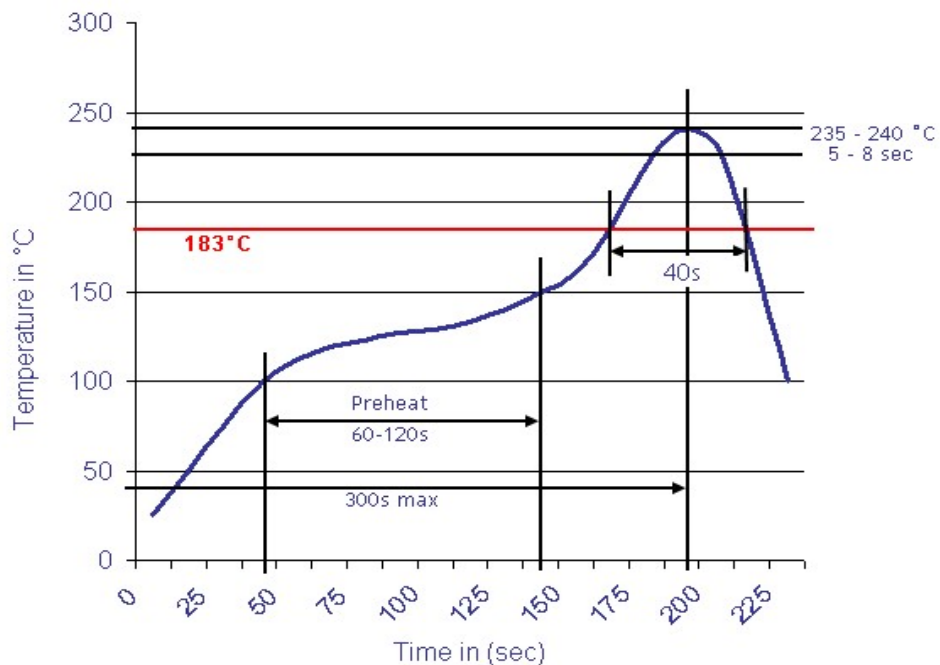
DRW:	Jason	CHKD	Wilson	MATL:	Wilson	TOLERANCE	Mason	DATE	31.01.2023	Customer:
APPD:	Schumi			FINISH	Jamy			Sheet No.	3 from 3	

EDCON-COMPONENTS

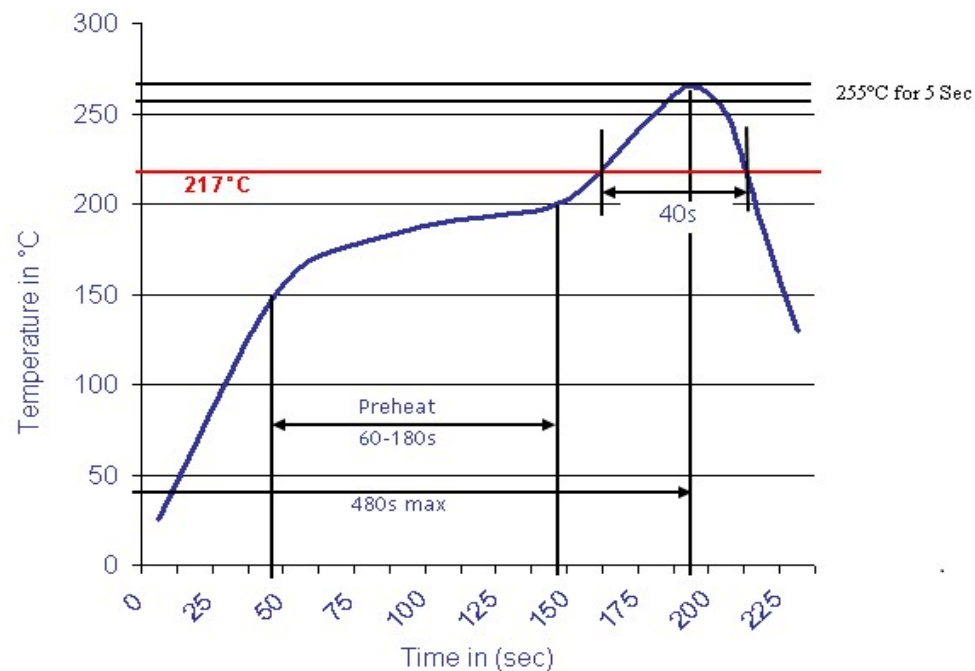


Soldering Profile Curve

Classification Reflow Profile (JEDEC J-STD-020C)



Classification Reflow Profile (JEDEC J-STD-020C)



D-SUB-Connector Machined
Contact PCB-Straight

Part No.: **T24D9024 -**

DRW:	Jason	CHKD	Wilson	MATL:	Wilson	TOLERANCE	Mason	DATE	31.01.2023	Customer:
APPD:	Schumi			FINISH	Jamy		Sheet No.	4 from 4		

www.edcon-components.com

email: info@edcon-components.com