



# DATA SHEET

D-SUB / Machined Pin / Solder-Lug / Rear-Hex-Rivet / Female

## Serie: T24D8027

<b>D-SUB / Machined Pin / Solder-Lug / Rear-Hex-Rivet / Female</b>	
Serie No.:	<b>T24D8027</b>
Customer:	

DRW:	Jason	CHKD	Wilson	MATL:	Wilson	TOLERANCE	Mason	DATE	29.01.2023
APPD:	Schumi			FINISH	Jamy		Sheet No.		1 from 15

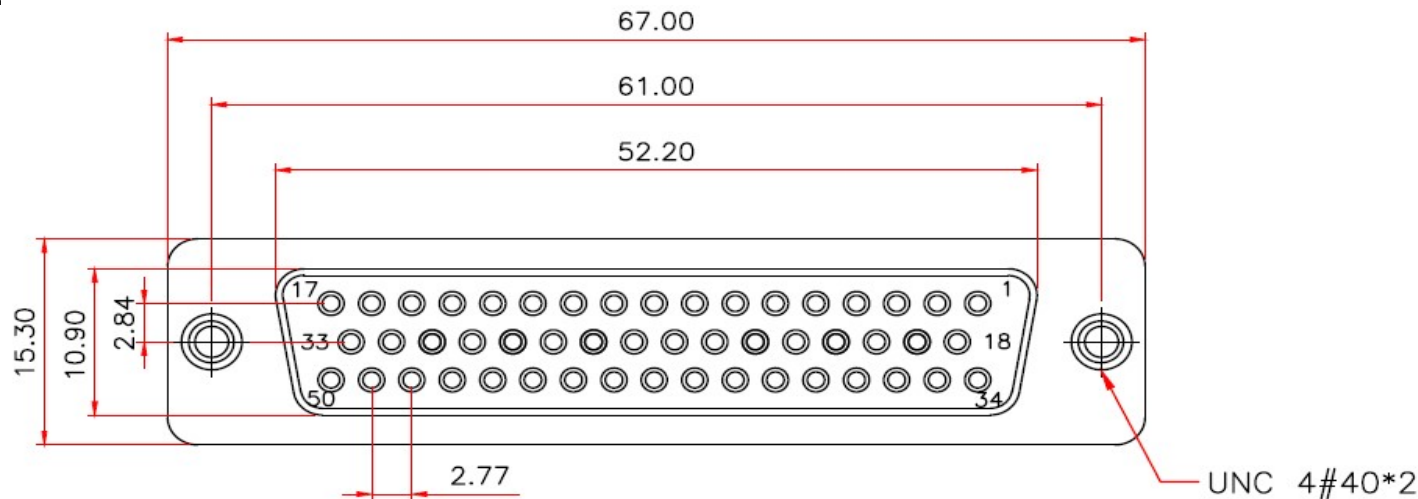
# EDCON-COMPONENTS



## Technical Informations

<b>Material</b>	
Insulator	PBT +30% GF rated UL-94-V0
Contact:	Brass C3602
Shell:	Steel
Rivet / Boardlock::	Copper Alloy
Contact Plating:	Gold Flash over 40µ Nickel on all area, Contact area see Ordering
<b>Electrical</b>	
Operating Voltage:	250VAC max.
Current Rating:	3,0A max.
Contact Resistance:	15m Ω max.
Insulation Resistance:	3000M Ω min. @ 500VDC
Dielectric withstanding Voltage:	1000VAC 1 Minute
<b>Mechanical:</b>	
Operating Temperature Range:	.-55°C to + 105°C

## Technical Dimensions (mm)



### Tolerances unless otherwise specified (mm)

X	X.X	X.XX	X.XXX	Angle
±0,5	±0,3	±0,2	±	±5°

D-SUB / Machined Pin / Solder-Lug / Rear-Hex-Rivet / Female

Part No.: **T24D8027**

DRW:	Jason	CHKD	Wilson	MATL:	Wilson	TOLERANCE	Mason	DATE	29.01.2023
APPD:	Schumi	182AE15MGPFEA3		FINISH	Jamy		Sheet No.	2 from 5	

Customer:

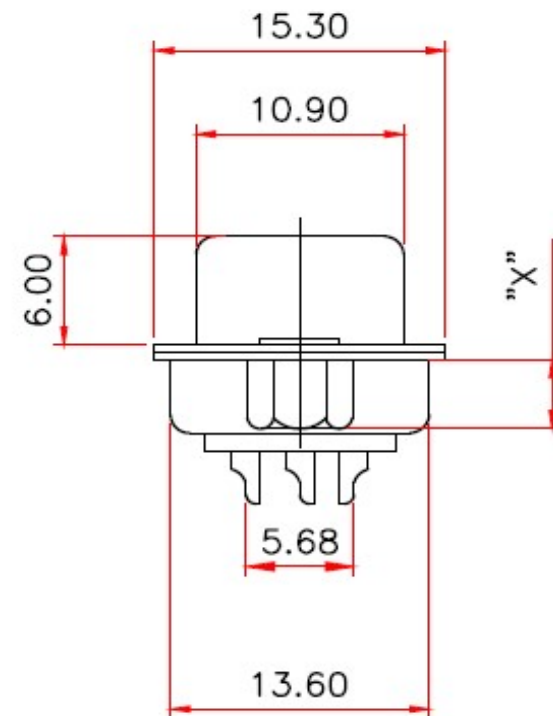
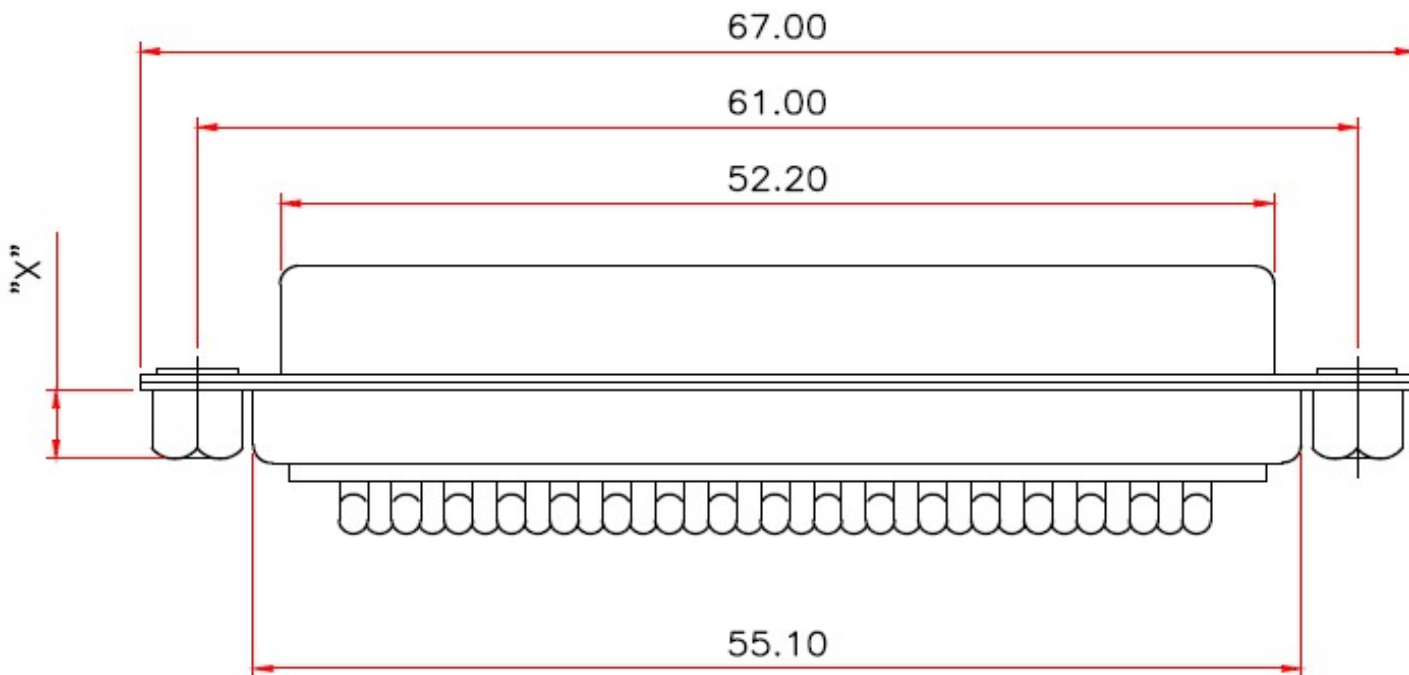
[www.edcon-components.com](http://www.edcon-components.com)

email: [info@edcon-components.com](mailto:info@edcon-components.com)

# EDCON-COMPONENTS



## Technical Dimension (mm)



D-SUB / Machined Pin / Solder-Lug / Rear-Hex-Rivet / Female

Part No.: **T24D8027**

DRW:	Jason	CHKD	Wilson	MATL:	Wilson	TOLERANCE	Mason	DATE	29.01.2023	Customer:
APPD:	Schumi			FINISH	Jamy		Sheet No.	3 from 5		

[www.edcon-components.com](http://www.edcon-components.com)

email: [info@edcon-components.com](mailto:info@edcon-components.com)

# EDCON-COMPONENTS

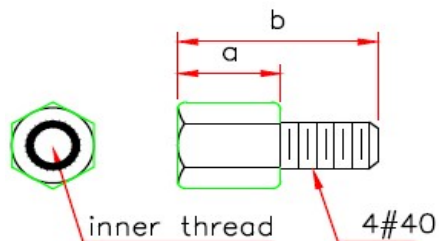


## Ordering Informations

Serie	No of Pin	Contact Type	Contact Plating	Shell Plating	Process Option(X)	Parts Option	Contact Inserting Optio	Insulator Colour	ROHS	Packing Code
<b>T24D8027</b>	<b>50</b>	<b>F</b>	<b>GF</b>	<b>T</b>	<b>X</b>	<b>E</b>	<b>A</b>	<b>WH</b>	<b>R</b>	<b>TY</b>

<b>50=</b> 50Pos.	<b>F=</b> Female	<b>GF=</b> Gold flash (Standard) <b>G1=</b> 3µ AU <b>G2=</b> 5µ AU <b>G3=</b> 15µ AU <b>G4=</b> 30µ AU	<b>T=</b> Tin + Dimple	<b>C=</b> Open-Hex-Rivet 3,8mm <b>D=</b> Open-Hex-Rivet 5,8mm <b>K=</b> Open-Hex-Rivet 2,5mm	<b>E=</b> Rear-Rivet <b>F=</b> Rear-Rivet loose Screw 5,0x10,0mm <b>H=</b> Rear-Rivet loose Screw 4,8x11,8mm <b>J=</b> Rear-Rivet loose Screw 5,8x12,0mm <b>G=</b> Rear-Rivet Fixed Screw 5,0x10,0mm <b>I=</b> Rear-Rivet Fixed Screw 4,8x11,8mm <b>K=</b> Rear-Rivet Fixed Screw 5,8x12,0mm	<b>A=</b> Fully loaded contact	<b>WH=</b> White Colour <b>BK=</b> Black Colour <b>BL=</b> Blue Colour	<b>R=</b> ROHS Conform <b>N=</b> NON ROHS Conform	<b>TY=</b> Tray Packing <b>BU=</b> Bulk-Ware <b>IV=</b> Individual Package
-------------------	------------------	--	------------------------	--	--	--------------------------------	--	--	--

Part-Option-Dimension Table



parts no.	DIM. a	DIM. b	inner thread
F,G	5.0	10.0	4#40
H,I	4.8	11.8	4#40
J,K	5.8	12.0	4#40

**D-SUB / Machined Pin / Solder-Lug / Rear-Hex-Rivet / Female**  
Part No.: **T24D8027**

DRW:	Jason	CHKD	Wilson	MATL:	Wilson	TOLERANCE	Mason	DATE	29.01.2023	Customer:
APPD:	Schumi			FINISH	Jamy		Sheet No.	4 from 5		



Soldering Profile Curve

Classification Reflow Profile (JEDEC J-STD-020C)



D-SUB / Machined Pin / Solder-Lug / Rear-Hex-Rivet / Female	
Part No.:	<b>T24D8027</b>
Customer:	

DRW:	Jason	CHKD	Wilson	MATL:	Wilson	TOLERANCE	Mason	DATE	29.01.2023
APPD:	Schumi			FINISH	Jamy		Sheet No.		5 from 5