



# DATA SHEET

D-SUB / Machined Pin / Solder-Lug / Throug-Hole / Female

## Serie: T24D8010

D-SUB / Machined Pin / Solder-Lug / Throug-Hole / Female	
Serie No.:	<b>T24D8010</b>
Customer:	

DRW:	Jason	CHKD	Wilson	MATL:	Wilson	TOLERANCE	Mason	DATE	29.01.2023
APPD:	Schumi			FINISH	Jamy		Sheet No.		1 from 15

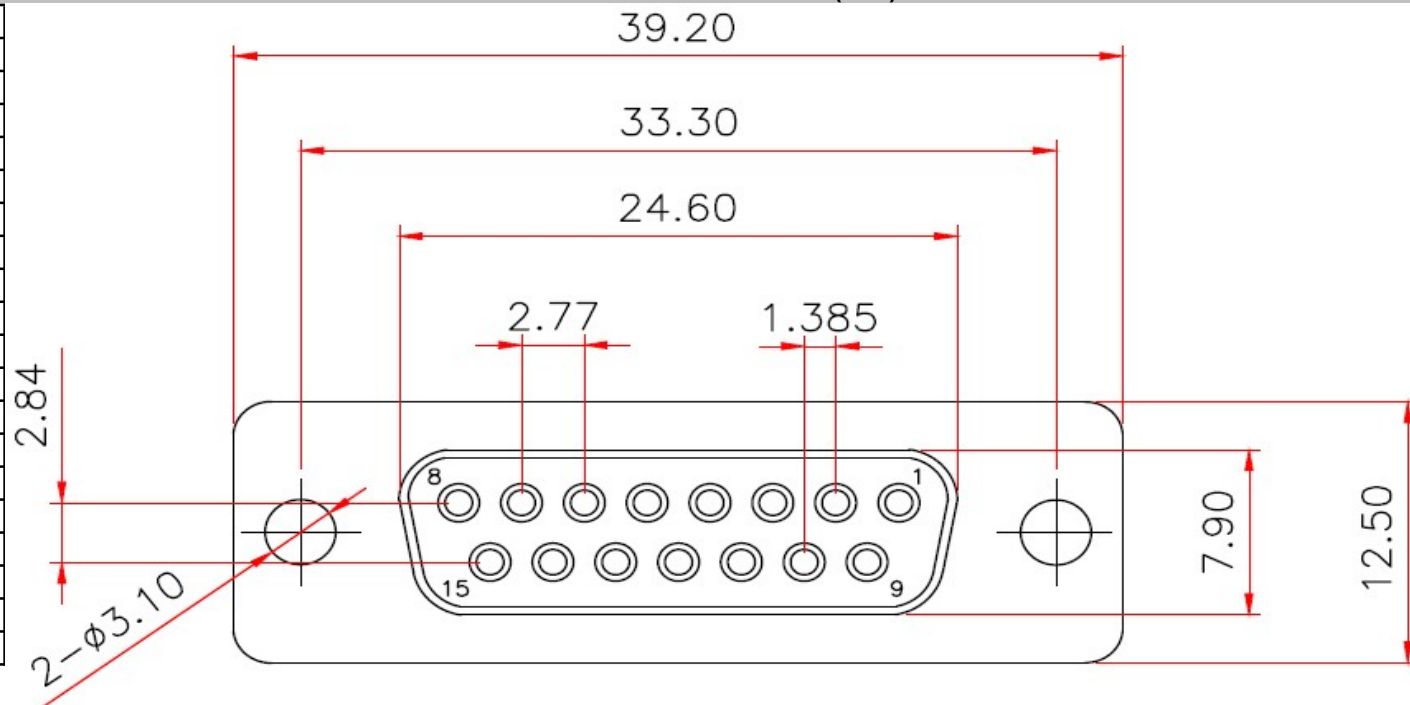
# EDCON-COMPONENTS



## Technical Informations

<b>Material</b>	
Insulator	PBT +30% GF rated UL-94-V0
Contact:	Brass C3602
Shell:	Steel
Rivet / Boardlock::	Copper Alloy
Contact Plating:	Gold Flash over 40µ Nickel on all area, Contact area see Ordering
<b>Electrical</b>	
Opening Voltage:	250VAC max.
Current Rating:	3,0A max.
Contact Resistance:	15m Ω max.
Insulation Resistance:	3000M Ω min. @ 500VDC
Dielectric withstanding Voltage:	1000VAC 1 Minute
<b>Mechanical:</b>	
Operating Temperature Range:	.-55°C to + 105°C

## Technical Dimensions (mm)



### Tolerances unless otherwise specified (mm)

X	X.X	X.XX	X.XXX	Angle
±0,5	±0,3	±0,2	±	±5°
DRW:	Jason	CHKD	Wilson	MATL:
APPD:	Schumi	182AE15MGPF EA3	FINISH	Jamy
				Sheet No.
				2 from 5

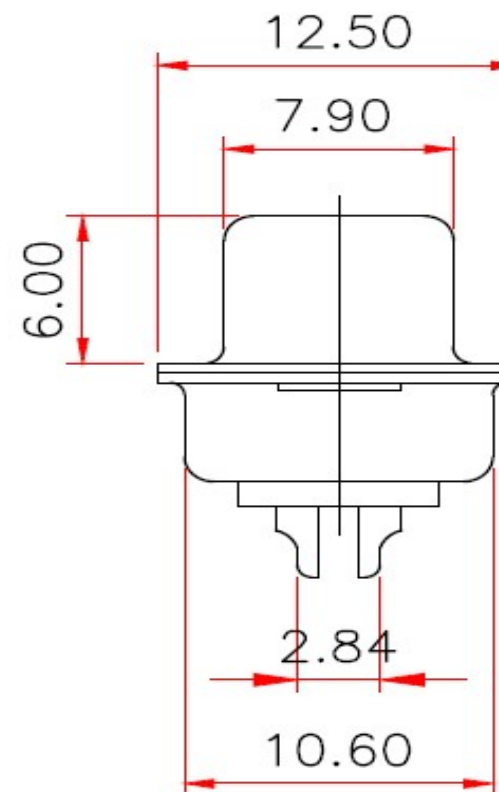
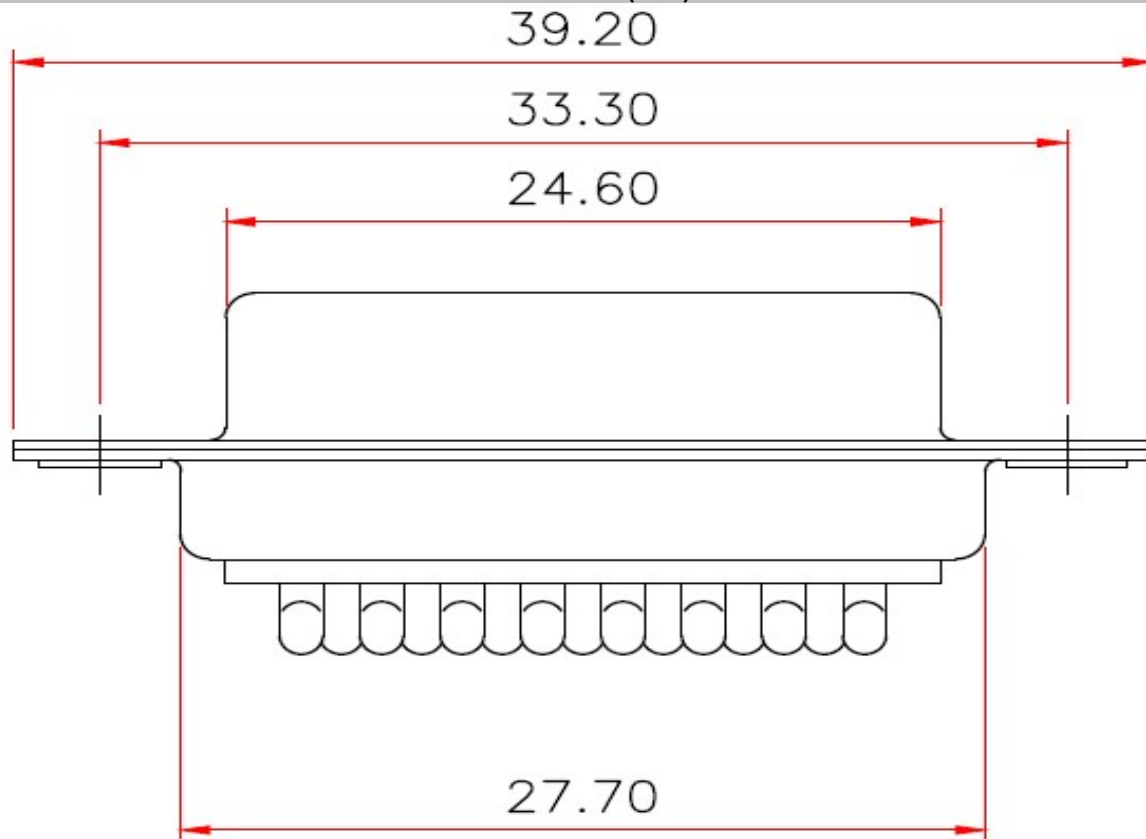
D-SUB / Machined Pin / Solder-Lug / Through-Hole / Female

Part No.: **T24D8010**

Customer:



**Technical Dimension (mm)**



**D-SUB / Machined Pin / Solder-Lug /  
Through-Hole / Female**

Part No.: **T24D8010**

DRW:	Jason	CHKD	Wilson	MATL:	Wilson	TOLERANCE	Mason	DATE	29.01.2023	Customer:
APPD:	Schumi			FINISH	Jamy		Sheet No.	3 from 5		

# EDCON-COMPONENTS



## Ordering Informations

Serie	No of Pin	Contact Type	Contact Plating	Shell Plating	Process Option	Parts Option	Contact Inserting Optio	Insulator Colour	ROHS	Packing Code
-------	-----------	--------------	-----------------	---------------	----------------	--------------	-------------------------	------------------	------	--------------

<b>T24D8010</b>	<b>15</b>	<b>F</b>	<b>GF</b>	<b>T</b>	<b>A</b>	<b>A</b>	<b>A</b>	<b>WH</b>	<b>R</b>	<b>TY</b>
-----------------	-----------	----------	-----------	----------	----------	----------	----------	-----------	----------	-----------

<b>15=</b> 15Pos.	<b>F=</b> Female	<b>GF=</b> Gold flash (Standard) <b>G1=</b> 3µ AU <b>G2=</b> 5µ AU <b>G3=</b> 15µ AU <b>G4=</b> 30µ AU	<b>T=</b> Tin + Dimple	<b>A=</b> Through Hole	<b>A=</b> No accessories	<b>A=</b> Fully loaded contact	<b>WH=</b> White Colour <b>BK=</b> Black Colour <b>BL=</b> Blue Colour	<b>R=</b> ROHS Conform <b>N=</b> NON ROHS Conform	<b>TY=</b> Tray Packing <b>BU=</b> Bulk-Ware <b>IV=</b> Individual Package
-------------------	------------------	--	------------------------	------------------------	--------------------------	--------------------------------	--	--	--

**D-SUB / Machined Pin / Solder-Lug / Throug-Hole / Female**

Part No.: **T24D8010**

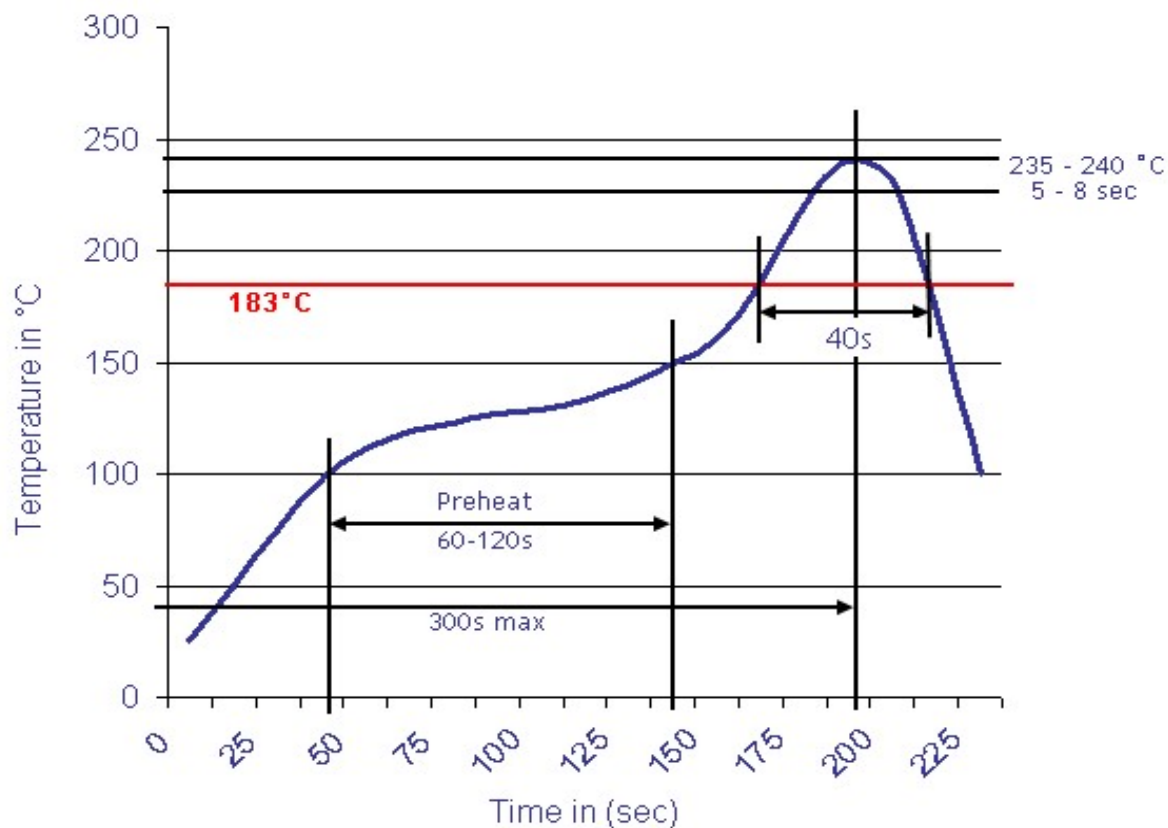
DRW:	Jason	CHKD	Wilson	MATL:	Wilson	TOLERANCE	Mason	DATE	29.01.2023
APPD:	Schumi			FINISH	Jamy		Sheet No.		4 from 5

Customer:



## Soldering Profile Curve

### Classification Reflow Profile (JEDEC J-STD-020C)



D-SUB / Machined Pin / Solder-Lug /  
Through-Hole / Female

Part No.: **T24D8010**

DRW:	Jason	CHKD	Wilson	MATL:	Wilson	TOLERANCE	Mason	DATE	29.01.2023
APPD:	Schumi			FINISH	Jamy		Sheet No.		5 from 5

Customer: