



DATA SHEET

D-SUB / Machined Pin / Solder-Lug / Rear-Hex-Rivet / Male

Serie: T24D8006

D-SUB / Machined Pin / Solder-Lug / Rear-Hex-Rivet / Male	
Serie No.:	T24D8006
Customer:	

DRW:	Jason	CHKD	Wilson	MATL:	Wilson	TOLERANCE	Mason	DATE	29.01.2023
APPD:	Schumi			FINISH	Jamy		Sheet No.		1 from 15

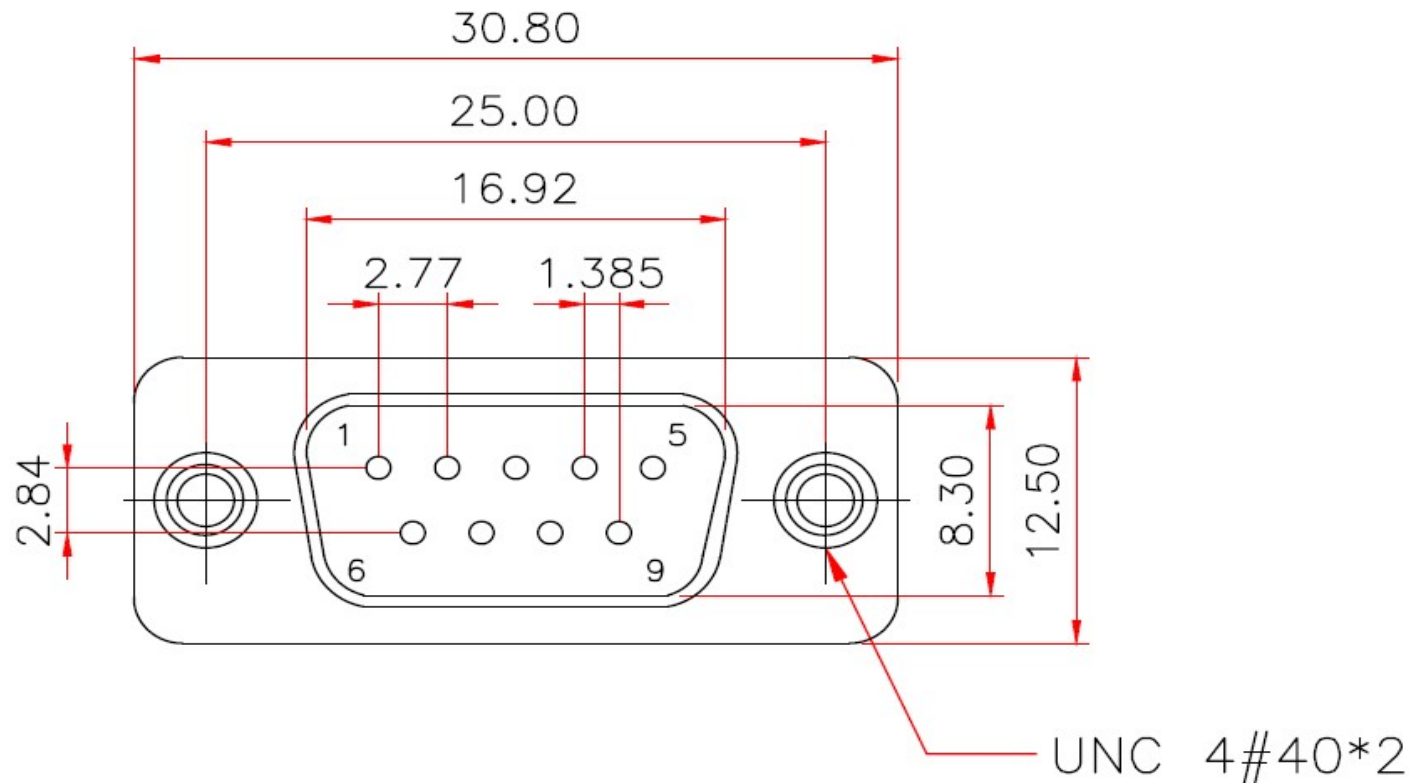
EDCON-COMPONENTS



Technical Informations

Material	
Insulator	PBT +30% GF rated UL-94-V0
Contact:	Brass C3602
Shell:	Steel
Rivet / Boardlock::	Copper Alloy
Contact Plating:	Gold Flash over 40µ Nickel on all area, Contact area see Ordering
Electrical	
Opening Voltage:	250VAC max.
Current Rating:	3,0A max.
Contact Resistance:	15m Ω max.
Insulation Resistance:	3000M Ω min. @ 500VDC
Dielectric withstanding Voltage:	1000VAC 1 Minute
Mechanical:	
Operating Temperature Range:	.-55°C to + 105°C

Technical Dimensions (mm)



UNC 4#40*2

Tolerances unless otherwise specified (mm)

X	X.X	X.XX	X.XXX	Angle
±0,5	±0,3	±0,2	±	±5°

D-SUB / Machined Pin / Solder-Lug / Rear-Hex-Rivet / Male

Part No.: **T24D8006**

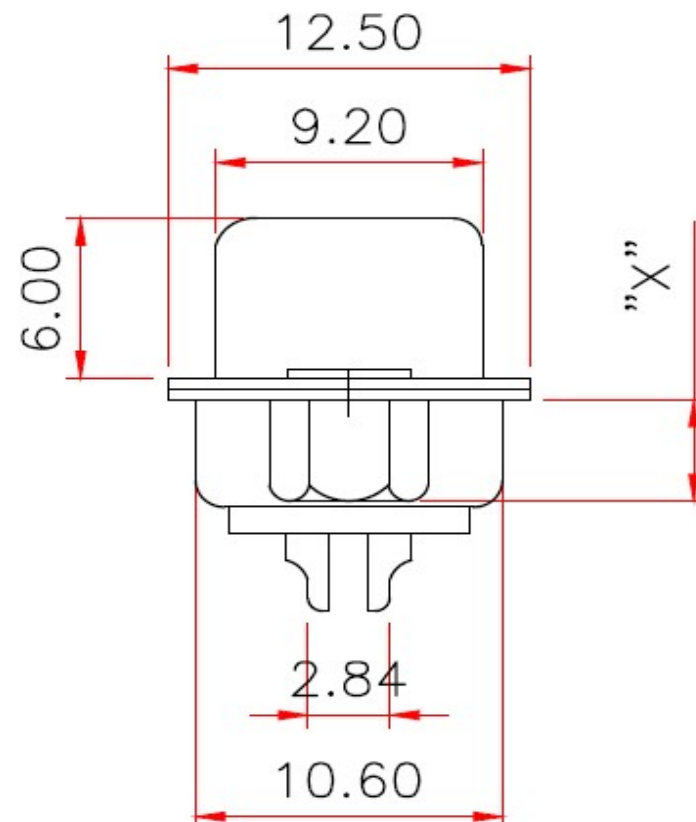
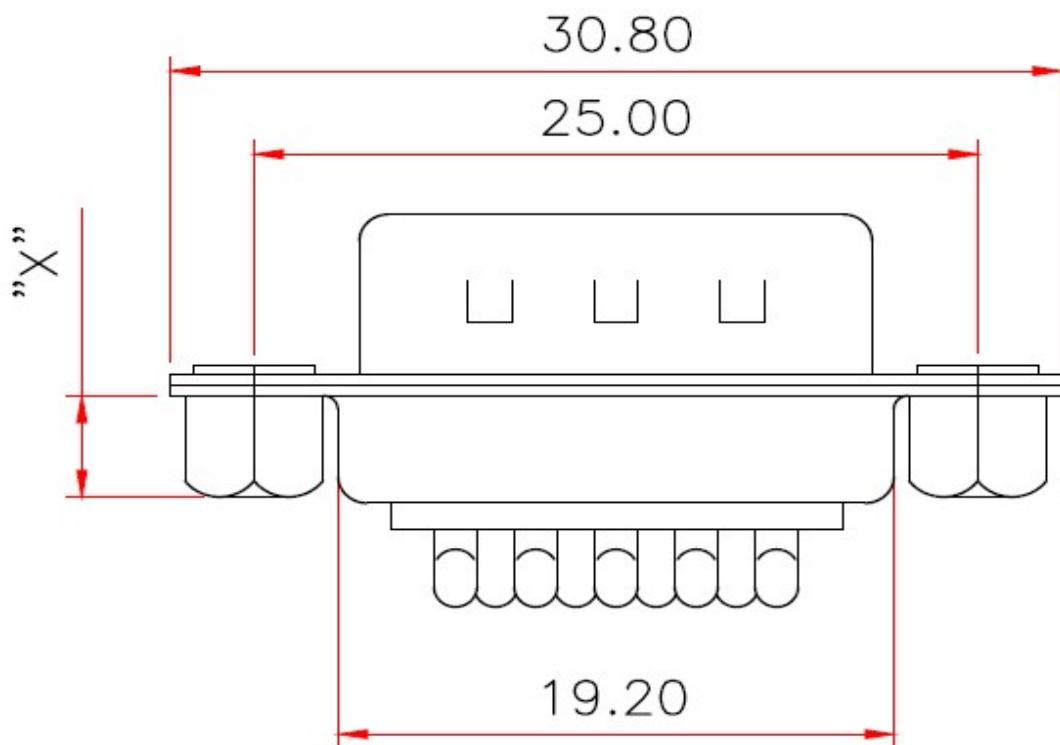
DRW:	Jason	CHKD	Wilson	MATL:	Wilson	TOLERANCE	Mason	DATE	29.01.2023
APPD:	Schumi	182AE15MGPFEA3		FINISH	Jamy		Sheet No.	2 from 5	

Customer:

EDCON-COMPONENTS



Technical Dimension (mm)



D-SUB / Machined Pin / Solder-Lug /
Rear-Hex-Rivet / Male

Part No.: **T24D8006**

DRW:	Jason	CHKD	Wilson	MATL:	Wilson	TOLERANCE	Mason	DATE	29.01.2023	Customer:
APPD:	Schumi			FINISH	Jamy		Sheet No.	3 from 5		

www.edcon-components.com

email: info@edcon-components.com

EDCON-COMPONENTS

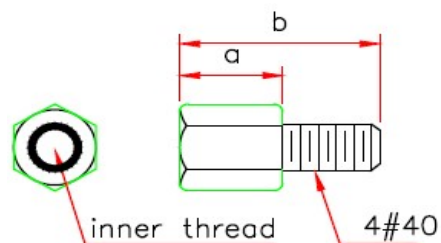


Ordering Informations

Serie	No of Pin	Contact Type	Contact Plating	Shell Plating	Process Option(X)	Parts Option	Contact Inserting Optio	Insulator Colour	ROHS	Packing Code
T24D8006	09	M	GF	T	X	E	A	WH	R	TY

09= 9Pos.	M= Male	GF= Gold flash (Standard)	T= Tin + Dimple	C= Open-Hex-Rivet 3,8mm	E= Rear-Rivet	A= Fully loaded contact	WH= White Colour	R= ROHS Conform	TY= Tray Packing
		G1= 3µ AU					BK= Black Colour	N= NON ROHS Conform	
		G2= 5µ AU		D= Open-Hex-Rivet 5,8mm	F= Rear-Rivet loose Screw 5,0x10,0mm		BL= Blue Colour		BU= Bulk-Ware
		G3= 15µ AU							IV= Individual Package
		G4= 30µ AU		K= Open-Hex-Rivet 2,5mm	H= Rear-Rivet loose Screw 4,8x11,8mm				
					J= Rear-Rivet loose Screw 5,8x12,0mm				
					G= Rear-Rivet Fixed Screw 5,0x10,0mm				
					I= Rear-Rivet Fixed Screw 4,8x11,8mm				
					K= Rear-Rivet Fixed Screw 5,8x12,0mm				

Part-Option-Dimension Table



parts no.	DIM. a	DIM. b	inner thread
F,G	5.0	10.0	4#40
H,I	4.8	11.8	4#40
J,K	5.8	12.0	4#40

D-SUB / Machined Pin / Solder-Lug / Rear-Hex-Rivet / Male

Part No.: **T24D8006**

DRW:	Jason	CHKD	Wilson	MATL:	Wilson	TOLERANCE	Mason	DATE	29.01.2023	Customer:
APPD:	Schumi			FINISH	Jamy		Sheet No.		4 from 5	

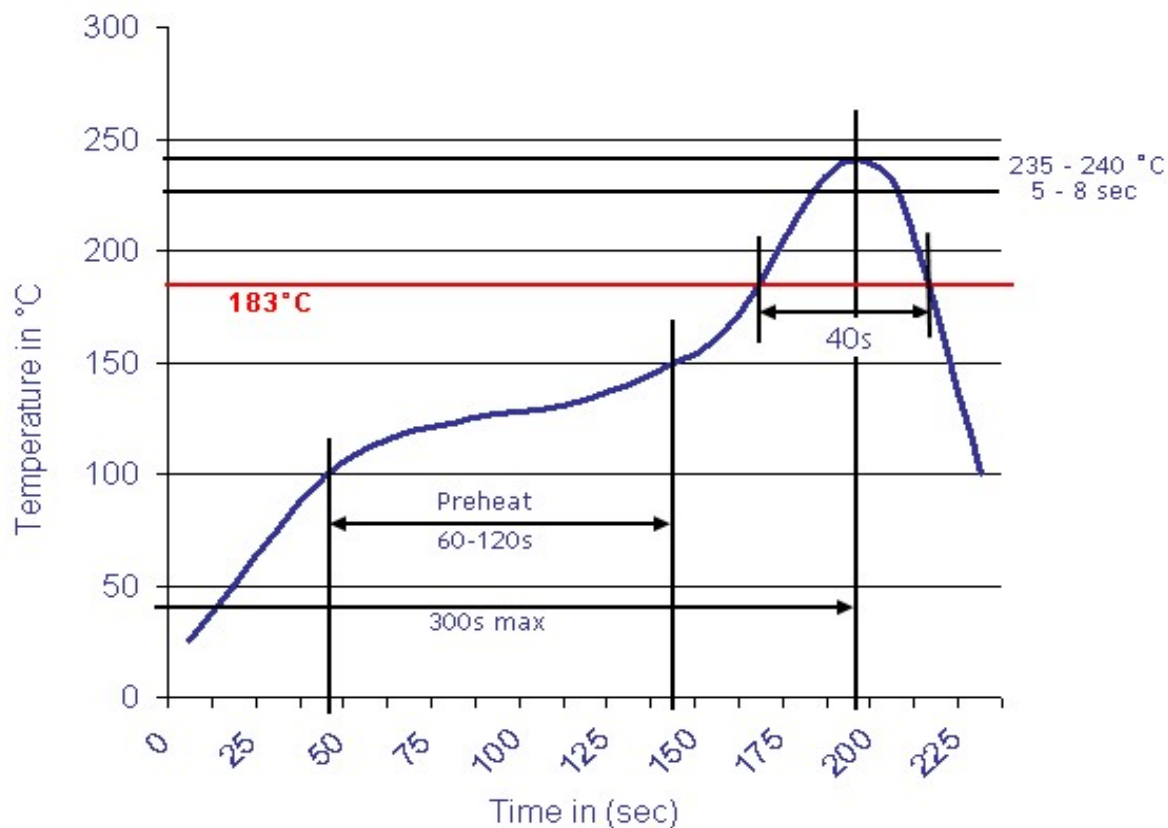
www.edcon-components.com

email: info@edcon-components.com



Soldering Profile Curve

Classification Reflow Profile (JEDEC J-STD-020C)



D-SUB / Machined Pin / Solder-Lug / Rear-Hex-Rivet / Male	
Part No.:	T24D8006
Customer:	

DRW:	Jason	CHKD:	Wilson	MATL:	Wilson	TOLERANCE:	Mason	DATE:	29.01.2023
APPD:	Schumi			FINISH:	Jamy		Sheet No.		5 from 5