



DATA SHEET

D-SUB / Machined Pin / Solder-Lug / Throug-Hole / Male

Serie: T24D8004

| | |
|---|-----------------|
| D-SUB / Machined Pin / Solder-Lug / Throug-Hole / Male | |
| Serie No.: | T24D8004 |
| Customer: | |

| | | | | | | | | | |
|-------|--------|------|--------|--------|--------|-----------|-----------|------|------------|
| DRW: | Jason | CHKD | Wilson | MATL: | Wilson | TOLERANCE | Mason | DATE | 29.01.2023 |
| APPD: | Schumi | | | FINISH | Jamy | | Sheet No. | | 1 from 15 |

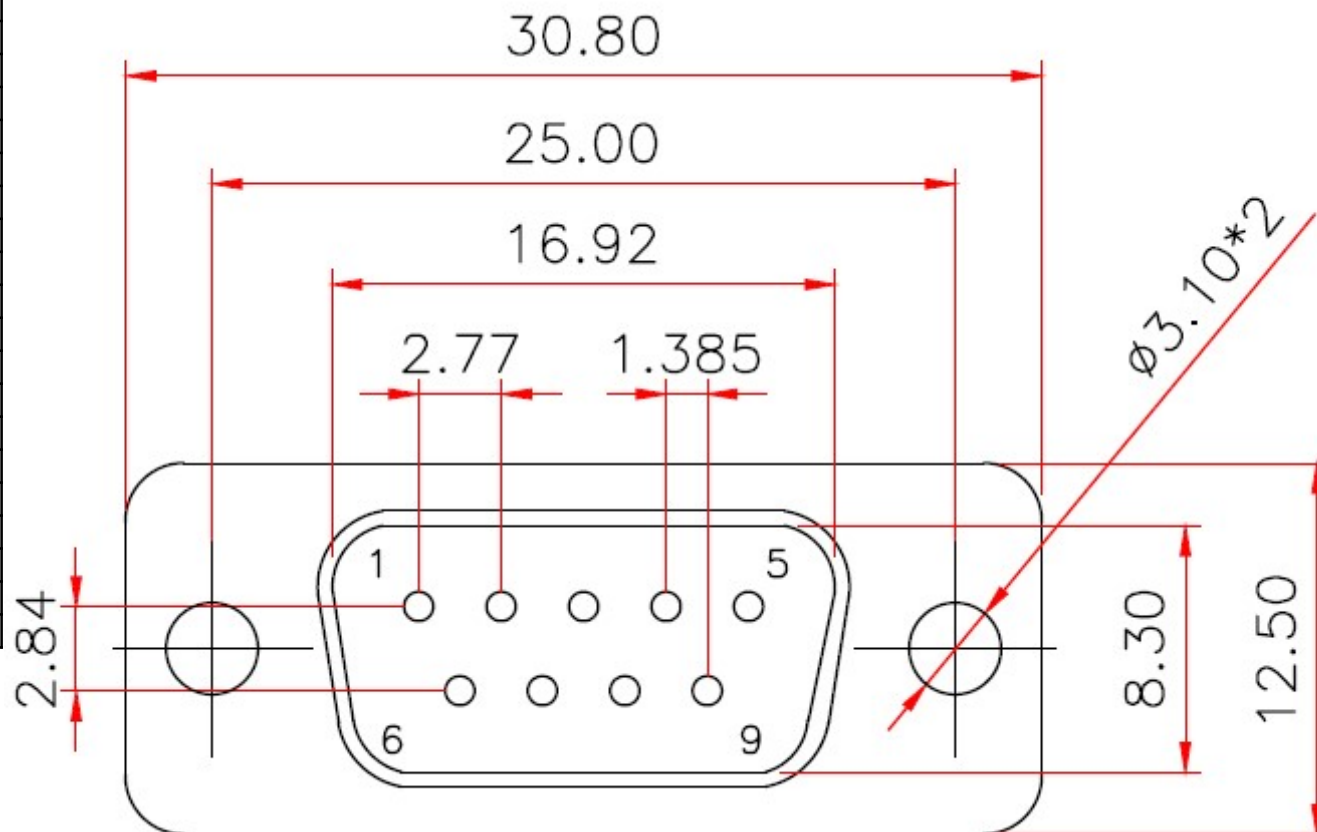
EDCON-COMPONENTS



Technical Informations

| | |
|----------------------------------|---|
| Material | |
| Insulator | PBT +30% GF rated UL-94-V0 |
| Contact: | Brass C3602 |
| Shell: | Steel |
| Rivet / Boardlock:: | Copper Alloy |
| | |
| Contact Plating: | Gold Flash over 40µ Nickel on all area, Contact area see Ordering |
| | |
| Electrical | |
| Opening Voltage: | 250VAC max. |
| Current Rating: | 3,0A max. |
| Contact Resistance: | 15m Ω max. |
| Insulation Resistance: | 3000M Ω min. @ 500VDC |
| Dielectric withstanding Voltage: | 1000VAC 1 Minute |
| | |
| Mechanical: | |
| Operating Temperature Range: | .-55°C to + 105°C |
| | |

Technical Dimensions (mm)



Tolerances unless otherwise specified (mm)

| X | X.X | X.XX | X.XXX | Angle |
|------|------|------|-------|-------|
| ±0,5 | ±0,3 | ±0,2 | ± | ±5° |

D-SUB / Machined Pin / Solder-Lug / Through-Hole / Male

Part No.: **T24D8004**

| | | | | | | | | | |
|-------|--------|----------------|--------|--------|--------|-----------|-----------|----------|------------|
| DRW: | Jason | CHKD | Wilson | MATL: | Wilson | TOLERANCE | Mason | DATE | 29.01.2023 |
| APPD: | Schumi | 182AE15MGPFEA3 | | FINISH | Jamy | | Sheet No. | 2 from 5 | |

Customer:

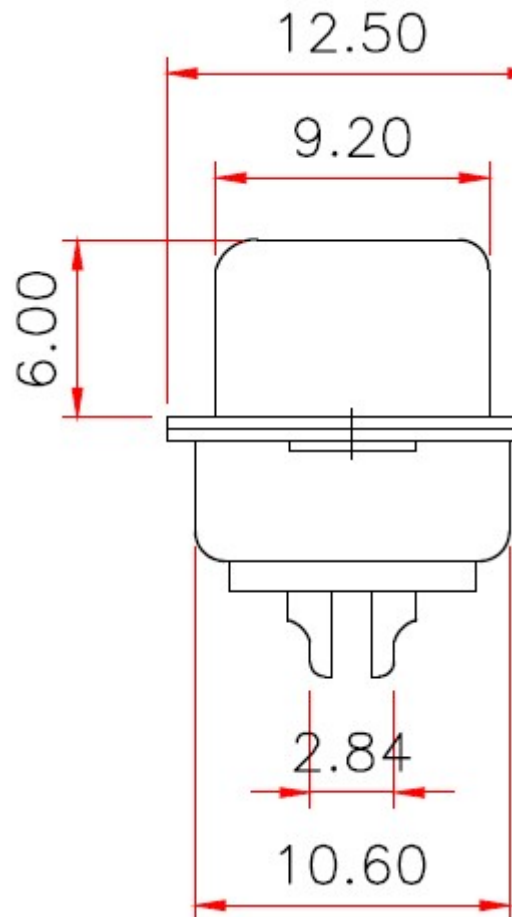
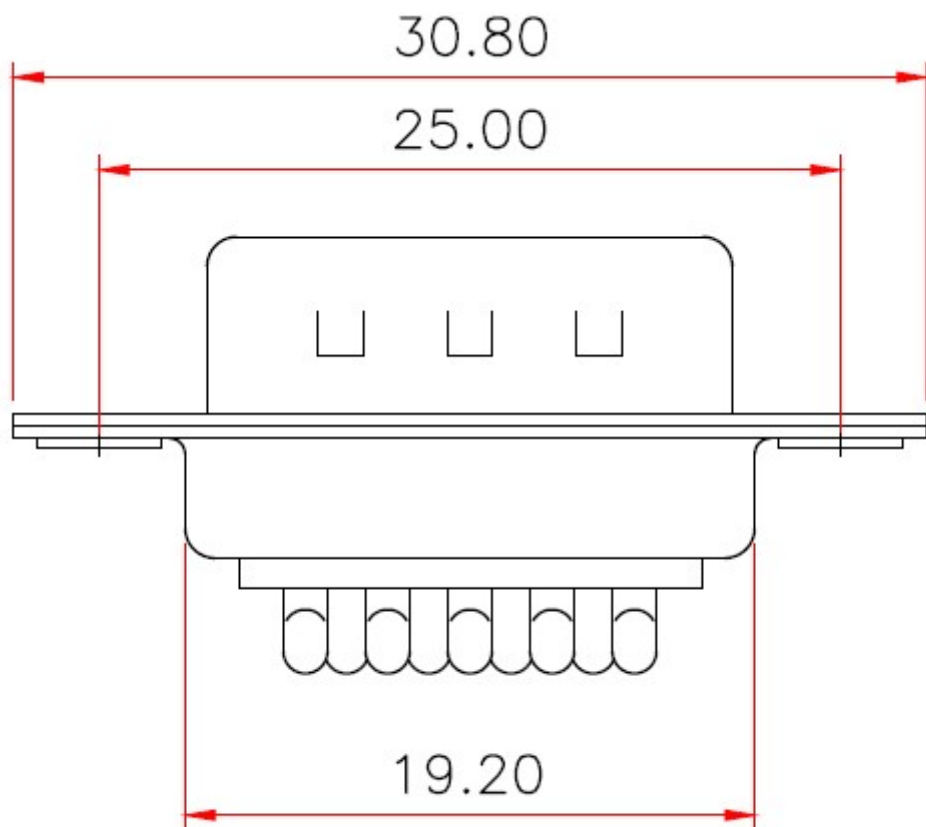
www.edcon-components.com

email: info@edcon-components.com

EDCON-COMPONENTS



Technical Dimension (mm)



D-SUB / Machined Pin / Solder-Lug /
Through-Hole / Male

Part No.: **T24D8004**

| | | | | | | | | | |
|-------|--------|------|--------|--------|--------|-----------|-----------|------|------------|
| DRW: | Jason | CHKD | Wilson | MATL: | Wilson | TOLERANCE | Mason | DATE | 29.01.2023 |
| APPD: | Schumi | | | FINISH | Jamy | | Sheet No. | | 3 from 5 |

www.edcon-components.com

email: info@edcon-components.com

EDCON-COMPONENTS



Ordering Informations

| Serie | No of Pin | Contact Type | Contact Plating | Shell Plating | Process Option | Parts Option | Contact Inserting Optio | Insulator Colour | ROHS | Packing Code |
|-------|-----------|--------------|-----------------|---------------|----------------|--------------|-------------------------|------------------|------|--------------|
|-------|-----------|--------------|-----------------|---------------|----------------|--------------|-------------------------|------------------|------|--------------|

| | | | | | | | | | | |
|-----------------|-----------|----------|-----------|----------|----------|----------|----------|-----------|----------|-----------|
| T24D8004 | 09 | M | GF | T | A | A | A | WH | R | TY |
|-----------------|-----------|----------|-----------|----------|----------|----------|----------|-----------|----------|-----------|

| | | | | | | | | | |
|------------------|----------------|----------------------------------|------------------------|------------------------|--------------------------|--------------------------------|-------------------------|----------------------------|-------------------------------|
| 09= 9Pos. | M= Male | GF= Gold flash (Standard) | T= Tin + Dimple | A= Through Hole | A= No accessories | A= Fully loaded contact | WH= White Colour | R= ROHS Conform | TY= Tray Packing |
| | | G1= 3µ AU | | | | | BK= Black Colour | N= NON ROHS Conform | |
| | | G2= 5µ AU | | | | | BL= Blue Colour | | BU= Bulk-Ware |
| | | G3= 15µ AU | | | | | | | IV= Individual Package |
| | | G4= 30µ AU | | | | | | | |

D-SUB / Machined Pin / Solder-Lug / Through-Hole / Male

Part No.: **T24D8004**

| | | | | | | | | | | |
|-------|--------|------|--------|--------|--------|-----------|-----------|----------|------------|-----------|
| DRW: | Jason | CHKD | Wilson | MATL: | Wilson | TOLERANCE | Mason | DATE | 29.01.2023 | Customer: |
| APPD: | Schumi | | | FINISH | Jamy | | Sheet No. | 4 from 5 | | |



Soldering Profile Curve

Classification Reflow Profile (JEDEC J-STD-020C)



| |
|--|
| D-SUB / Machined Pin / Solder-Lug / Through-Hole / Male |
| Part No.: T24D8004 |
| Customer: |

| | | | | | | | | | |
|-------|--------|------|--------|--------|--------|-----------|-----------|------|------------|
| DRW: | Jason | CHKD | Wilson | MATL: | Wilson | TOLERANCE | Mason | DATE | 29.01.2023 |
| APPD: | Schumi | | | FINISH | Jamy | | Sheet No. | | 5 from 5 |