



DATA SHEET

D-SUB / Machined Pin / Solder-Lug / Rear-Hex-Rivet / Male

Serie: T24D8003

| | |
|--|-----------------|
| D-SUB / Machined Pin / Solder-Lug / Rear-Hex-Rivet / Male | |
| Serie No.: | T24D8003 |
| Customer: | |

| | | | | | | | | | |
|-------|--------|------|--------|--------|--------|-----------|-----------|------|------------|
| DRW: | Jason | CHKD | Wilson | MATL: | Wilson | TOLERANCE | Mason | DATE | 29.01.2023 |
| APPD: | Schumi | | | FINISH | Jamy | | Sheet No. | | 1 from 15 |

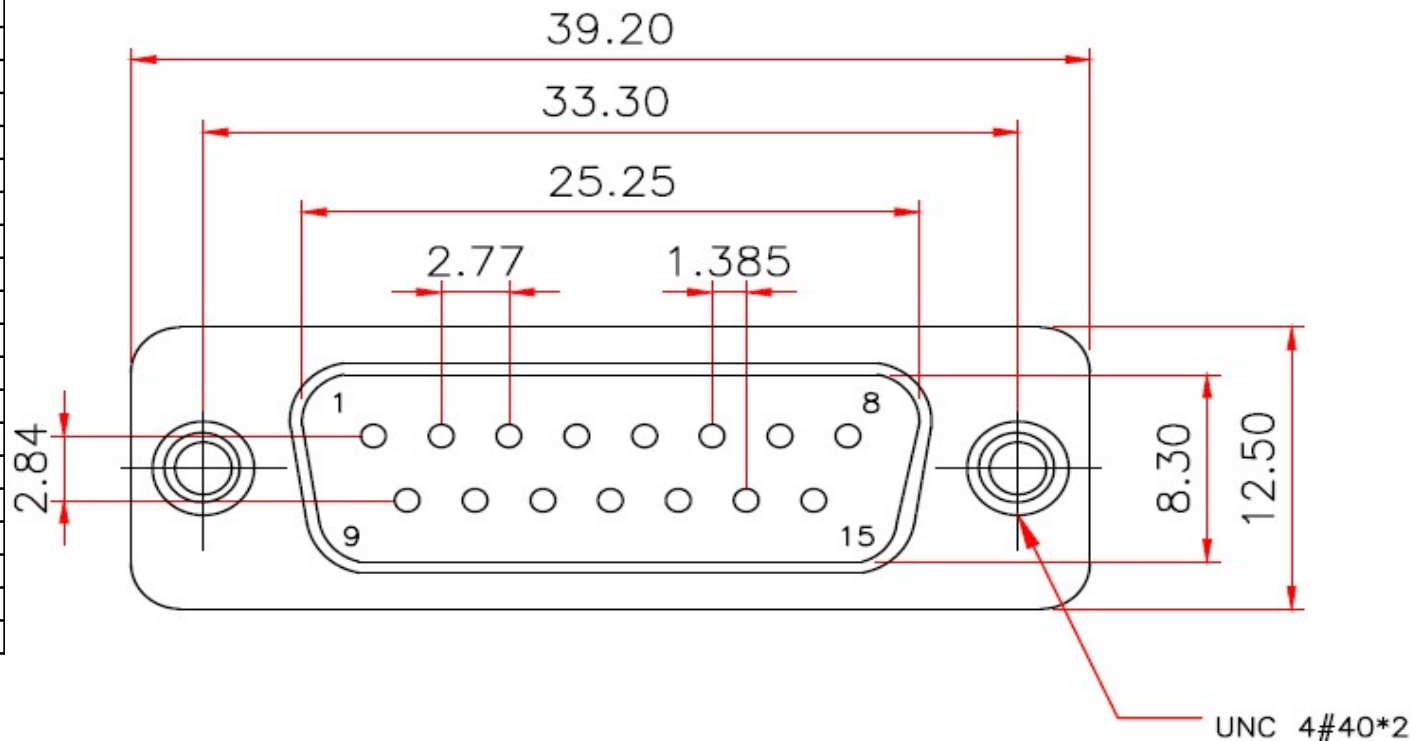
EDCON-COMPONENTS



Technical Informations

| | |
|----------------------------------|---|
| Material | |
| Insulator | PBT +30% GF rated UL-94-V0 |
| Contact: | Brass C3602 |
| Shell: | Steel |
| Rivet / Boardlock:: | Copper Alloy |
| | |
| Contact Plating: | Gold Flash over 40µ Nickel on all area, Contact area see Ordering |
| | |
| Electrical | |
| Opening Voltage: | 250VAC max. |
| Current Rating: | 3,0A max. |
| Contact Resistance: | 15m Ω max. |
| Insulation Resistance: | 3000M Ω min. @ 500VDC |
| Dielectric withstanding Voltage: | 1000VAC 1 Minute |
| | |
| Mechanical: | |
| Operating Temperature Range: | .-55°C to + 105°C |

Technical Dimensions (mm)



Tolerances unless otherwise specified (mm)

| | | | | |
|------|------|------|-------|-------|
| X | X.X | X.XX | X.XXX | Angle |
| ±0,5 | ±0,3 | ±0,2 | ± | ±5° |

D-SUB / Machined Pin / Solder-Lug / Rear-Hex-Rivet / Male

Part No.: **T24D8003**

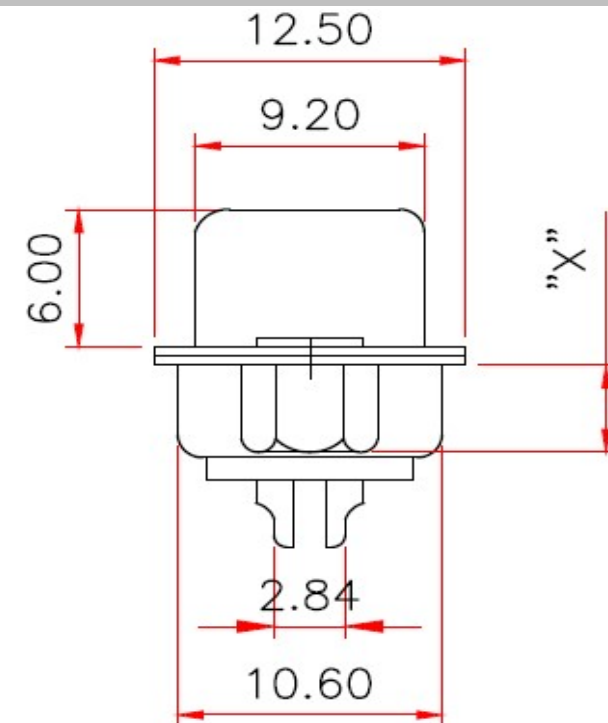
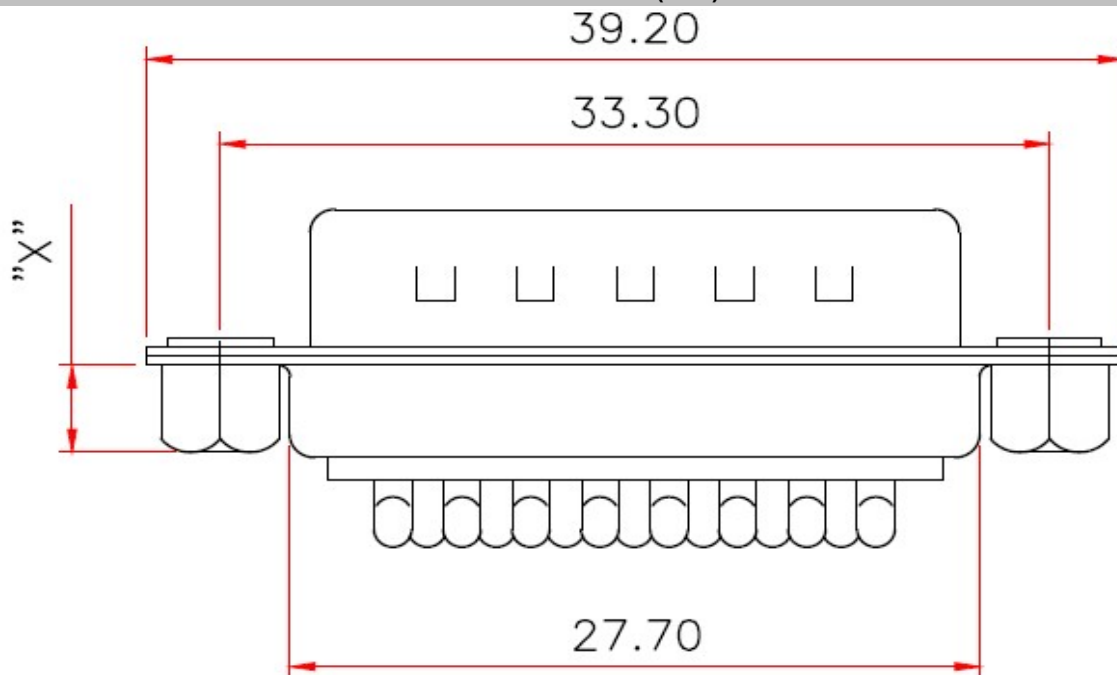
| | | | | | | | | | |
|-------|--------|----------------|--------|--------|--------|-----------|-------|----------|------------|
| DRW: | Jason | CHKD | Wilson | MATL: | Wilson | TOLERANCE | Mason | DATE | 29.01.2023 |
| APPD: | Schumi | 182AE15MGPFEA3 | | FINISH | Jamy | Sheet No. | | 2 from 5 | |

Customer:

EDCON-COMPONENTS



Technical Dimension (mm)



| | |
|---|-----------------|
| D-SUB / Machined Pin / Solder-Lug / Rear-Hex-Rivet / Male | |
| Part No.: | T24D8003 |
| Customer: | |

| | | | | | | | | | |
|-------|--------|------|--------|--------|--------|-----------|-----------|------|------------|
| DRW: | Jason | CHKD | Wilson | MATL: | Wilson | TOLERANCE | Mason | DATE | 29.01.2023 |
| APPD: | Schumi | | | FINISH | Jamy | | Sheet No. | | 3 from 5 |

www.edcon-components.com

email: info@edcon-components.com

EDCON-COMPONENTS

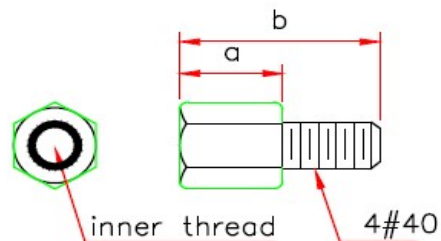


Ordering Informations

| Serie | No of Pin | Contact Type | Contact Plating | Shell Plating | Process Option(X) | Parts Option | Contact Inserting Optio | Insulator Colour | ROHS | Packing Code |
|-----------------|-----------|--------------|-----------------|---------------|-------------------|--------------|-------------------------|------------------|----------|--------------|
| T24D8003 | 15 | M | GF | T | X | E | A | WH | R | TY |

| | | | | | | | | | |
|-------------------|----------------|----------------------------------|------------------------|--------------------------------|---|--------------------------------|-------------------------|--|-------------------------|
| 15= 15Pos. | M= Male | GF= Gold flash (Standard) | T= Tin + Dimple | C= Open-Hex-Rivet 3,8mm | E= Rear-Rivet | A= Fully loaded contact | WH= White Colour | R= ROHS Conform N= NON ROHS Conform | TY= Tray Packing |
| | | G1= 3µ AU | | | | | BK= Black Colour | | |
| | | G2= 5µ AU | | D= Open-Hex-Rivet 5,8mm | F= Rear-Rivet loose Screw 5,0x10,0mm | BL= Blue Colour | BU= Bulk-Ware | | |
| | | G3= 15µ AU | | | | | | | |
| | | G4= 30µ AU | | K= Open-Hex-Rivet 2,5mm | H= Rear-Rivet loose Screw 4,8x11,8mm | IV= Individual Package | | | |
| | | | | | | | | | |

Part-Option-Dimension Table



| parts no. | DIM. a | DIM. b | inner thread |
|-----------|--------|--------|--------------|
| F,G | 5.0 | 10.0 | 4#40 |
| H,I | 4.8 | 11.8 | 4#40 |
| J,K | 5.8 | 12.0 | 4#40 |

J= Rear-Rivet loose Screw 5,8x12,0mm

G= Rear-Rivet Fixed Screw 5,0x10,0mm

I= Rear-Rivet Fixed Screw 4,8x11,8mm

K= Rear-Rivet Fixed Screw 5,8x12,0mm

D-SUB / Machined Pin / Solder-Lug / Rear-Hex-Rivet / Male

Part No.: **T24D8003**

| | | | | | | | | | | |
|-------|--------|------|--------|--------|--------|-----------|-----------|----------|------------|-----------|
| DRW: | Jason | CHKD | Wilson | MATL: | Wilson | TOLERANCE | Mason | DATE | 29.01.2023 | Customer: |
| APPD: | Schumi | | | FINISH | Jamy | | Sheet No. | 4 from 5 | | |

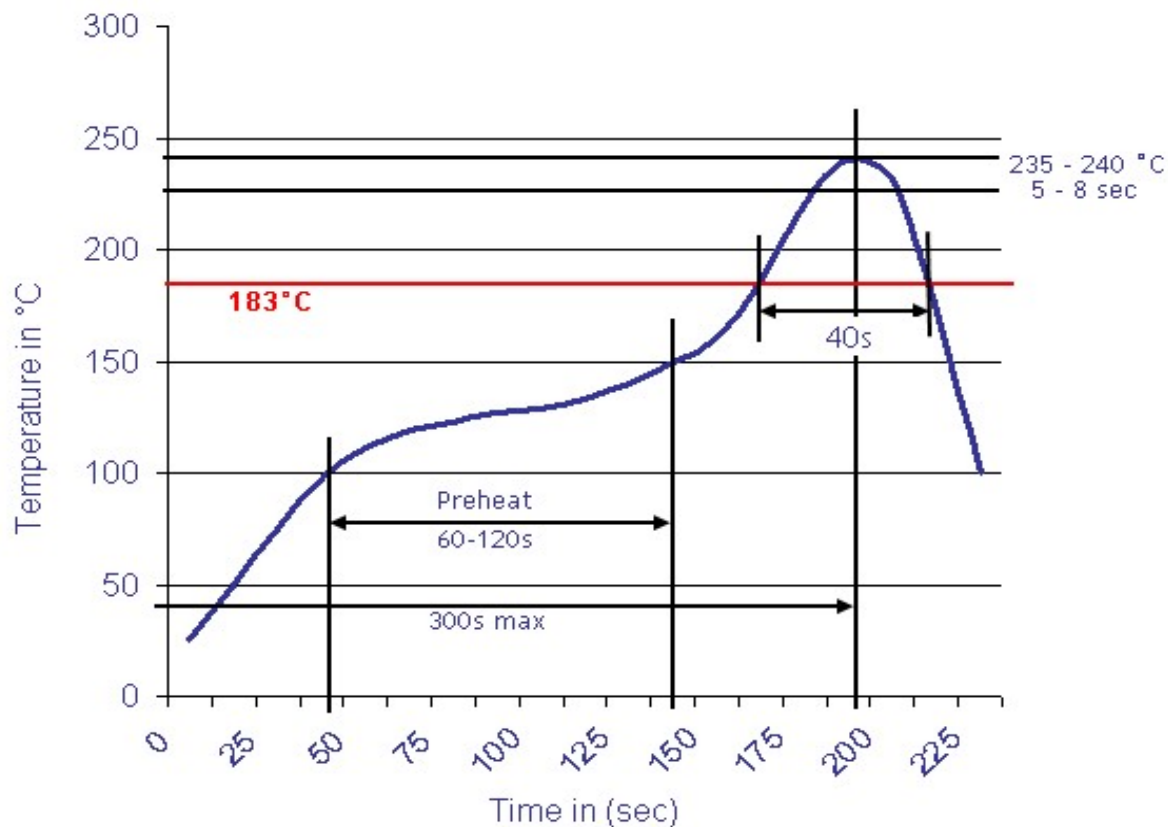
www.edcon-components.com

email: info@edcon-components.com



Soldering Profile Curve

Classification Reflow Profile (JEDEC J-STD-020C)



| | |
|---|-----------------|
| D-SUB / Machined Pin / Solder-Lug / Rear-Hex-Rivet / Male | |
| Part No.: | T24D8003 |
| Customer: | |

| | | | | | | | | | |
|-------|--------|-------|--------|---------|--------|------------|-----------|-------|------------|
| DRW: | Jason | CHKD: | Wilson | MATL: | Wilson | TOLERANCE: | Mason | DATE: | 29.01.2023 |
| APPD: | Schumi | | | FINISH: | Jamy | | Sheet No. | | 5 from 5 |