

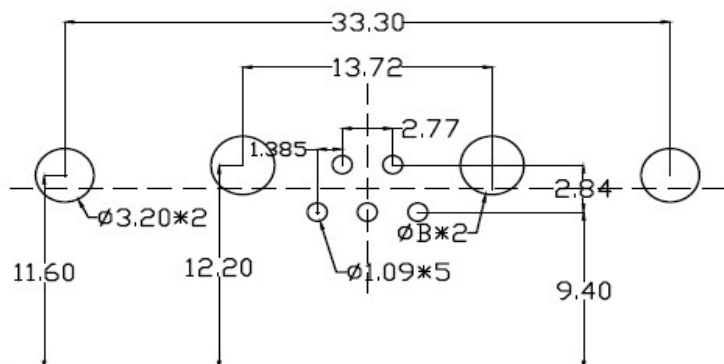
EDCON-COMPONENTS



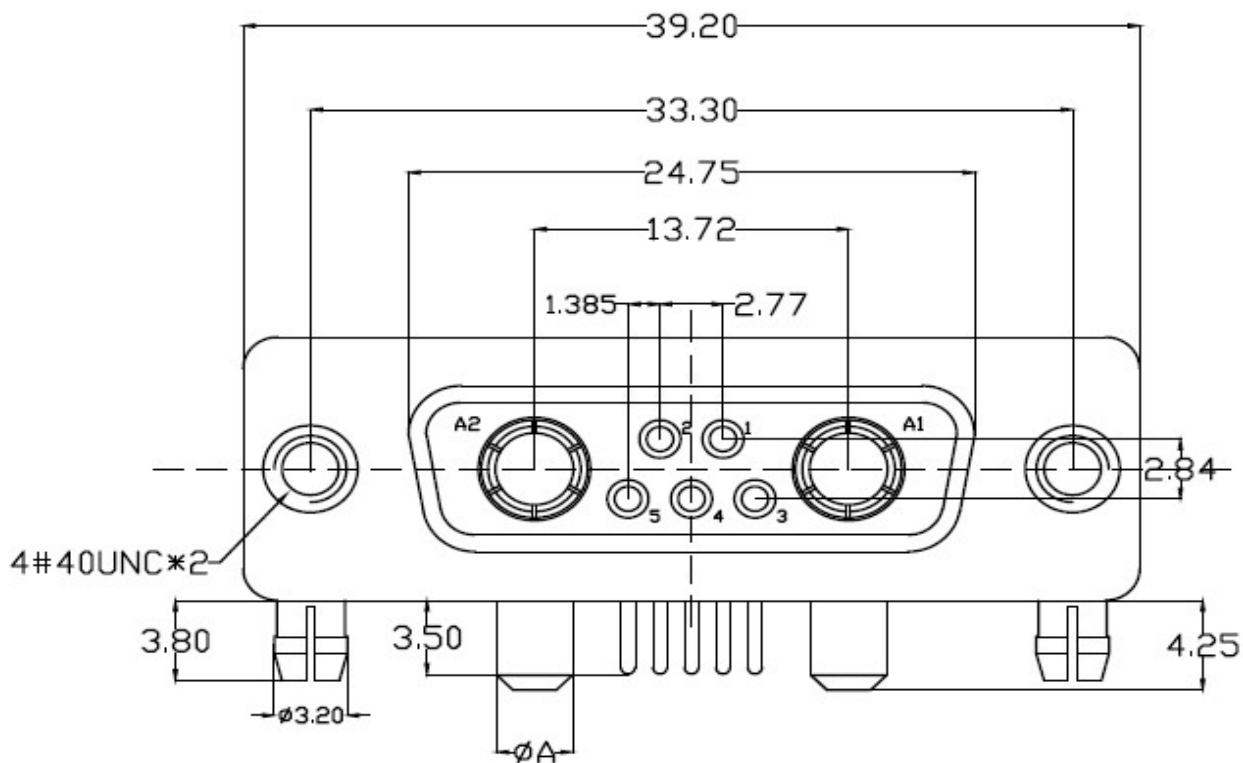
Specifications

Voltage Rating:	500VAC min
Current Rating: Signal	5A
Operating Temperature:	.-55°C to + 105°C
Contact Resistance:	30m Ω max.
Withstanding Voltage:	1000V AC RMS for 1Minute
Insulation Resistance:	3000M Ω min at 500V DC.
Material Housing:	PBT Rated UL94V-0
Power Contact Rating:	10A, 20A, 30A, 40A like Order Code

PCB Layout



Drawing (dimensions all into mm)



D-SUB-Combo Connector Machined Contact

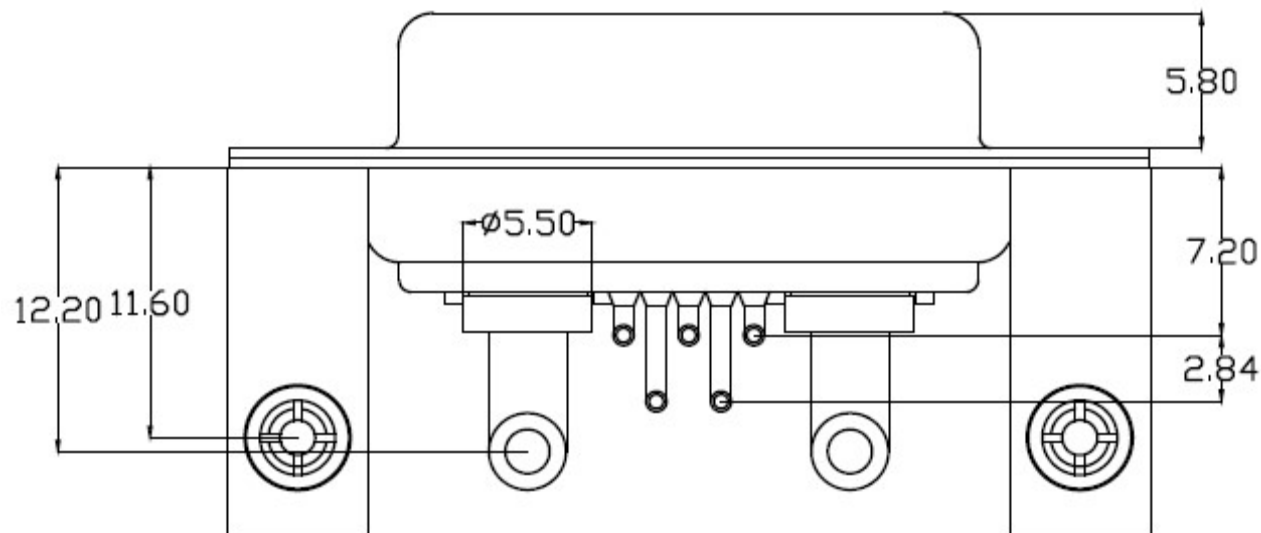
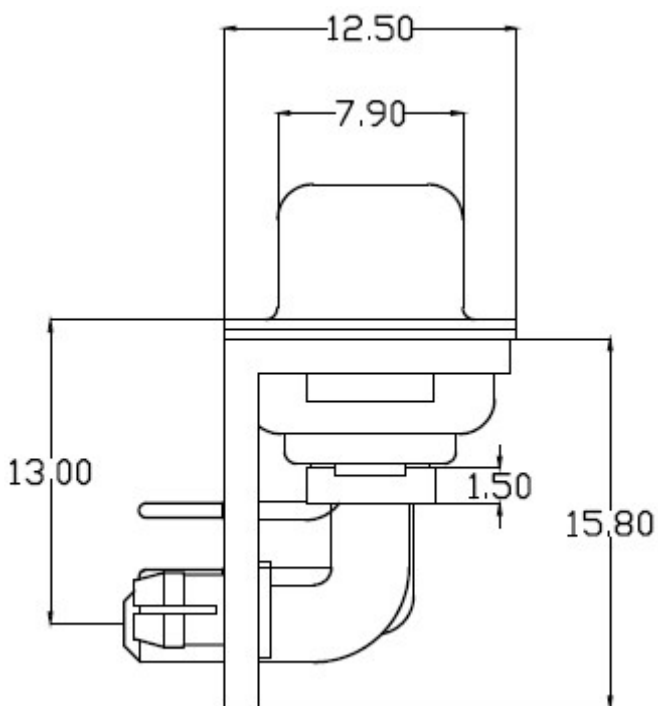
Part No.: **T24D3042-**

Customer:

Tolerance Table (mm)				
Angle	0.	.0	.00	
±5°	±0,5	±0,3	±0,2	
DRW:	Jason	CHKD	Wilson	MATL:
APPD:	Schumi			FINISH
				Jamy
				TOLERANCE
				Mason
				DATE
				14.02.2022
				Sheet No.
				1 from 4



Dimension Information about Housing

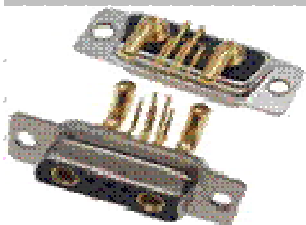


Current	Hole A (mm)	Hole B (mm)
10A	Ø 1,80	Ø 2,00
20A	Ø 2,80	Ø 3,00
30A	Ø 3,30	Ø 3,50
40A	Ø 3,80	Ø 4,00

D-SUB-Combo Connector Machined Contact	
Part No.:	T24D3042-
Customer:	

DRW:	Jason	CHKD	Wilson	MATL:	Wilson	TOLERANCE	Mason	DATE	14.02.2022
APPD:	Schumi			FINISH	Jamy		Sheet No.		2 from 4

EDCON-COMPONENTS



Ordering Informations

Serie	Type	Contact Form	Signal Contact Plating	Power Current Rating	Body Colour	Special function	ROHS	Packing	
-------	------	--------------	------------------------	----------------------	-------------	------------------	------	---------	--

T24D3042-	7W2	F	GF	10	BK	00	R	TY	
------------------	------------	----------	-----------	-----------	-----------	-----------	----------	-----------	--

7W2	F= Female	GF= 1µ AU	10= Ampere	BK= Black	00= No special function	R= ROHS Conform	TY= TRAY Packing	
7W2= 7 Contact total 2 Power 5 Signal		GA= 5µ AU	20= Ampere			N= Non ROHS Conform		
		GB= 10µ AU	30= Ampere					
		GC= 15µ AU	40= Ampere					
		GD= 20µ AU						
		GE= 30µ AU						

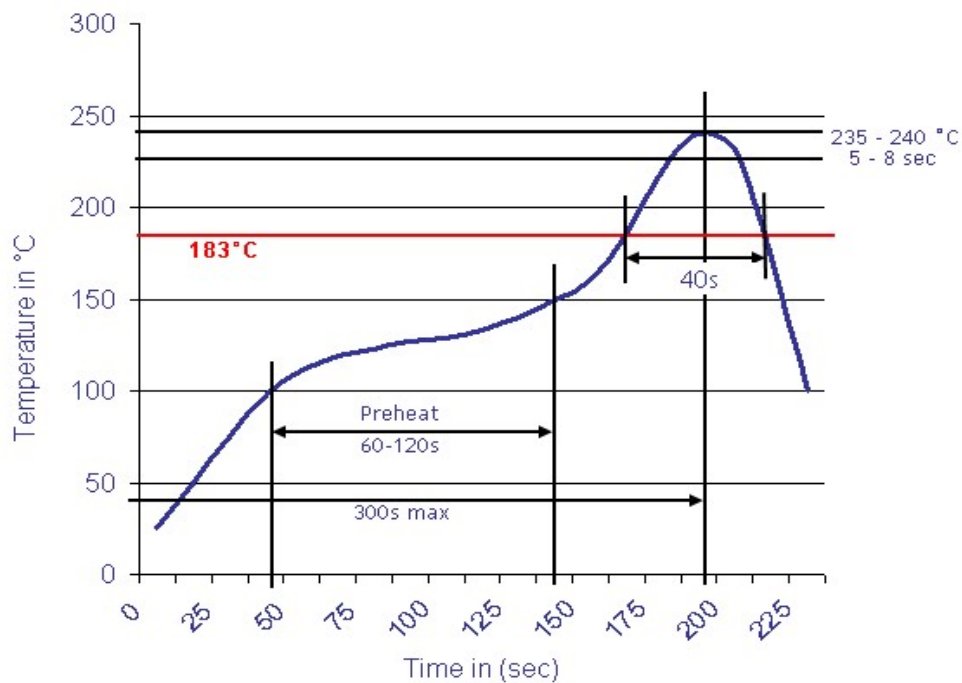
D-SUB-Combo Connector Machined Contact
Part No.: T24D3042-
Customer:

DRW:	Jason	CHKD	Wilson	MATL:	Wilson	TOLERANCE	Mason	DATE	14.02.2022
APPD:	Schumi			FINISH	Jamy		Sheet No.		3 from 4



Soldering Profile Curve

Classification Reflow Profile (JEDEC J-STD-020C)



**D-SUB-Combo Connector
Machined Contact**

Part No.: **T24D3042-**

DRW:	Jason	CHKD	Wilson	MATL:	Wilson	TOLERANCE	Mason	DATE	14.02.2022
APPD:	Schumi			FINISH	Jamy		Sheet No.		4 from 4

Customer: