



# DATA SHEET

**D-SUB / Stamped Pin / Solder-Lug / OPEN-HEX-REAR-RIVET / Female**

## Serie: T24A1034

|  |                 |
|--|-----------------|
| <b>D-SUB / Stamped Pin / Solder-Lug / OPEN-HEX-REAR-RIVET / Female</b> |                 |
| Serie No.:   | <b>T24A1034</b> |
| Customer:  |                 |

|       |        |      |        |        |        |           |           |      |            |
|-------|--------|------|--------|--------|--------|-----------|-----------|------|------------|
| DRW:  | Jason  | CHKD | Wilson | MATL:  | Wilson | TOLERANCE | Mason     | DATE | 05.02.2023 |
| APPD: | Schumi |      |        | FINISH | Jamy   |           | Sheet No. |      | 1 from 5   |

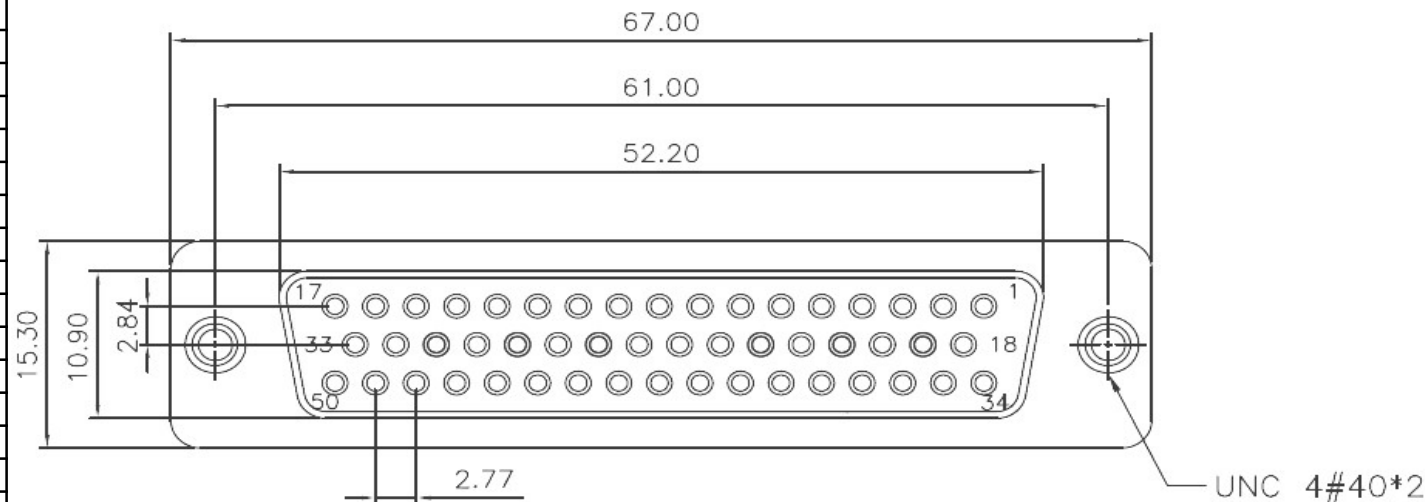
# EDCON-COMPONENTS



## Technical Informations

|                                  |   |
|----------------------------------|---|
| <b>Material</b>                  |   |
| Insulator                        | PBT +30% GF rated UL-94-V0  |
| Contact:                         | Brass C3602   |
| Shell:                           | Steel   |
| Rivet / Boardlock::              | Copper Alloy  |
|                                  |   |
| Contact Plating:                 | Gold Flash over 40µ Nickel on all area, Contact area see Ordering |
| Solder Tail Area:                | 80µ Tin/Lead  |
| <b>Electrical</b>                |   |
| Operating Voltage:               | 250VAC max.   |
| Current Rating:                  | 3,0A max.   |
| Contact Resistance:              | 15m Ω max.  |
| Insulation Resistance:           | 3000M Ω min. @ 500VDC   |
| Dielectric withstanding Voltage: | 1000VAC 1 Minute  |
|                                  |   |
| <b>Mechanical:</b>               |   |
| Operating Temperature Range:     | .-55°C to + 105°C   |

## Technical Dimensions (mm)



### Tolerances unless otherwise specified (mm)

| X    | X.X  | X.XX | X.XXX | Angle |
|------|------|------|-------|-------|
| ±0,5 | ±0,3 | ±0,2 | ±     | ±5°   |

**D-SUB / Stamped Pin / Solder-Lug / OPEN-HEX-REAR-RIVET / Female**

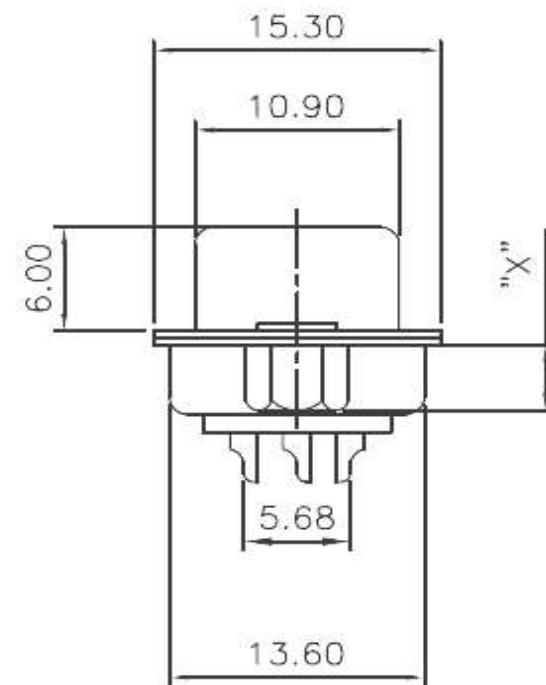
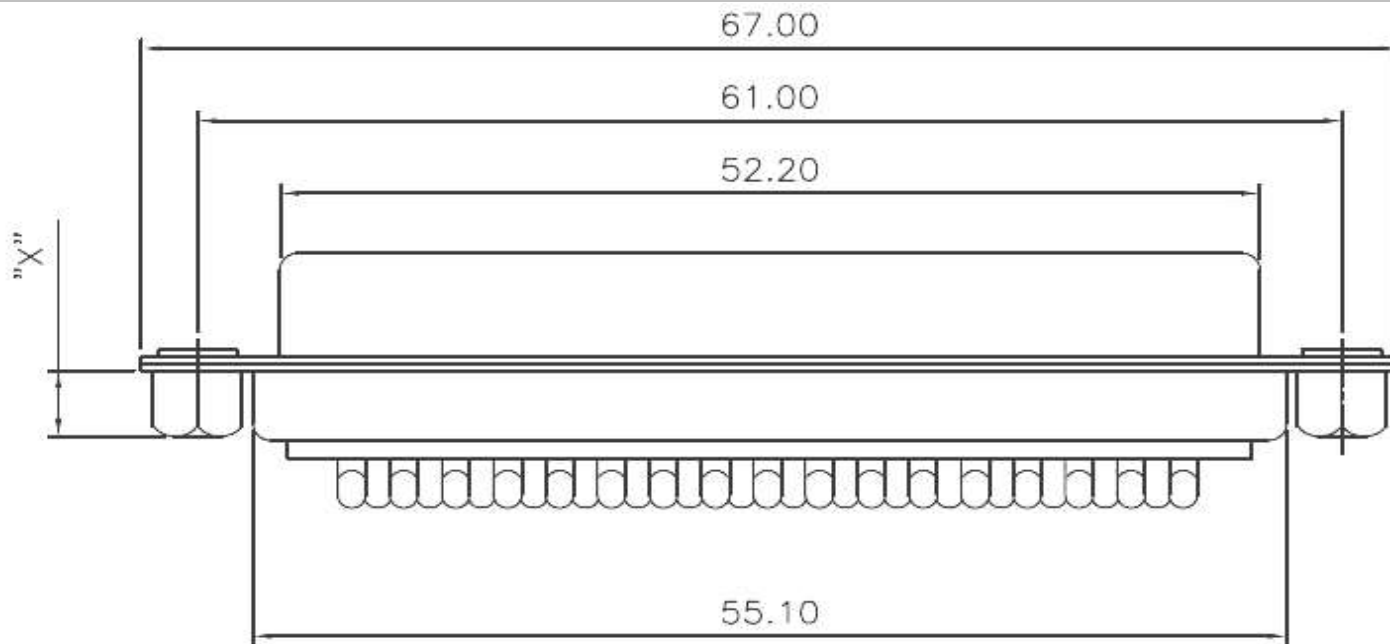
Part No.: **T24A1034**

|       |        |                |        |        |        |           |           |          |            |
|-------|--------|----------------|--------|--------|--------|-----------|-----------|----------|------------|
| DRW:  | Jason  | CHKD           | Wilson | MATL:  | Wilson | TOLERANCE | Mason     | DATE     | 05.02.2023 |
| APPD: | Schumi | 182AE15MGPFEA3 |        | FINISH | Jamy   |           | Sheet No. | 2 from 5 |            |

Customer:



## Technical Dimension (mm)



**D-SUB / Stamped Pin / Solder-Lug /  
OPEN-HEX-REAR-RIVET / Female**

Part No.: **T24A1034**

|       |        |      |        |        |        |           |           |          |            |           |
|-------|--------|------|--------|--------|--------|-----------|-----------|----------|------------|-----------|
| DRW:  | Jason  | CHKD | Wilson | MATL:  | Wilson | TOLERANCE | Mason     | DATE     | 05.02.2023 | Customer: |
| APPD: | Schumi |      |        | FINISH | Jamy   |           | Sheet No. | 3 from 5 |            |           |

# EDCON-COMPONENTS



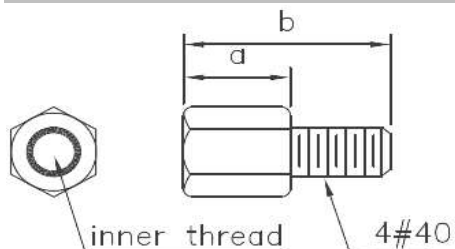
## Ordering Informations

| Serie | No of Pin | Contact Type | Contact Plating | Shell Plating | Process Option | Parts Option | Contact Inserting Optio | Insulator Colour | ROHS | Packing Code |
|-------|-----------|--------------|-----------------|---------------|----------------|--------------|-------------------------|------------------|------|--------------|
|-------|-----------|--------------|-----------------|---------------|----------------|--------------|-------------------------|------------------|------|--------------|

|                 |           |          |           |          |          |          |          |           |          |           |
|-----------------|-----------|----------|-----------|----------|----------|----------|----------|-----------|----------|-----------|
| <b>T24A1034</b> | <b>50</b> | <b>F</b> | <b>SF</b> | <b>T</b> | <b>C</b> | <b>E</b> | <b>A</b> | <b>WH</b> | <b>R</b> | <b>TY</b> |
|-----------------|-----------|----------|-----------|----------|----------|----------|----------|-----------|----------|-----------|

|                   |                  |  |                        |   |  |                                |  |  |  |
|-------------------|------------------|--|------------------------|---|--|--------------------------------|--|--|--|
| <b>50=</b> 50Pos. | <b>F=</b> Female | <b>SF=</b> Gold flash (Standard)1μ<br><b>S1=</b> Selective 3μ AU<br><b>S2=</b> Selective 5μ AU<br><b>S3=</b> Selective 15μ AU<br><b>S4=</b> Selective 30μ AU | <b>T=</b> Tin + Dimple | <b>C=</b> Open Hex Rear Rivet 3,8mm<br><b>D=</b> Open Hex Rear Rivet 5,8mm<br><b>K=</b> Open Hex Rear Rivet 2,5mm | <b>E=</b> Rear Rivet<br><b>F=</b> Rear Rivet loose screws 5,0x10,0mm<br><b>H=</b> Rear Rivet loose screws 4,8x11,8mm<br><b>J=</b> Rear Rivet loose screws 5,8x12,0mm<br><b>G=</b> Rear Rivet Fixed screws 5,0x10,0mm<br><b>I=</b> Rear Rivet fixed screws 4,8x11,8mm<br><b>K=</b> Rear Rivet fixed screws 5,8x12,0mm | <b>A=</b> Fully loaded contact | <b>WH=</b> White Colour<br><b>BK=</b> Black Colour<br><b>BL=</b> Blue Colour | <b>R=</b> ROHS Conform<br><b>N=</b> NON ROHS Conform | <b>TY=</b> Tray Packing<br><b>BU=</b> Bulk-Ware<br><b>IV=</b> Individual Package |
|-------------------|------------------|--|------------------------|---|--|--------------------------------|--|--|--|

Parts Option Dimension Table



| parts no. | DIM. a | DIM. b | inner thread |
|-----------|--------|--------|--------------|
| F,G       | 5.0    | 10.0   | 4#40         |
| H,I       | 4.8    | 11.8   | 4#40         |
| J,K       | 5.8    | 12.0   | 4#40         |

**D-SUB / Stamped Pin / Solder-Lug / OPEN-HEX-REAR-RIVET / Female**

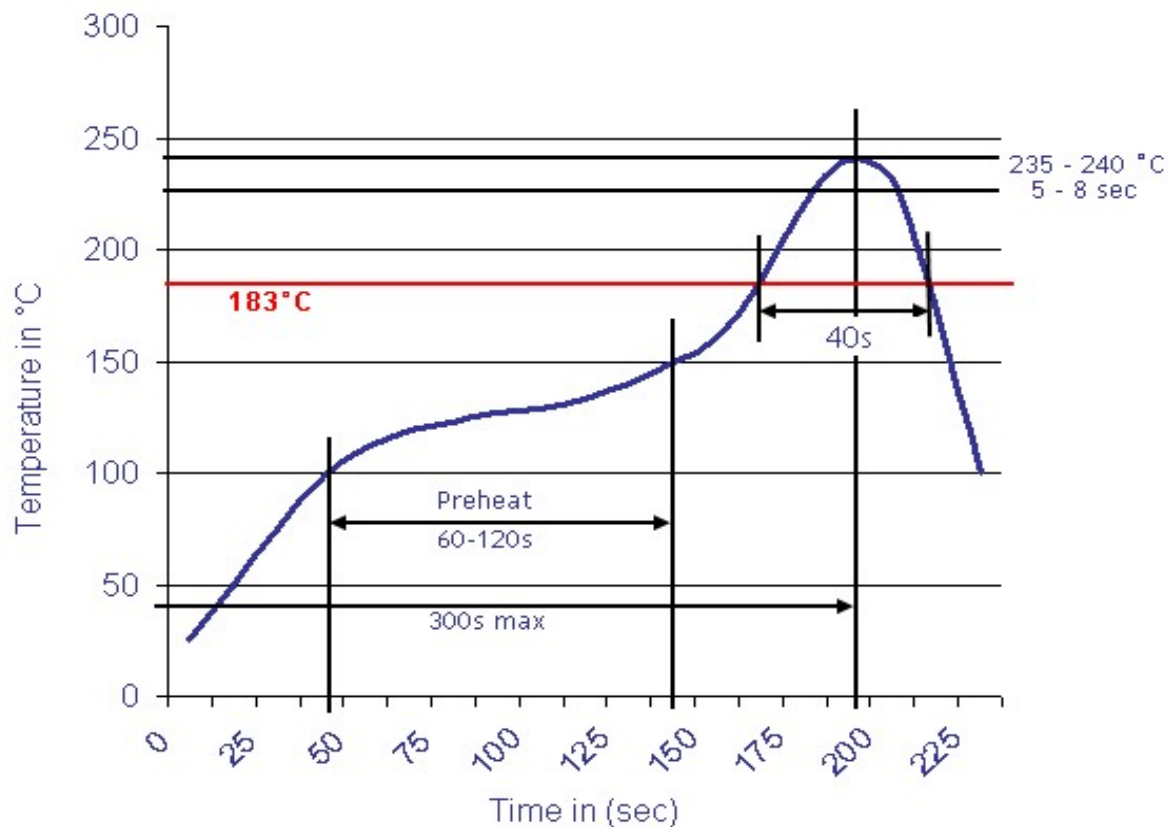
Part No.: **T24A1034**

|       |        |      |        |        |        |           |           |          |            |           |
|-------|--------|------|--------|--------|--------|-----------|-----------|----------|------------|-----------|
| DRW:  | Jason  | CHKD | Wilson | MATL:  | Wilson | TOLERANCE | Mason     | DATE     | 05.02.2023 | Customer: |
| APPD: | Schumi |      |        | FINISH | Jamy   |           | Sheet No. | 4 from 5 |            |           |



Soldering Profile Curve

Classification Reflow Profile (JEDEC J-STD-020C)



|  |                 |
|--|-----------------|
| D-SUB / Stamped Pin / Solder-Lug /<br>OPEN-HEX-REAR-RIVET / Female |                 |
| Part No.:  | <b>T24A1034</b> |
| Customer:  |                 |

|       |        |       |        |         |        |            |           |       |            |
|-------|--------|-------|--------|---------|--------|------------|-----------|-------|------------|
| DRW:  | Jason  | CHKD: | Wilson | MATL:   | Wilson | TOLERANCE: | Mason     | DATE: | 05.02.2023 |
| APPD: | Schumi |       |        | FINISH: | Jamy   |            | Sheet No. |       | 5 from 5   |