



DATA SHEET

D-SUB / Stamped Pin / Solder-Lug / OPEN-HEX-REAR-RIVET / Female

Serie: T24A1032

D-SUB / Stamped Pin / Solder-Lug / OPEN-HEX-REAR-RIVET / Female	
Serie No.:	T24A1032
Customer:	

DRW:	Jason	CHKD	Wilson	MATL:	Wilson	TOLERANCE	Mason	DATE	05.02.2023
APPD:	Schumi			FINISH	Jamy		Sheet No.		1 from 5

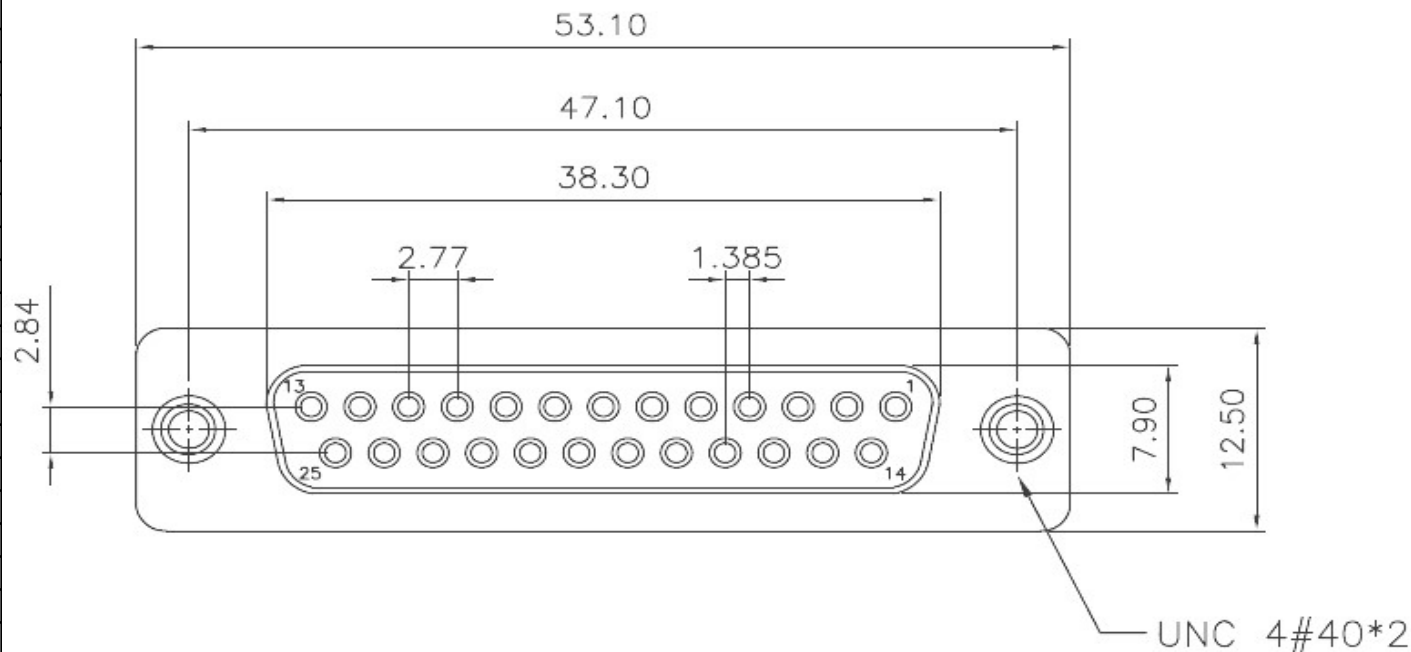
EDCON-COMPONENTS



Technical Informations

Material	
Insulator	PBT +30% GF rated UL-94-V0
Contact:	Brass C3602
Shell:	Steel
Rivet / Boardlock::	Copper Alloy
Contact Plating:	Gold Flash over 40µ Nickel on all area, Contact area see Ordering
Solder Tail Area:	80µ Tin/Lead
Electrical	
Opening Voltage:	250VAC max.
Current Rating:	3,0A max.
Contact Resistance:	15m Ω max.
Insulation Resistance:	3000M Ω min. @ 500VDC
Dielectric withstanding Voltage:	1000VAC 1 Minute
Mechanical:	
Operating Temperature Range:	.-55°C to + 105°C

Technical Dimensions (mm)



Tolerances unless otherwise specified (mm)

X	X.X	X.XX	X.XXX	Angle
±0,5	±0,3	±0,2	±	±5°

D-SUB / Stamped Pin / Solder-Lug / OPEN-HEX-REAR-RIVET / Female

Part No.: **T24A1032**

DRW:	Jason	CHKD	Wilson	MATL:	Wilson	TOLERANCE	Mason	DATE	05.02.2023
APPD:	Schumi	182AE15MGPFEA3		FINISH	Jamy		Sheet No.	2 from 5	

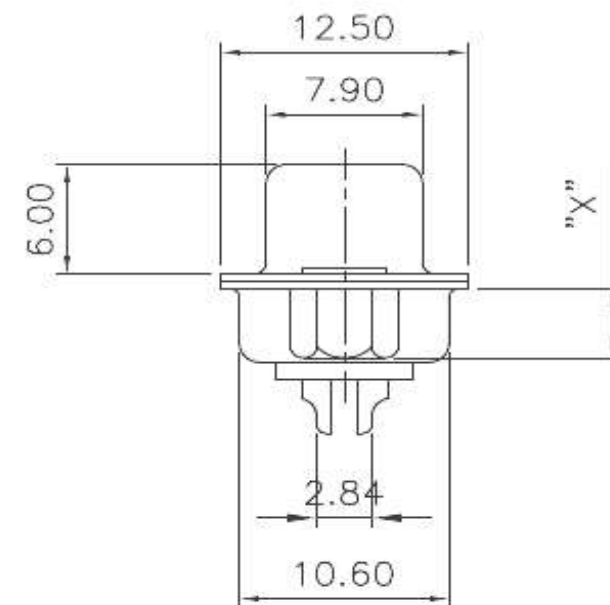
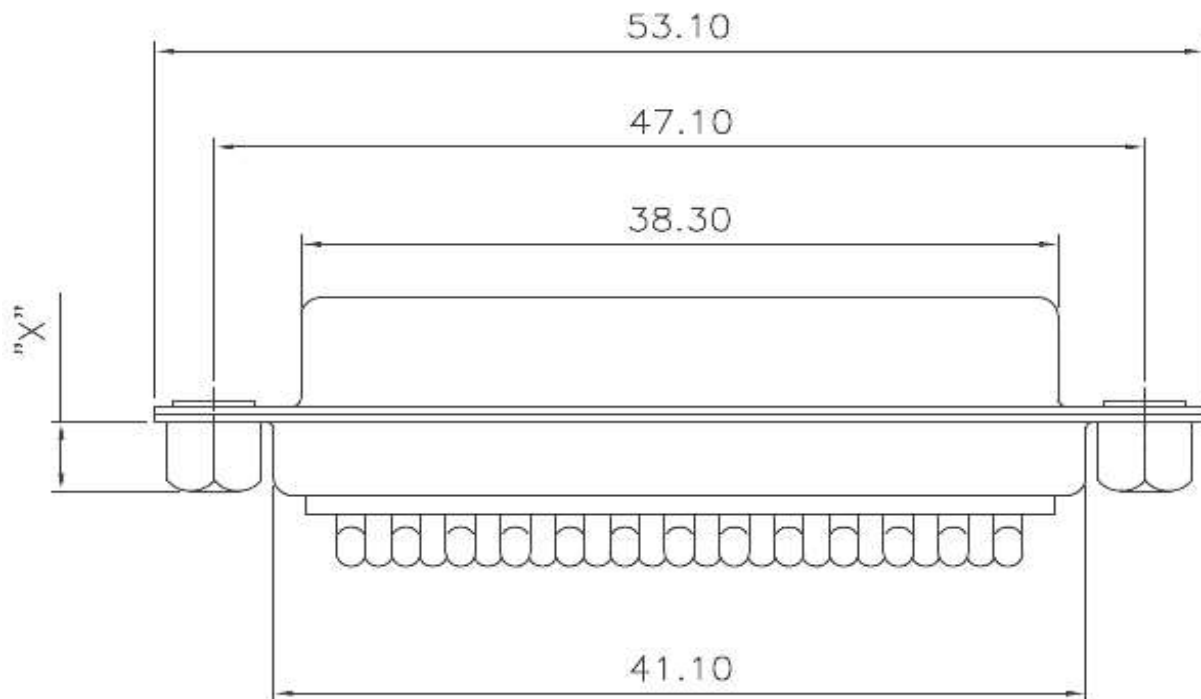
Customer:

www.edcon-components.com

email: info@edcon-components.com



Technical Dimension (mm)



D-SUB / Stamped Pin / Solder-Lug / OPEN-HEX-REAR-RIVET / Female	
Part No.:	T24A1032
Customer:	

DRW:	Jason	CHKD:	Wilson	MATL:	Wilson	TOLERANCE:	Mason	DATE:	05.02.2023
APPD:	Schumi			FINISH:	Jamy		Sheet No.		3 from 5

EDCON-COMPONENTS



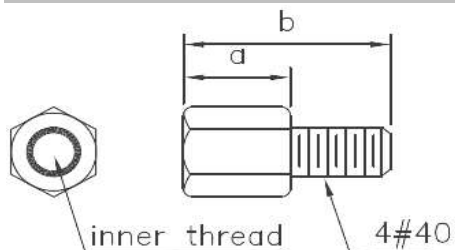
Ordering Informations

Serie	No of Pin	Contact Type	Contact Plating	Shell Plating	Process Option	Parts Option	Contact Inserting Optio	Insulator Colour	ROHS	Packing Code
-------	-----------	--------------	-----------------	---------------	----------------	--------------	-------------------------	------------------	------	--------------

T24A1032	25	F	SF	T	C	E	A	WH	R	TY
-----------------	-----------	----------	-----------	----------	----------	----------	----------	-----------	----------	-----------

25= 25Pos.	F= Female	SF= Gold flash (Standard)1µ S1= Selective 3µ AU S2= Selective 5µ AU S3= Selective 15µ AU S4= Selective 30µ AU	T= Tin + Dimple	C= Open Hex Rear Rivet 3,8mm D= Open Hex Rear Rivet 5,8mm K= Open Hex Rear Rivet 2,5mm	E= Rear Rivet F= Rear Rivet loose screws 5,0x10,0mm H= Rear Rivet loose screws 4,8x11,8mm J= Rear Rivet loose screws 5,8x12,0mm G= Rear Rivet Fixed screws 5,0x10,0mm I= Rear Rivet fixed screws 4,8x11,8mm K= Rear Rivet fixed screws 5,8x12,0mm	A= Fully loaded contact	WH= White Colour BK= Black Colour BL= Blue Colour	R= ROHS Conform N= NON ROHS Conform	TY= Tray Packing BU= Bulk-Ware IV= Individual Package
-------------------	------------------	--	------------------------	---	--	--------------------------------	--	--	--

Parts Option Dimension Table



parts no.	DIM. a	DIM. b	inner thread
F,G	5.0	10.0	4#40
H,I	4.8	11.8	4#40
J,K	5.8	12.0	4#40

D-SUB / Stamped Pin / Solder-Lug / OPEN-HEX-REAR-RIVET / Female

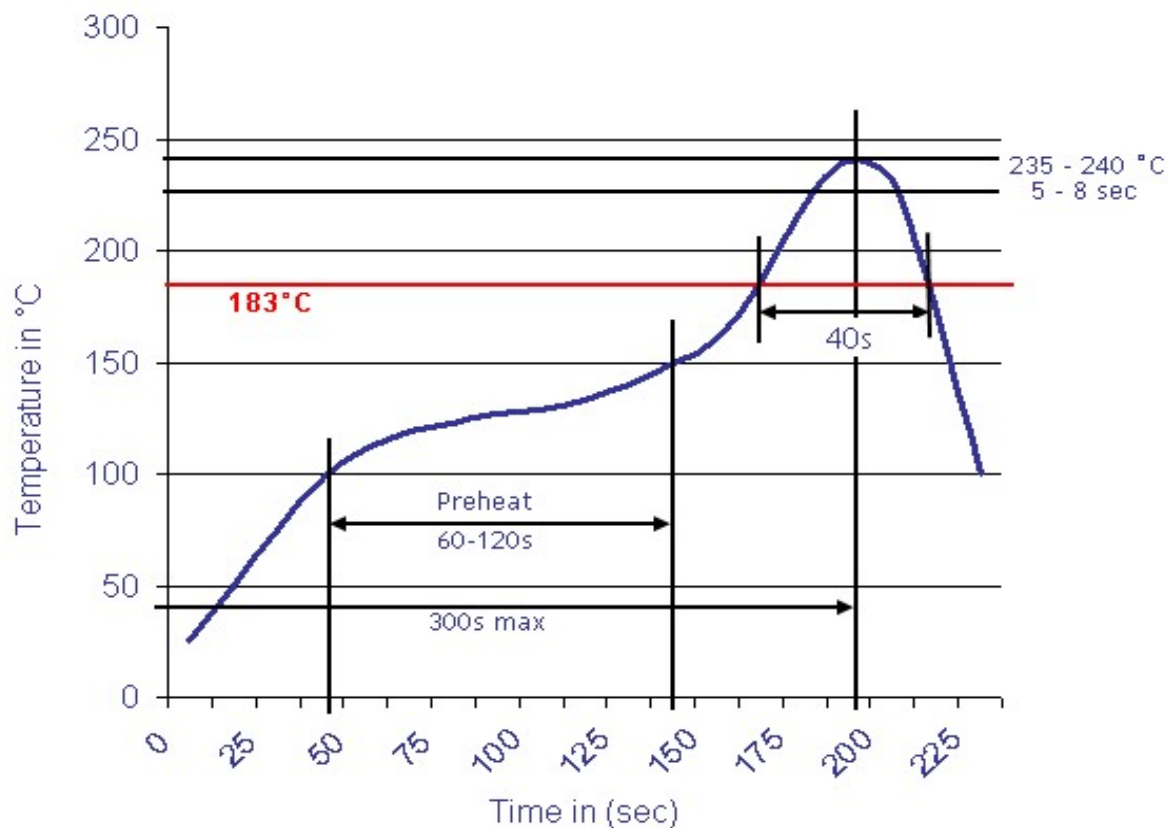
Part No.: **T24A1032**

DRW:	Jason	CHKD	Wilson	MATL:	Wilson	TOLERANCE	Mason	DATE	05.02.2023	Customer:
APPD:	Schumi			FINISH	Jamy		Sheet No.	4 from 5		



Soldering Profile Curve

Classification Reflow Profile (JEDEC J-STD-020C)



D-SUB / Stamped Pin / Solder-Lug / OPEN-HEX-REAR-RIVET / Female	
Part No.:	T24A1032
Customer:	

DRW:	Jason	CHKD:	Wilson	MATL:	Wilson	TOLERANCE:	Mason	DATE:	05.02.2023
APPD:	Schumi			FINISH:	Jamy		Sheet No.		5 from 5