



DATA SHEET

D-SUB / Stamped Pin / Solder-Lug / OPEN-HEX-REAR-RIVET / Male

Serie: T24A1028

| |
|--|
| D-SUB / Stamped Pin / Solder-Lug / OPEN-HEX-REAR-RIVET / Male |
| Serie No.: T24A1028 |
| Customer: |

| | | | | | | | | | |
|-------|--------|------|--------|--------|--------|-----------|-----------|------|------------|
| DRW: | Jason | CHKD | Wilson | MATL: | Wilson | TOLERANCE | Mason | DATE | 05.02.2023 |
| APPD: | Schumi | | | FINISH | Jamy | | Sheet No. | | 1 from 5 |

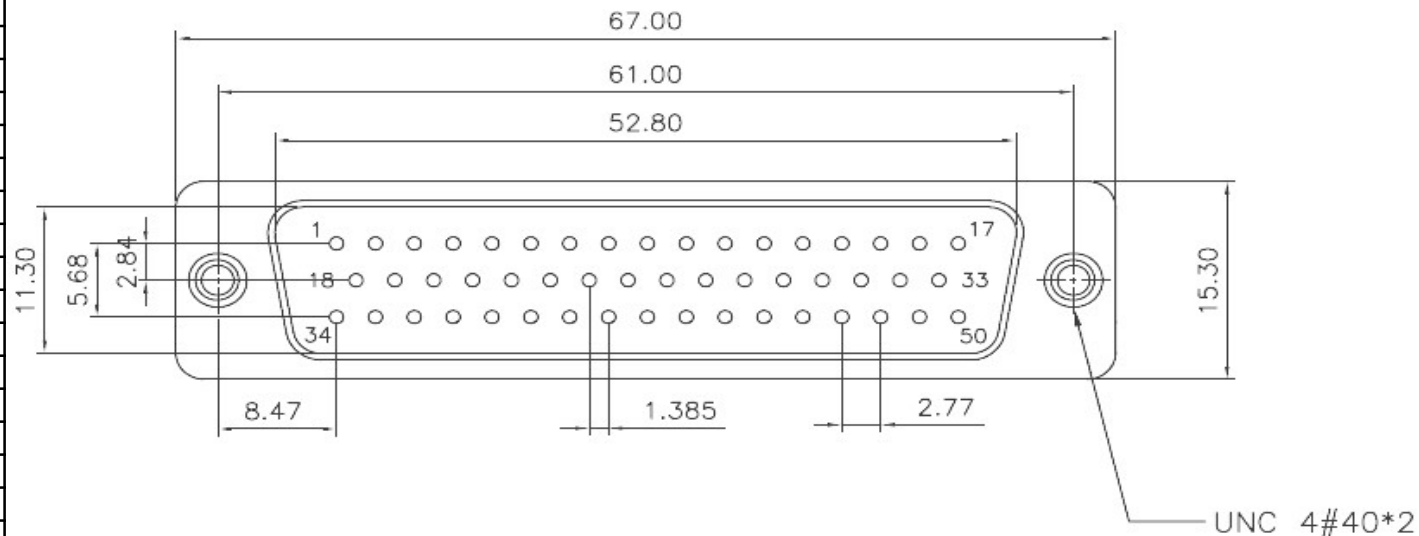
EDCON-COMPONENTS



Technical Informations

| | |
|----------------------------------|---|
| Material | |
| Insulator | PBT +30% GF rated UL-94-V0 |
| Contact: | Brass C3602 |
| Shell: | Steel |
| Rivet / Boardlock:: | Copper Alloy |
| | |
| Contact Plating: | Gold Flash over 40µ Nickel on all area, Contact area see Ordering |
| Solder Tail Area: | 80µ Tin/Lead |
| Electrical | |
| Operating Voltage: | 250VAC max. |
| Current Rating: | 3,0A max. |
| Contact Resistance: | 15m Ω max. |
| Insulation Resistance: | 3000M Ω min. @ 500VDC |
| Dielectric withstanding Voltage: | 1000VAC 1 Minute |
| | |
| Mechanical: | |
| Operating Temperature Range: | .-55°C to + 105°C |

Technical Dimensions (mm)



Tolerances unless otherwise specified (mm)

| X | X.X | X.XX | X.XXX | Angle |
|------|------|------|-------|-------|
| ±0,5 | ±0,3 | ±0,2 | ± | ±5° |

D-SUB / Stamped Pin / Solder-Lug / OPEN-HEX-REAR-RIVET / Male

Part No.: **T24A1028**

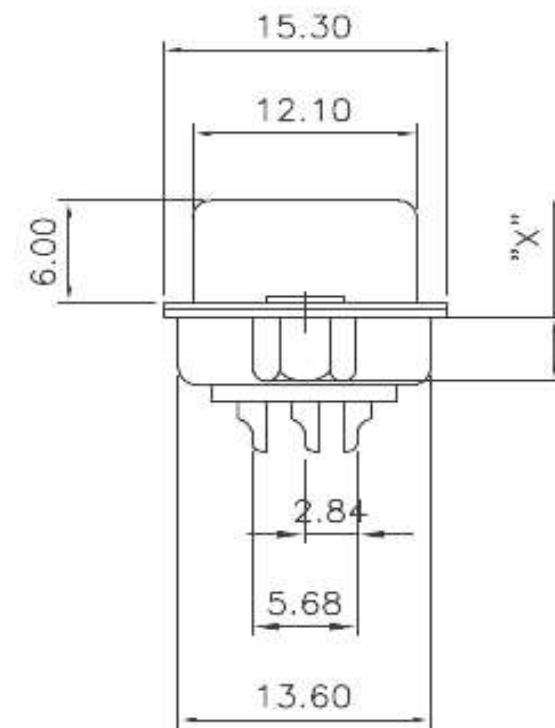
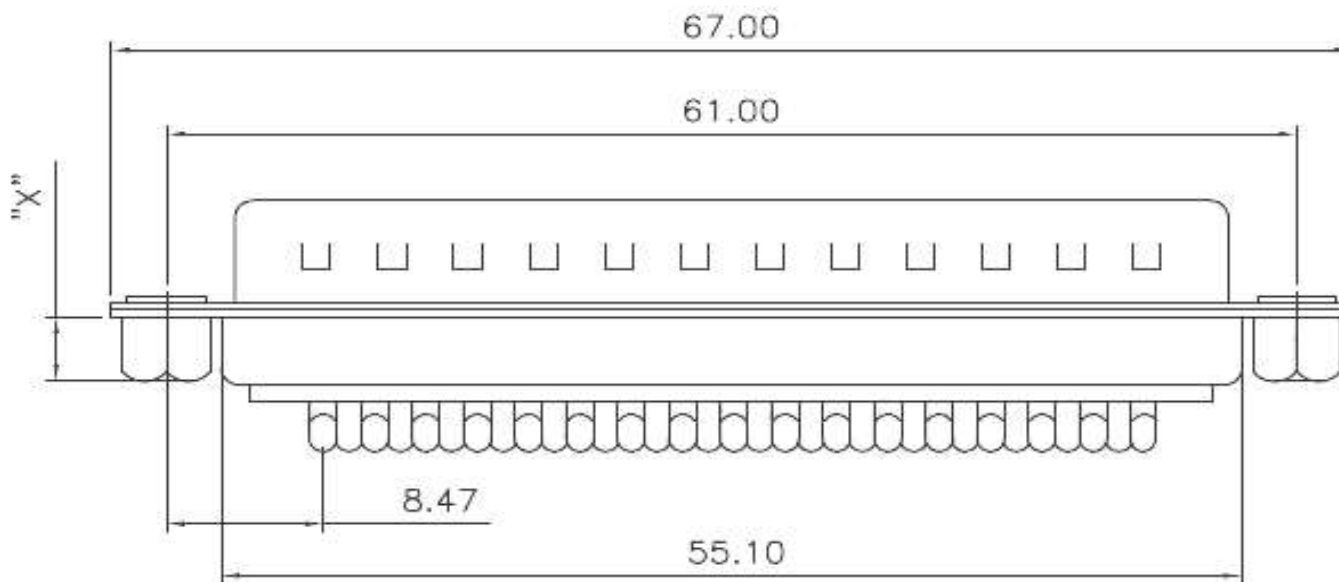
| | | | | | | | | | |
|-------|--------|----------------|--------|--------|--------|-----------|-----------|----------|------------|
| DRW: | Jason | CHKD | Wilson | MATL: | Wilson | TOLERANCE | Mason | DATE | 05.02.2023 |
| APPD: | Schumi | 182AE15MGPFEA3 | | FINISH | Jamy | | Sheet No. | 2 from 5 | |

Customer:

EDCON-COMPONENTS



Technical Dimension (mm)



| | |
|--|-----------------|
| D-SUB / Stamped Pin / Solder-Lug / OPEN-HEX-REAR-RIVET / Male | |
| Part No.: | T24A1028 |
| Customer: | |

| | | | | | | | | | |
|-------|--------|---------|--------|-------|--------|------------|-----------|-------|------------|
| DRW: | Jason | CHKD: | Wilson | MATL: | Wilson | TOLERANCE: | Mason | DATE: | 05.02.2023 |
| APPD: | Schumi | FINISH: | Jamy | | | | Sheet No. | | 3 from 5 |

www.edcon-components.com

email: info@edcon-components.com

EDCON-COMPONENTS



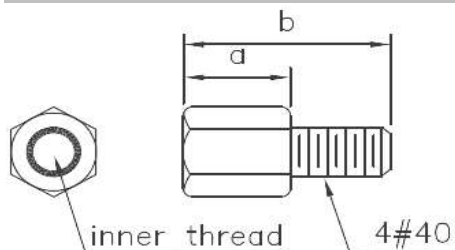
Ordering Informations

| Serie | No of Pin | Contact Type | Contact Plating | Shell Plating | Process Option | Parts Option | Contact Inserting Optio | Insulator Colour | ROHS | Packing Code |
|-------|-----------|--------------|-----------------|---------------|----------------|--------------|-------------------------|------------------|------|--------------|
|-------|-----------|--------------|-----------------|---------------|----------------|--------------|-------------------------|------------------|------|--------------|

| | | | | | | | | | | |
|-----------------|-----------|----------|-----------|----------|----------|----------|----------|-----------|----------|-----------|
| T24A1028 | 50 | M | SF | T | C | E | A | WH | R | TY |
|-----------------|-----------|----------|-----------|----------|----------|----------|----------|-----------|----------|-----------|

| | | | | | | | | | |
|-------------------|----------------|--|------------------------|---|--|--------------------------------|--|--|--|
| 50= 50Pos. | M= Male | SF= Gold flash (Standard)1μ S1= Selective 3μ AU S2= Selective 5μ AU S3= Selective 15μ AU S4= Selective 30μ AU | T= Tin + Dimple | C= Open Hex Rear Rivet 3,8mm D= Open Hex Rear Rivet 5,8mm K= Open Hex Rear Rivet 2,5mm | E= Rear Rivet F= Rear Rivet loose screws 5,0x10,0mm H= Rear Rivet loose screws 4,8x11,8mm J= Rear Rivet loose screws 5,8x12,0mm G= Rear Rivet Fixed screws 5,0x10,0mm I= Rear Rivet fixed screws 4,8x11,8mm K= Rear Rivet fixed screws 5,8x12,0mm | A= Fully loaded contact | WH= White Colour BK= Black Colour BL= Blue Colour | R= ROHS Conform N= NON ROHS Conform | TY= Tray Packing BU= Bulk-Ware IV= Individual Package |
|-------------------|----------------|--|------------------------|---|--|--------------------------------|--|--|--|

Parts Option Dimension Table



| parts no. | DIM. a | DIM. b | inner thread |
|-----------|--------|--------|--------------|
| F,G | 5.0 | 10.0 | 4#40 |
| H,I | 4.8 | 11.8 | 4#40 |
| J,K | 5.8 | 12.0 | 4#40 |

D-SUB / Stamped Pin / Solder-Lug / OPEN-HEX-REAR-RIVET / Male

Part No.: **T24A1028**

| | | | | | | | | | | |
|-------|--------|------|--------|--------|--------|-----------|-----------|----------|------------|-----------|
| DRW: | Jason | CHKD | Wilson | MATL: | Wilson | TOLERANCE | Mason | DATE | 05.02.2023 | Customer: |
| APPD: | Schumi | | | FINISH | Jamy | | Sheet No. | 4 from 5 | | |



Soldering Profile Curve

Classification Reflow Profile (JEDEC J-STD-020C)



| | |
|--|-----------------|
| D-SUB / Stamped Pin / Solder-Lug / OPEN-HEX-REAR-RIVET / Male | |
| Part No.: | T24A1028 |
| Customer: | |

| | | | | | | | | | |
|-------|--------|-------|--------|---------|--------|------------|-----------|-------|------------|
| DRW: | Jason | CHKD: | Wilson | MATL: | Wilson | TOLERANCE: | Mason | DATE: | 05.02.2023 |
| APPD: | Schumi | | | FINISH: | Jamy | | Sheet No. | | 5 from 5 |