



DATA SHEET

D-SUB / Stamped Pin / Solder-Lug / OPEN-HEX-REAR-RIVET / Male

Serie: T24A1025

D-SUB / Stamped Pin / Solder-Lug / OPEN-HEX-REAR-RIVET / Male
Serie No.: T24A1025
Customer:

DRW:	Jason	CHKD	Wilson	MATL:	Wilson	TOLERANCE	Mason	DATE	05.02.2023
APPD:	Schumi			FINISH	Jamy		Sheet No.		1 from 5

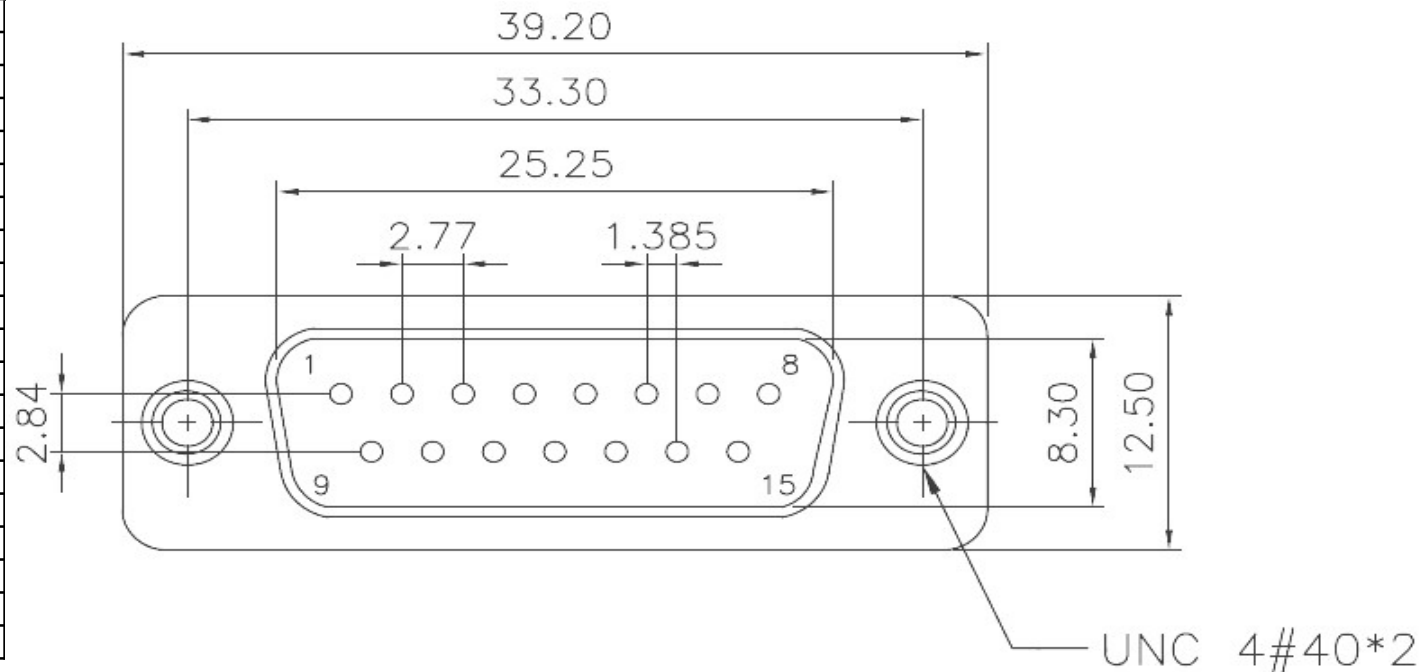
EDCON-COMPONENTS



Technical Informations

Material	
Insulator	PBT +30% GF rated UL-94-V0
Contact:	Brass C3602
Shell:	Steel
Rivet / Boardlock::	Copper Alloy
Contact Plating:	Gold Flash over 40µ Nickel on all area, Contact area see Ordering
Solder Tail Area:	80µ Tin/Lead
Electrical	
Opening Voltage:	250VAC max.
Current Rating:	3,0A max.
Contact Resistance:	15m Ω max.
Insulation Resistance:	3000M Ω min. @ 500VDC
Dielectric withstanding Voltage:	1000VAC 1 Minute
Mechanical:	
Operating Temperature Range:	.-55°C to + 105°C

Technical Dimensions (mm)



Tolerances unless otherwise specified (mm)

X	X.X	X.XX	X.XXX	Angle
±0,5	±0,3	±0,2	±	±5°

D-SUB / Stamped Pin / Solder-Lug / OPEN-HEX-REAR-RIVET / Male

Part No.: **T24A1025**

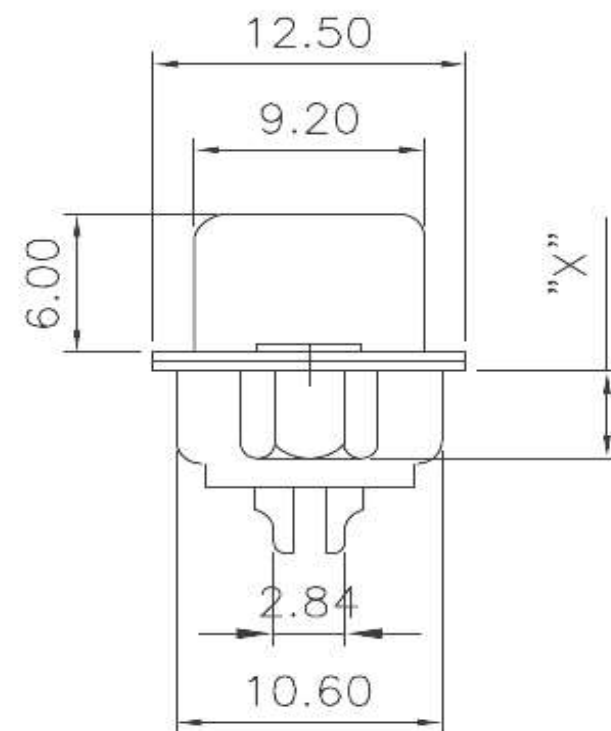
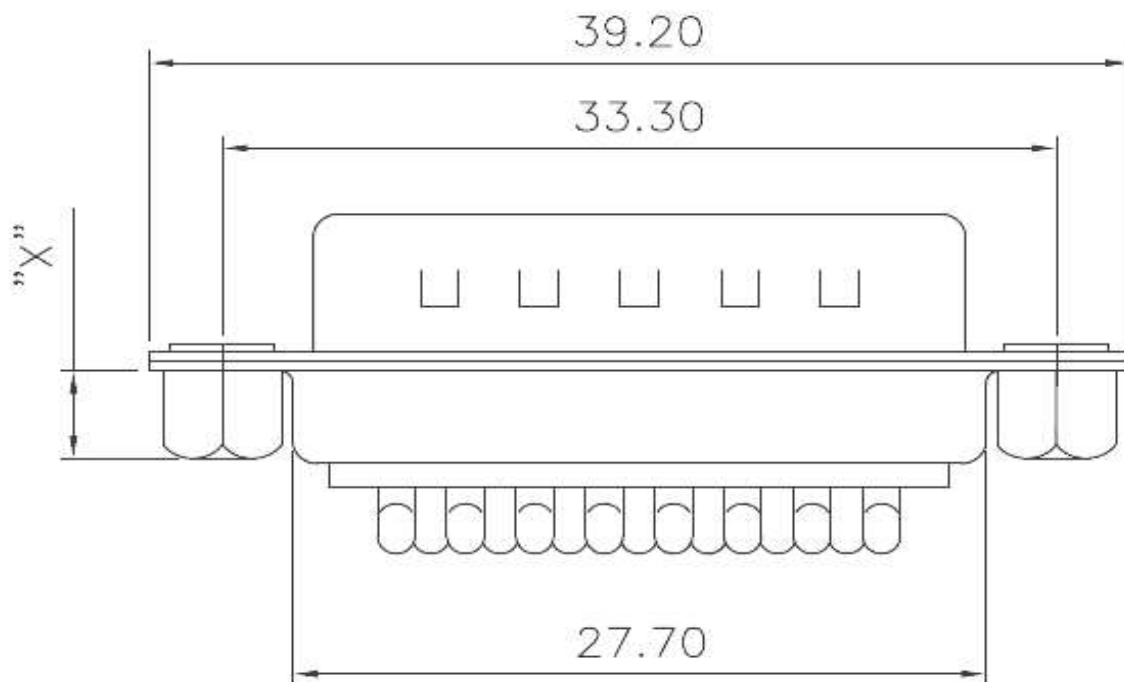
DRW:	Jason	CHKD	Wilson	MATL:	Wilson	TOLERANCE	Mason	DATE	05.02.2023
APPD:	Schumi	182AE15MGPFEA3		FINISH	Jamy		Sheet No.	2 from 5	

Customer:

EDCON-COMPONENTS



Technical Dimension (mm)



D-SUB / Stamped Pin / Solder-Lug /
OPEN-HEX-REAR-RIVET / Male

Part No.: **T24A1025**

DRW:	Jason	CHKD	Wilson	MATL:	Wilson	TOLERANCE	Mason	DATE	05.02.2023	Customer:
APPD:	Schumi			FINISH	Jamy		Sheet No.	3 from 5		

www.edcon-components.com

email: info@edcon-components.com

EDCON-COMPONENTS



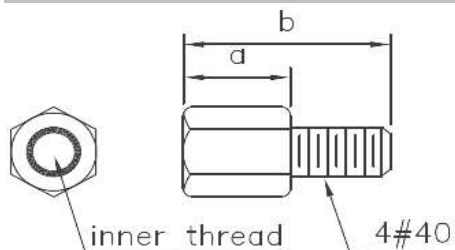
Ordering Informations

Serie	No of Pin	Contact Type	Contact Plating	Shell Plating	Process Option	Parts Option	Contact Inserting Optio	Insulator Colour	ROHS	Packing Code
-------	-----------	--------------	-----------------	---------------	----------------	--------------	-------------------------	------------------	------	--------------

T24A1025	15	M	SF	T	C	E	A	WH	R	TY
-----------------	-----------	----------	-----------	----------	----------	----------	----------	-----------	----------	-----------

15= 15Pos.	M= Male	SF= Gold flash (Standard)1μ	T= Tin + Dimple	C= Open Hex Rear Rivet 3,8mm	E= Rear Rivet	A= Fully loaded contact	WH= White Colour	R= ROHS Conform	TY= Tray Packing
		S1= Selective 3μ AU			F= Rear Rivet loose screws 5,0x10,0mm		N= NON ROHS Conform		
		S2= Selective 5μ AU		D= Open Hex Rear Rivet 5,8mm	H= Rear Rivet loose screws 4,8x11,8mm		BK= Black Colour		BU= Bulk-Ware
		S3= Selective 15μ AU			I= Rear Rivet fixed screws 4,8x11,8mm		BL= Blue Colour		
		S4= Selective 30μ AU		K= Open Hex Rear Rivet 2,5mm	J= Rear Rivet loose screws 5,8x12,0mm				IV= Individual Package

Parts Option Dimension Table



parts no.	DIM. a	DIM. b	inner thread
F,G	5.0	10.0	4#40
H,I	4.8	11.8	4#40
J,K	5.8	12.0	4#40

G= Rear Rivet Fixed screws 5,0x10,0mm
I= Rear Rivet fixed screws 4,8x11,8mm
K= Rear Rivet fixed screws 5,8x12,0mm

D-SUB / Stamped Pin / Solder-Lug / OPEN-HEX-REAR-RIVET / Male

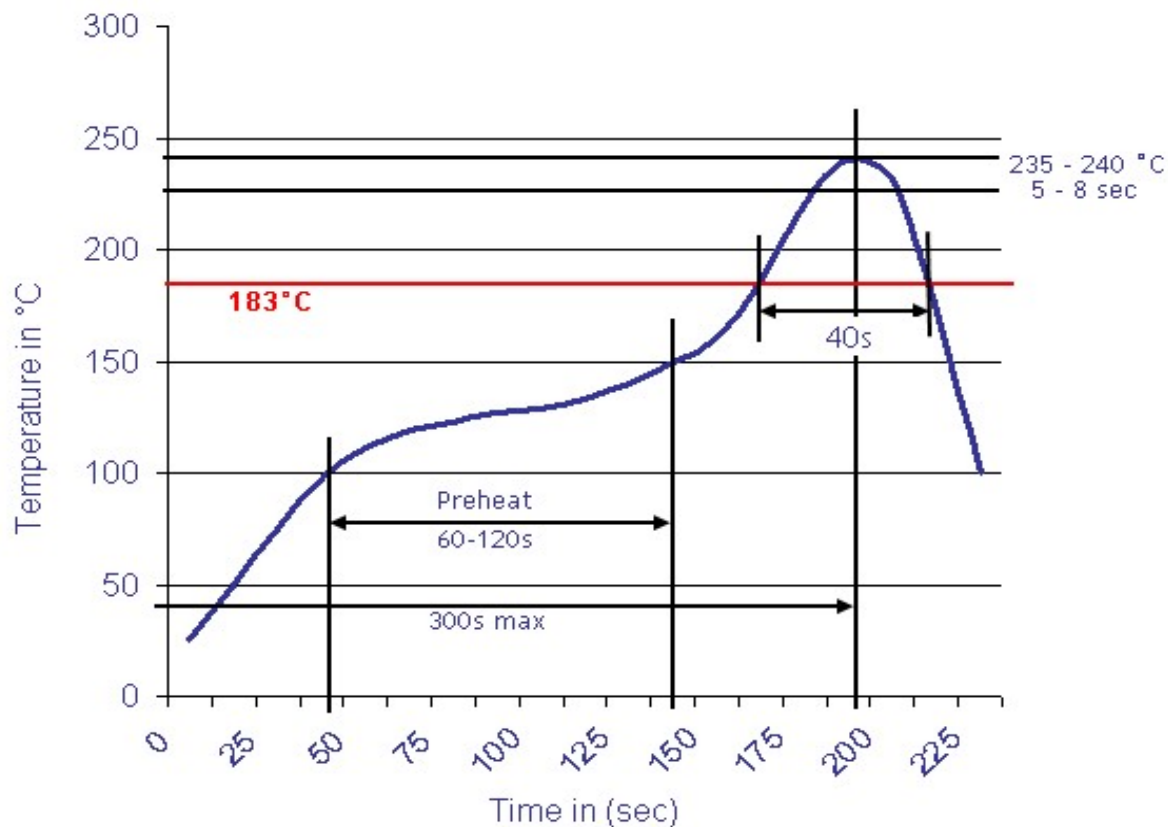
Part No.: **T24A1025**

DRW:	Jason	CHKD	Wilson	MATL:	Wilson	TOLERANCE	Mason	DATE	05.02.2023	Customer:
APPD:	Schumi			FINISH	Jamy		Sheet No.	4 from 5		



Soldering Profile Curve

Classification Reflow Profile (JEDEC J-STD-020C)



D-SUB / Stamped Pin / Solder-Lug / OPEN-HEX-REAR-RIVET / Male	
Part No.:	T24A1025
Customer:	

DRW:	Jason	CHKD:	Wilson	MATL:	Wilson	TOLERANCE:	Mason	DATE:	05.02.2023
APPD:	Schumi			FINISH:	Jamy		Sheet No.		5 from 5