



# DATA SHEET

**D-SUB / Stamped Pin / Solder-Lug / OPEN-HEX-FRONT-RIVET / Female**

## Serie: T24A1019

<b>D-SUB / Stamped Pin / Solder-Lug / OPEN-HEX-FRONT-RIVET / Female</b>	
Serie No.:	<b>T24A1019</b>
Customer:	

DRW:	Jason	CHKD	Wilson	MATL:	Wilson	TOLERANCE	Mason	DATE	05.02.2023
APPD:	Schumi			FINISH	Jamy		Sheet No.		1 from 5

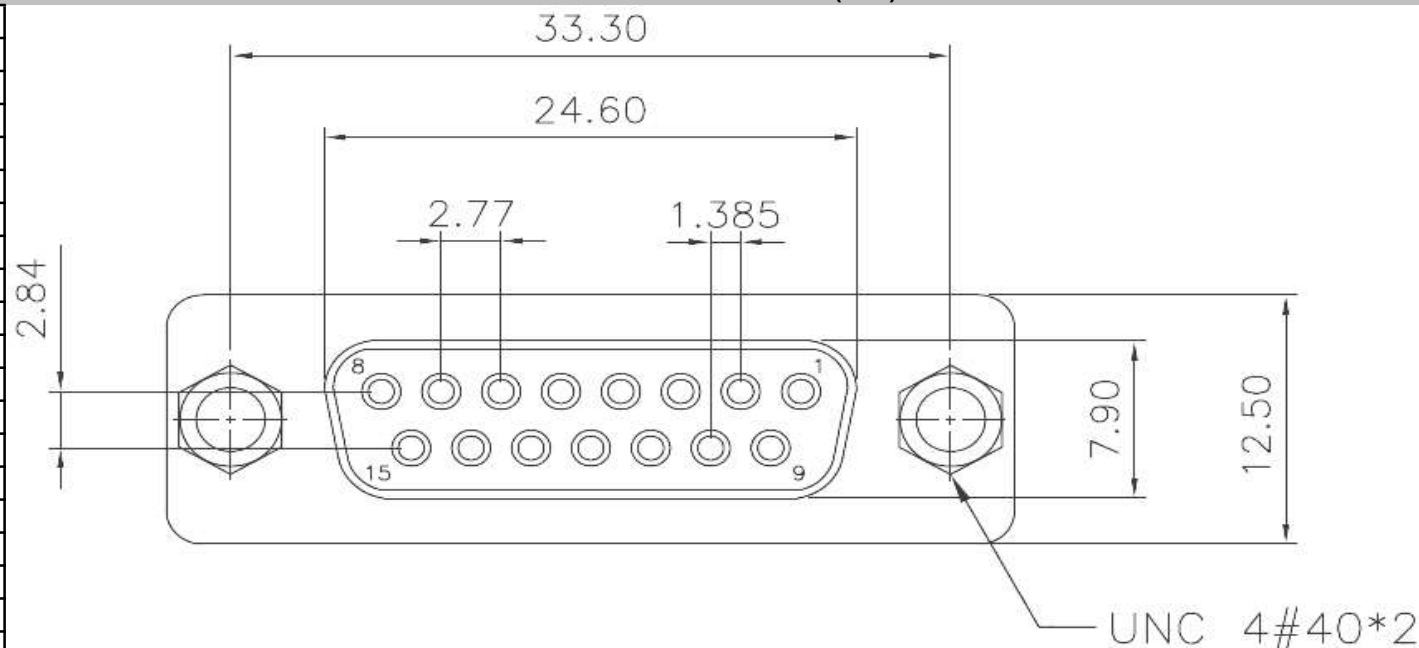
# EDCON-COMPONENTS



## Technical Informations

<b>Material</b>	
Insulator	PBT +30% GF rated UL-94-V0
Contact:	Brass C3602
Shell:	Steel
Rivet / Boardlock::	Copper Alloy
Contact Plating:	Gold Flash over 40µ Nickel on all area, Contact area see Ordering
Solder Tail Area:	80µ Tin/Lead
<b>Electrical</b>	
Opening Voltage:	250VAC max.
Current Rating:	3,0A max.
Contact Resistance:	15m Ω max.
Insulation Resistance:	3000M Ω min. @ 500VDC
Dielectric withstanding Voltage:	1000VAC 1 Minute
<b>Mechanical:</b>	
Operating Temperature Range:	.-55°C to + 105°C

## Technical Dimensions (mm)



### Tolerances unless otherwise specified (mm)

X	X.X	X.XX	X.XXX	Angle
±0,5	±0,3	±0,2	±	±5°

**D-SUB / Stamped Pin / Solder-Lug / OPEN-HEX-FRONT-RIVET / Female**

Part No.: **T24A1019**

DRW:	Jason	CHKD	Wilson	MATL:	Wilson	TOLERANCE	Mason	DATE	05.02.2023
APPD:	Schumi	182AE15MGPFEA3		FINISH	Jamy		Sheet No.	2 from 5	

Customer:

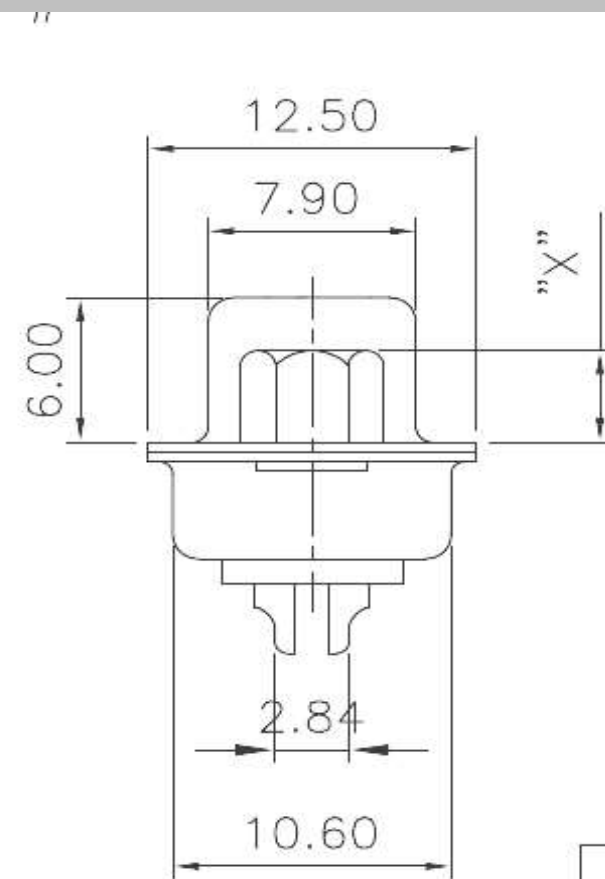
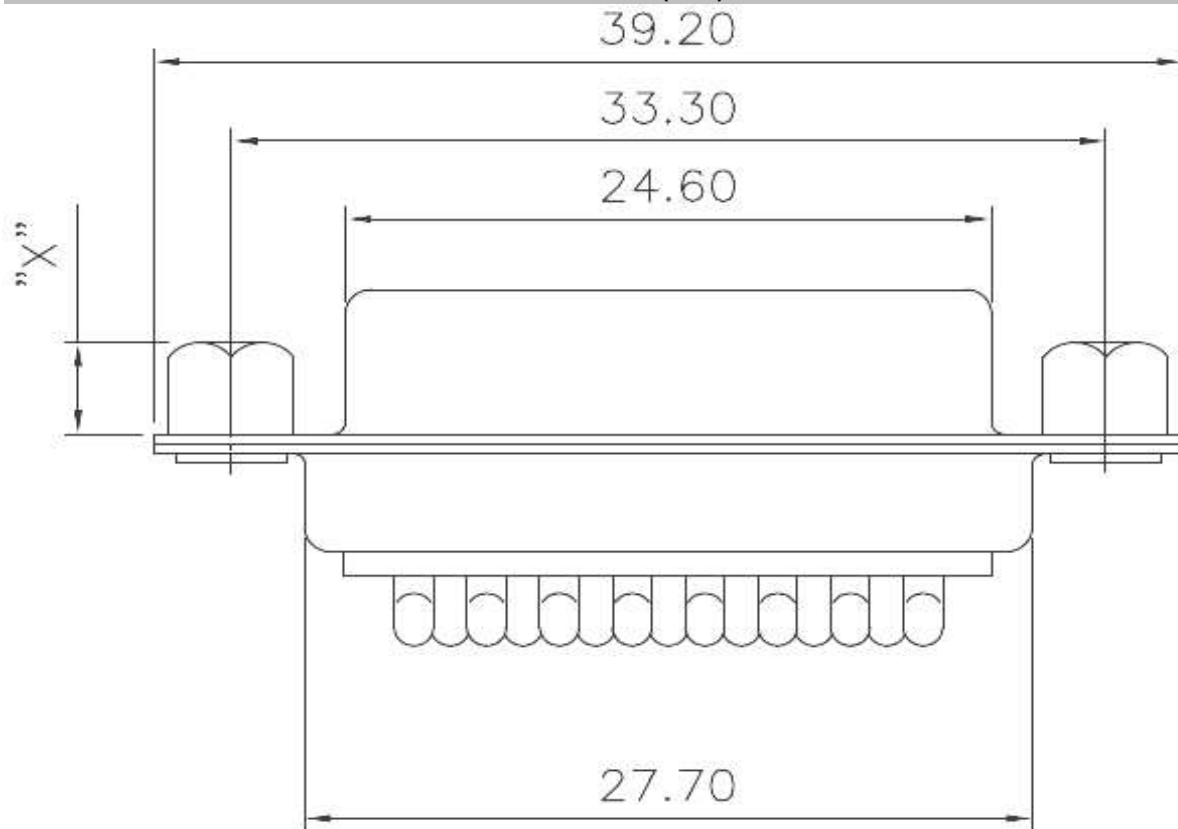
[www.edcon-components.com](http://www.edcon-components.com)

email: [info@edcon-components.com](mailto:info@edcon-components.com)

# EDCON-COMPONENTS



## Technical Dimension (mm)



**D-SUB / Stamped Pin / Solder-Lug /  
OPEN-HEX-FRONT-RIVET / Female**

Part No.: **T24A1019**

DRW:	Jason	CHKD	Wilson	MATL:	Wilson	TOLERANCE	Mason	DATE	05.02.2023
APPD:	Schumi			FINISH	Jamy		Sheet No.		3 from 5

Customer:

[www.edcon-components.com](http://www.edcon-components.com)

email: [info@edcon-components.com](mailto:info@edcon-components.com)

# EDCON-COMPONENTS



## Ordering Informations

Serie	No of Pin	Contact Type	Contact Plating	Shell Plating	Process Option	Parts Option	Contact Inserting Optio	Insulator Colour	ROHS	Packing Code
-------	-----------	--------------	-----------------	---------------	----------------	--------------	-------------------------	------------------	------	--------------

<b>T24A1019</b>	<b>15</b>	<b>F</b>	<b>SF</b>	<b>T</b>	<b>C</b>	<b>B</b>	<b>A</b>	<b>WH</b>	<b>R</b>	<b>TY</b>
-----------------	-----------	----------	-----------	----------	----------	----------	----------	-----------	----------	-----------

<b>15=</b> 15Pos.	<b>F=</b> Female	<b>SF=</b> Gold flash (Standard)1μ	<b>T=</b> Tin + Dimple	<b>C=</b> Open Hex Front Rivet 3,8mm	<b>B=</b> Front Rivet	<b>A=</b> Fully loaded contact	<b>WH=</b> White Colour	<b>R=</b> ROHS Conform	<b>TY=</b> Tray Packing
		<b>S1=</b> Selective 3μ AU					<b>N=</b> NON ROHS Conform		
		<b>S2=</b> Selective 5μ AU		<b>D=</b> Open Hex Front Rivet 5,8mm			<b>BK=</b> Black Colour	<b>BU=</b> Bulk-Ware	
		<b>S3=</b> Selective 15μ AU					<b>BL=</b> Blue Colour		
		<b>S4=</b> Selective 30μ AU		<b>K=</b> Open Hex Front Rivet 2,5mm				<b>IV=</b> Individual Package	
				<b>F=</b> Closed Hex Front Rivet 5,8mm					

**D-SUB / Stamped Pin / Solder-Lug / OPEN-HEX-FRONT-RIVET / Female**

Part No.: **T24A1019**

DRW:	Jason	CHKD	Wilson	MATL:	Wilson	TOLERANCE	Mason	DATE	05.02.2023
APPD:	Schumi			FINISH	Jamy		Sheet No.		4 from 5

Customer:



Soldering Profile Curve

Classification Reflow Profile (JEDEC J-STD-020C)



D-SUB / Stamped Pin / Solder-Lug / OPEN-HEX-FRONT-RIVET / Female	
Part No.:	<b>T24A1019</b>
Customer:	

DRW:	Jason	CHKD:	Wilson	MATL:	Wilson	TOLERANCE:	Mason	DATE:	05.02.2023
APPD:	Schumi			FINISH:	Jamy		Sheet No.		5 from 5