



# DATA SHEET

D-SUB / Stamped Pin / Solder-Lug / Throug-Hole / Male

## Serie: T24A1004

D-SUB / Stamped Pin / Solder-Lug / Throug-Hole / Male	
Serie No.:	<b>T24A1004</b>
Customer:	

DRW:	Jason	CHKD	Wilson	MATL:	Wilson	TOLERANCE	Mason	DATE	05.02.2023
APPD:	Schumi			FINISH	Jamy		Sheet No.		1 from 5

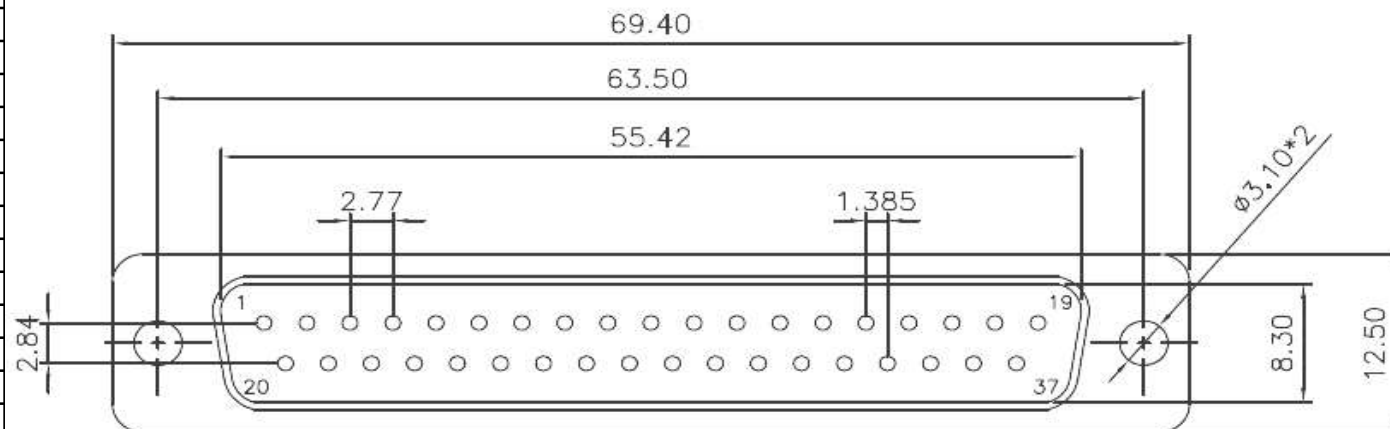
# EDCON-COMPONENTS



## Technical Informations

<b>Material</b>	
Insulator	PBT +30% GF rated UL-94-V0
Contact:	Brass C3602
Shell:	Steel
Rivet / Boardlock::	Copper Alloy
Contact Plating:	Gold Flash over 40µ Nickel on all area, Contact area see Ordering
Solder Tail Area:	80µ Tin/Lead
<b>Electrical</b>	
Opening Voltage:	250VAC max.
Current Rating:	3,0A max.
Contact Resistance:	15m Ω max.
Insulation Resistance:	3000M Ω min. @ 500VDC
Dielectric withstanding Voltage:	1000VAC 1 Minute
<b>Mechanical:</b>	
Operating Temperature Range:	.-55°C to + 105°C

## Technical Dimensions (mm)



Tolerances unless otherwise specified (mm)

X	X.X	X.XX	X.XXX	Angle
±0,5	±0,3	±0,2	±	±5°

D-SUB / Stamped Pin / Solder-Lug / Through-Hole / Male

Part No.: **T24A1004**

DRW:	Jason	CHKD	Wilson	MATL:	Wilson	TOLERANCE	Mason	DATE	05.02.2023
APPD:	Schumi	182AE15MGPFEA3		FINISH	Jamy		Sheet No.	2 from 5	

Customer:

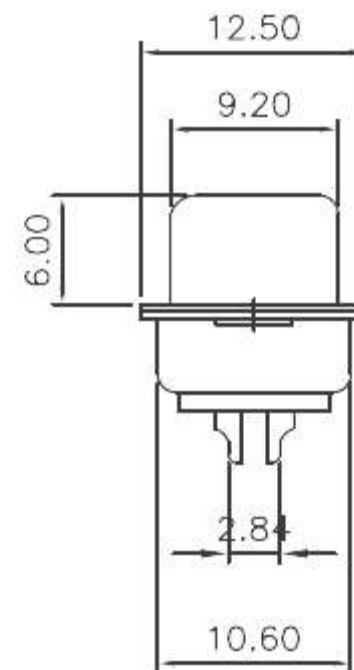
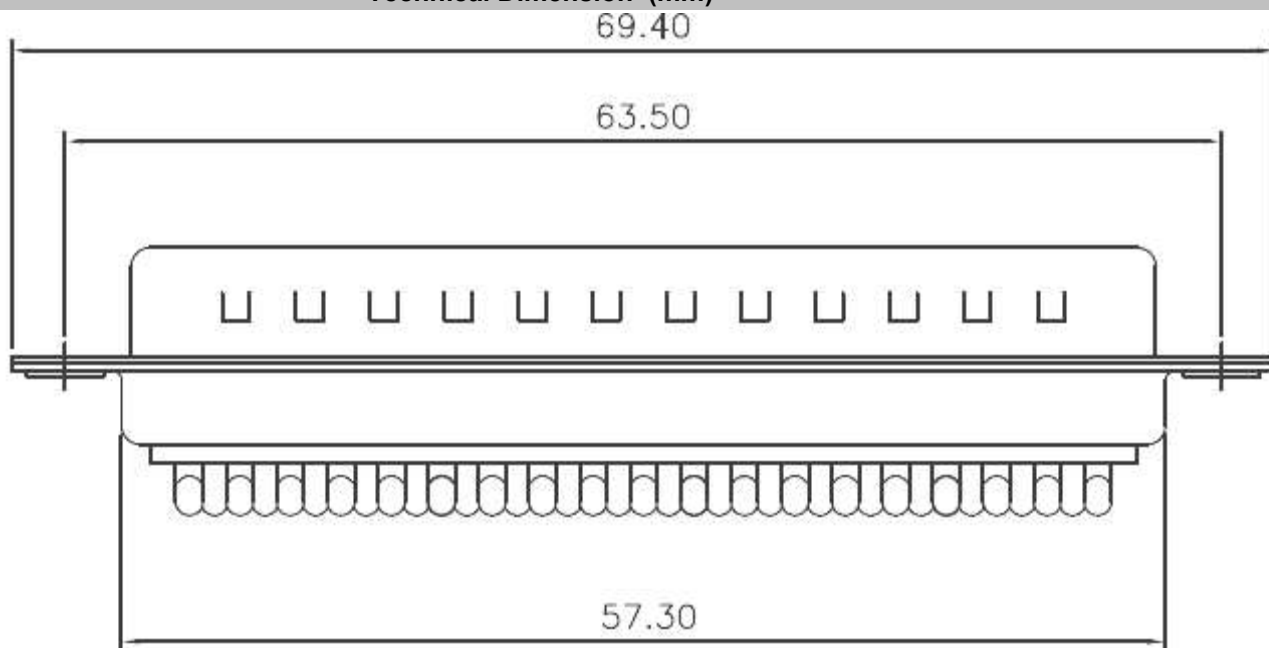
[www.edcon-components.com](http://www.edcon-components.com)

email: [info@edcon-components.com](mailto:info@edcon-components.com)

# EDCON-COMPONENTS



## Technical Dimension (mm)



<b>D-SUB / Stamped Pin / Solder-Lug / Through-Hole / Male</b>	
Part No.:	<b>T24A1004</b>
Customer:	

DRW:	Jason	CHKD	Wilson	MATL:	Wilson	TOLERANCE	Mason	DATE	05.02.2023
APPD:	Schumi			FINISH	Jamy		Sheet No.		3 from 5

[www.edcon-components.com](http://www.edcon-components.com)

email: [info@edcon-components.com](mailto:info@edcon-components.com)

# EDCON-COMPONENTS



## Ordering Informations

Serie	No of Pin	Contact Type	Contact Plating	Shell Plating	Process Option	Parts Option	Contact Inserting Optio	Insulator Colour	ROHS	Packing Code
-------	-----------	--------------	-----------------	---------------	----------------	--------------	-------------------------	------------------	------	--------------

<b>T24A1004</b>	<b>37</b>	<b>M</b>	<b>SF</b>	<b>T</b>	<b>A</b>	<b>A</b>	<b>A</b>	<b>WH</b>	<b>R</b>	<b>TY</b>
-----------------	-----------	----------	-----------	----------	----------	----------	----------	-----------	----------	-----------

<b>37= 37Pos.</b>	<b>M= Male</b>	<b>SF= Gold flash (Standard)1μ</b>	<b>T= Tin + Dimple</b>	<b>A= Through Hole</b>	<b>A= No accessories</b>	<b>A= Fully loaded contact</b>	<b>WH= White Colour</b>	<b>R= ROHS Conform</b>	<b>TY= Tray Packing</b>
		<b>S1= Selective 3μ AU</b>					<b>N= NON ROHS Conform</b>		
		<b>S2= Selectiv 5μ AU</b>					<b>BK= Black Colour</b>		<b>BU= Bulk-Ware</b>
		<b>S3= Selectiv 15μ AU</b>					<b>BL= Blue Colour</b>		
		<b>S4= Selectiv 30μ AU</b>							<b>IV= Individual Package</b>

**D-SUB / Stamped Pin / Solder-Lug / Through-Hole / Male**

Part No.: **T24A1004**

DRW:	Jason	CHKD	Wilson	MATL:	Wilson	TOLERANCE	Mason	DATE	05.02.2023
APPD:	Schumi			FINISH	Jamy		Sheet No.		4 from 5

Customer:



Soldering Profile Curve

Classification Reflow Profile (JEDEC J-STD-020C)



D-SUB / Stamped Pin / Solder-Lug / Through-Hole / Male
Part No.: <b>T24A1004</b>
Customer:

DRW:	Jason	CHKD	Wilson	MATL:	Wilson	TOLERANCE	Mason	DATE	05.02.2023
APPD:	Schumi			FINISH	Jamy		Sheet No.		5 from 5