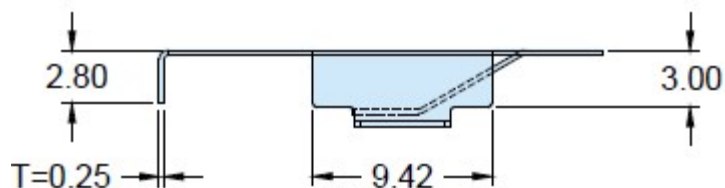


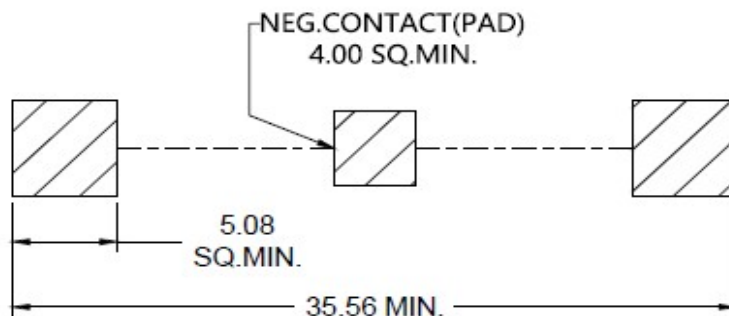
EDCON-COMPONENTS



Technical Drawing (mm)

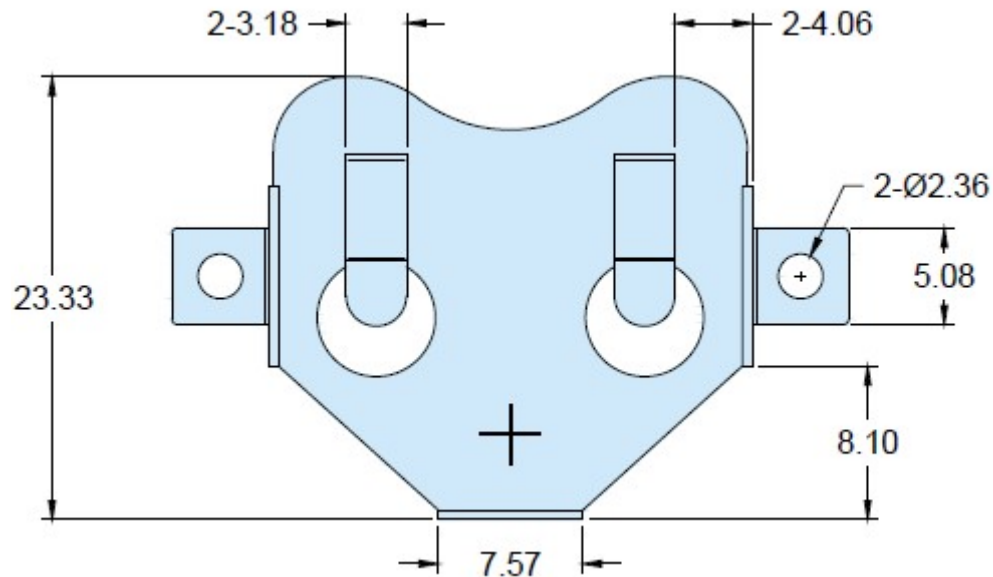


PCB-PAD-Layout (mm)



Technical Specification

Material: Phosphor Bronze
 Finish/Plating: Matte Tin / Ni-Plated
 Contact Resistance: low contact resistance
 Mechanical Durability: >100Cycles
 Operating Temperature: -40°C to +105°C
 Reliable spring tension assures low contact resistance
 Retains battery securely to withstand shock and vibration
 Ideal for high Density Packing
 The most off parts available into SMD and THT
Mating for Battery Type:
CR2430



**Coin Cell Holder for
 Battery Ø 24mm**

Part No.: **B23180**

DRW:	Jason	CHKD	Wilson	MATL:	Wilson	TOLERANCE	Mason	DATE	28.01.2023
APPD:	Schumi			FINISH	Jamy		Sheet No. CCR-2402		1 from 3

Customer:

www.edcon-components.com

email: info@edcon-components.com

EDCON-COMPONENTS



Ordering Informations

Serie	Contact Plating	Spezial Function	Spezial Function	Spezial Function	ROHS	Packing				
B23180	NI	0	0	0	R	BU				

NI = Nickel-Plated	0 = No function	0 = No function	0 = No function	R = ROHS Conform	BU = Bulk-Ware
MN = Matte Tin-Plated					TR = Tape Reel

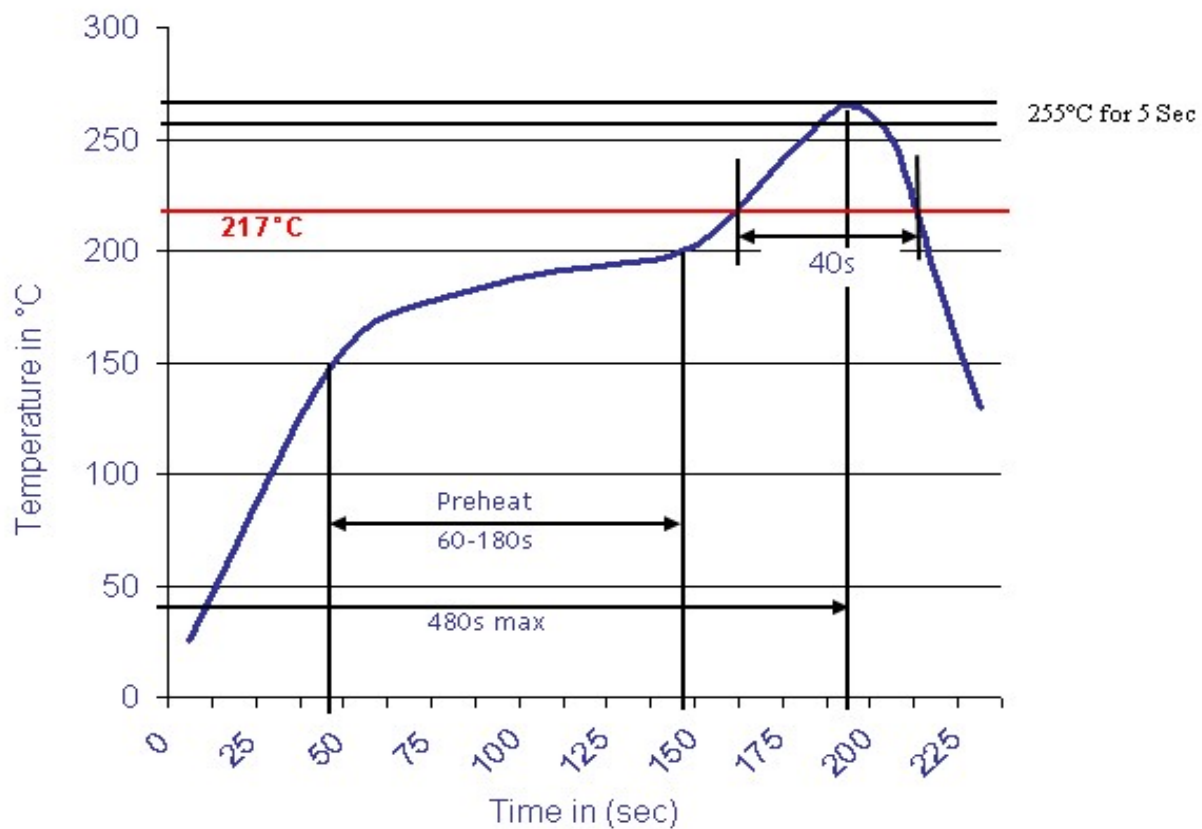
Coin Cell Holder for Battery Ø 24mm	
Part No.:	B23180
Customer:	

DRW:	Jason	CHKD	Wilson	MATL:	Wilson	TOLERANCE	Mason	DATE	28.01.2023
APPD:	Schumi			FINISH	Jamy				2 from 3



Soldering Profile Curve

Classification Reflow Profile (JEDEC J-STD-020C)



Coin Cell Holder for Battery Ø 24mm	
Part No.:	B23180
Customer:	

DRW:	Jason	CHKD:	Wilson	MATL:	Wilson	TOLERANCE:	Mason	DATE:	28.01.2023
APPD:	Schumi	FINISH:	Jamy			Sheet No.:			3 from 3