

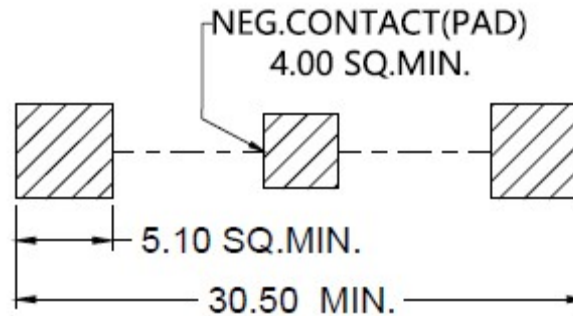
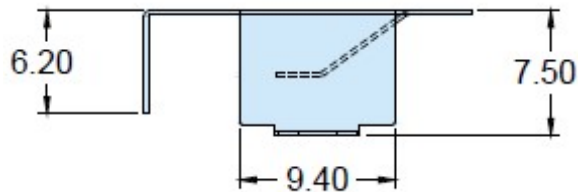
# EDCON-COMPONENTS



## Technical Drawing (mm)

## PCB-PAD-Layout (mm)

## Technical Specification

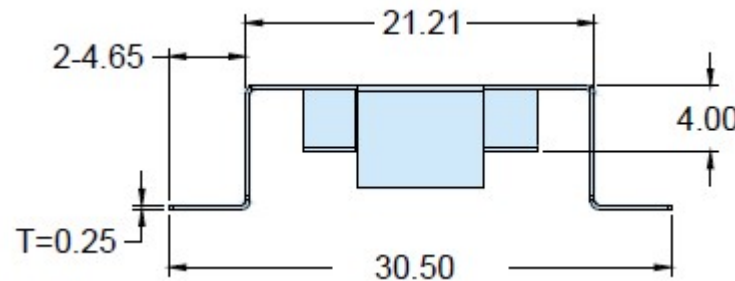
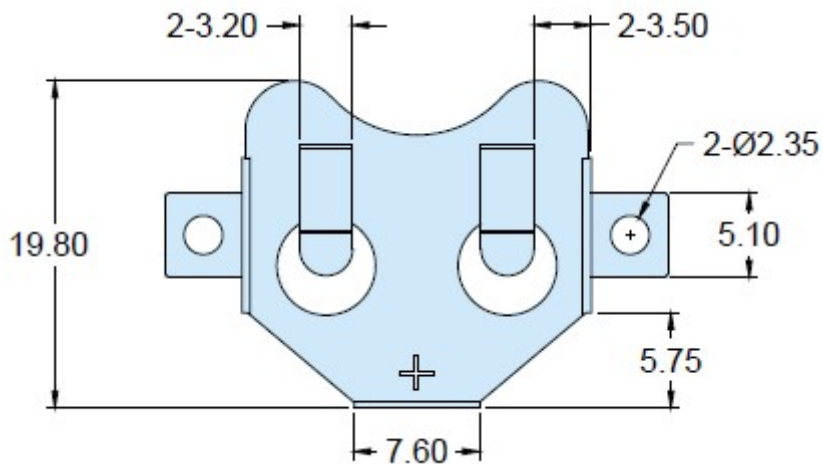


Material: Phosphor Bronze  
 Finish/Plating: Matte Tin / Ni-Plated  
 Contact Resistance: low contact resistance  
 Mechanical Durability: >100Cycles  
 Operating Temperature: -40°C to +105°C

Reliable spring tension assures low contact resistance

Retains battery securely to withstand shock and vibration  
 Ideal for high Density Packing  
 The most off parts available into SMD and THT

**Mating for Battery Type:**  
**2PCS CR2032**



<b>Coin Cell Holder for Battery Ø 20mm</b>	
Part No.:	<b>B23177</b>
Customer:	

DRW:	Jason	CHKD	Wilson	MATL:	Wilson	TOLERANCE	Mason	DATE	28.01.2023
APPD:	Schumi			FINISH	Jamy		Sheet No. CCR-2036		1 from 3

[www.edcon-components.com](http://www.edcon-components.com)

email: [info@edcon-components.com](mailto:info@edcon-components.com)

Copyright by S.Tiede

# EDCON-COMPONENTS



## Ordering Informations

Serie	Contact Plating	Spezial Function	Spezial Function	Spezial Function	ROHS	Packing				
<b>B23177</b>	<b>NI</b>	<b>0</b>	<b>0</b>	<b>0</b>	<b>R</b>	<b>BU</b>				

<b>NI</b> = Nickel-Plated	<b>0</b> = No function	<b>0</b> = No function	<b>0</b> = No function	<b>R</b> = ROHS Conform	<b>BU</b> = Bulk-Ware  <b>TR</b> = Tape Reel
<b>MN</b> = Matte Tin-Plated					

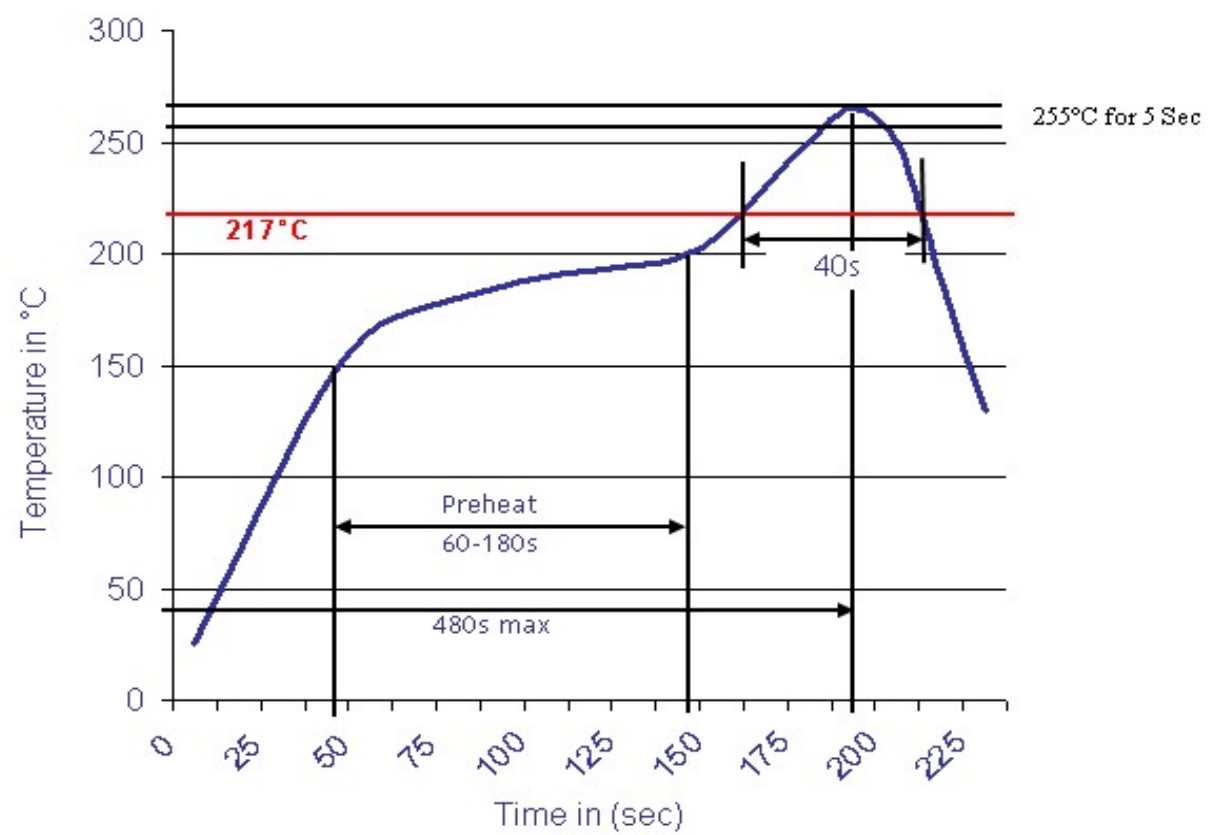
<b>Coin Cell Holder for Battery Ø 20mm</b>	
Part No.:	<b>B23177</b>
Customer:	

DRW:	Jason	CHKD	Wilson	MATL:	Wilson	TOLERANCE	Mason	DATE	28.01.2023
APPD:	Schumi			FINISH	Jamy				2 from 3



Soldering Profile Curve

Classification Reflow Profile (JEDEC J-STD-020C)



<b>Coin Cell Holder for Battery Ø 20mm</b>	
Part No.:	<b>B23177</b>
Customer:	

DRW:	Jason	CHKD:	Wilson	MATL:	Wilson	TOLERANCE:	Mason	DATE:	28.01.2023
APPD:	Schumi			FINISH:	Jamy		Sheet No.		3 from 3