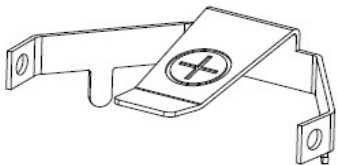


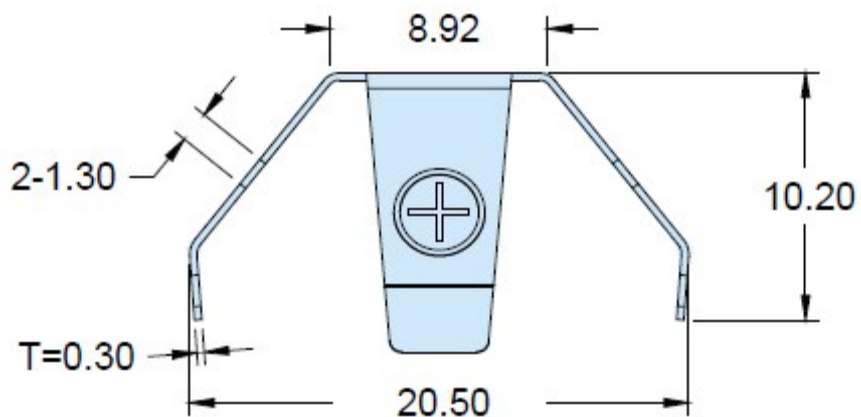
EDCON-COMPONENTS



Technical Drawing (mm)

PCB-PAD-Layout (mm)

Technical Specification



| | |
|------------------------|------------------------|
| Material: | Phosphor Bronze |
| Finish/Plating: | Matte Tin / Ni-Plated |
| Contact Resistance: | low contact resistance |
| Mechanical Durability: | >100Cycles |
| Operating Temperature: | -.40°c to +105°C |

Reliable spring tension assures low contact resistance

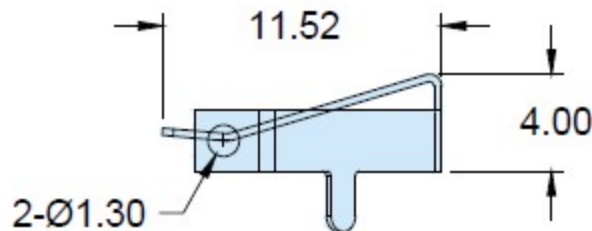
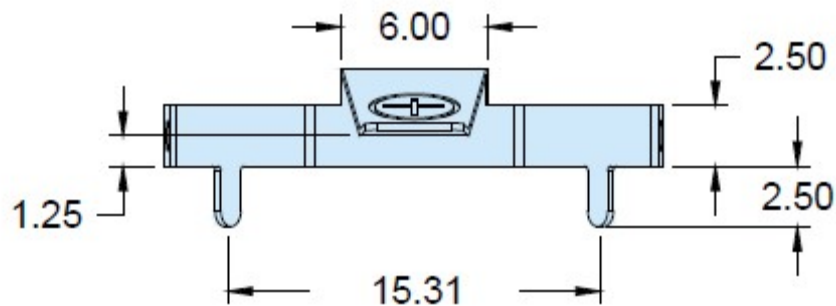
Retains battery securely to withstand shock and vibration

Ideal for high Density Packing

The most off parts available into SMD and THT

Mating for Battery Type:

CR2032



**Coin Cell Holder for
Battery Ø 20mm**

Part No.: **B23175**

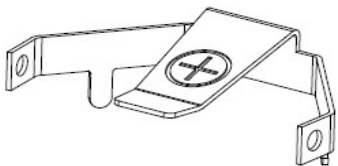
Customer:

| | | | | | | | | | |
|-------|--------|------|--------|--------|--------|-----------|--------------------|------|------------|
| DRW: | Jason | CHKD | Wilson | MATL: | Wilson | TOLERANCE | Mason | DATE | 28.01.2023 |
| APPD: | Schumi | | | FINISH | Jamy | | Sheet No. CCR-2031 | | 1 from 3 |

www.edcon-components.com

email: info@edcon-components.com

EDCON-COMPONENTS



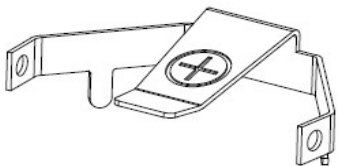
Ordering Informations

| Serie | Contact Plating | Spezial Function | Spezial Function | Spezial Function | ROHS | Packing | | | | |
|---------------|-----------------|------------------|------------------|------------------|----------|-----------|--|--|--|--|
| B23175 | NI | 0 | 0 | 0 | R | BU | | | | |

| | | | | | |
|------------------------------|------------------------|------------------------|------------------------|-------------------------|-----------------------|
| NI = Nickel-Plated | 0 = No function | 0 = No function | 0 = No function | R = ROHS Conform | BU = Bulk-Ware |
| MN = Matte Tin-Plated | | | | | |
| | | | | | |

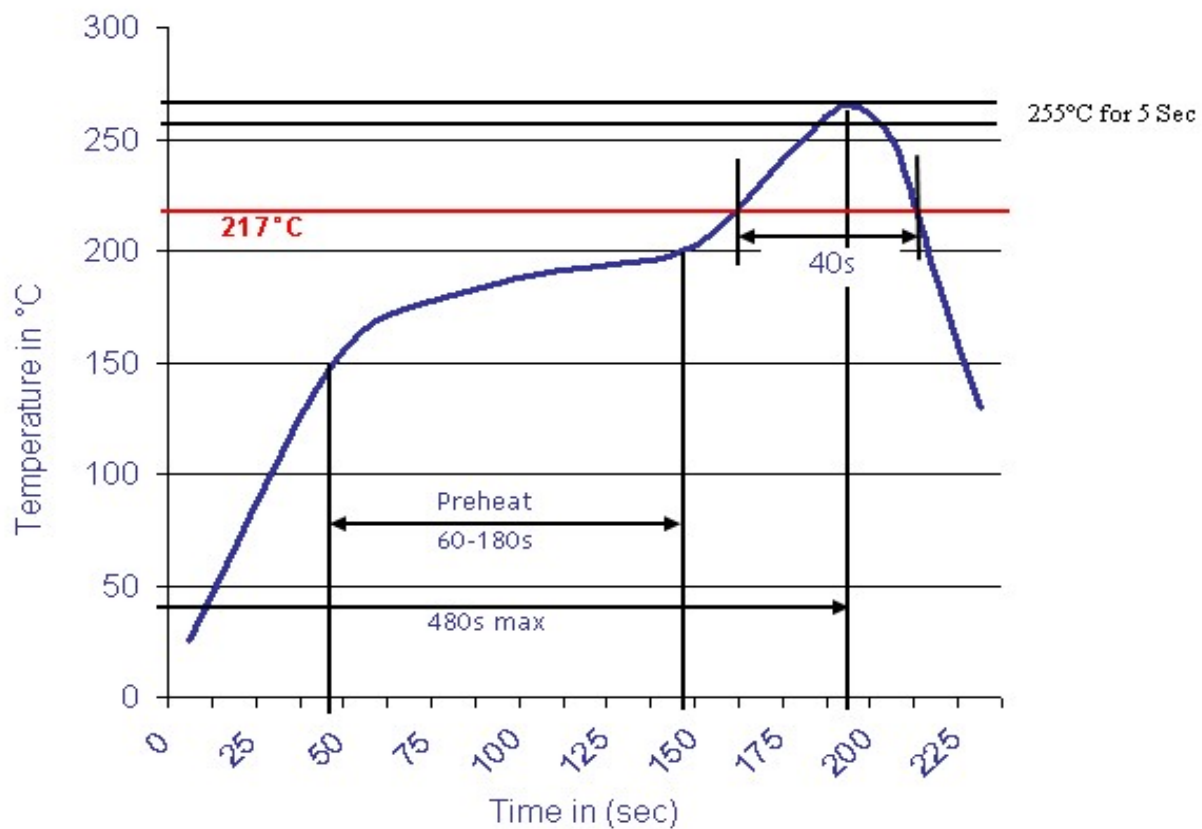
| | |
|--|---------------|
| Coin Cell Holder for Battery Ø 20mm | |
| Part No.: | B23175 |
| Customer: | |

| | | | | | | | | | |
|-------|--------|------|--------|--------|--------|-----------|-------|------|------------|
| DRW: | Jason | CHKD | Wilson | MATL: | Wilson | TOLERANCE | Mason | DATE | 28.01.2023 |
| APPD: | Schumi | | | FINISH | Jamy | | | | 2 from 3 |



Soldering Profile Curve

Classification Reflow Profile (JEDEC J-STD-020C)



| | |
|--|---------------|
| Coin Cell Holder for Battery Ø 20mm | |
| Part No.: | B23175 |
| Customer: | |

| | | | | | | | | | |
|-------|--------|---------|--------|-------|--------|------------|-------|-------|------------|
| DRW: | Jason | CHKD: | Wilson | MATL: | Wilson | TOLERANCE: | Mason | DATE: | 28.01.2023 |
| APPD: | Schumi | FINISH: | Jamy | | | Sheet No.: | | | 3 from 3 |