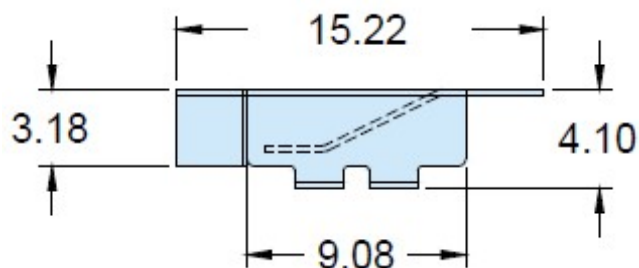


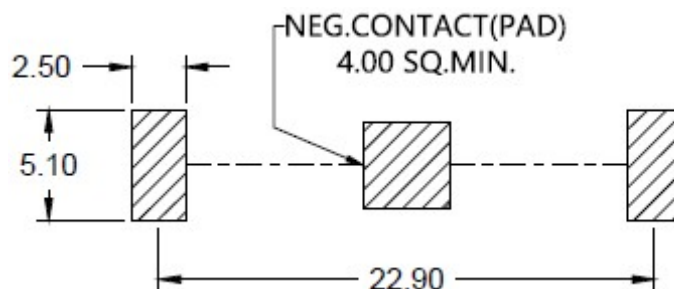
EDCON-COMPONENTS



Technical Drawing (mm)

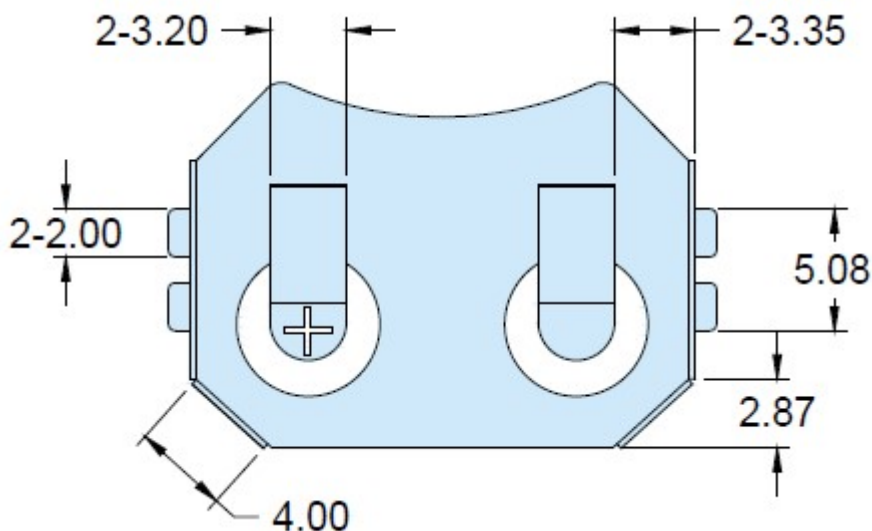


PCB-PAD-Layout (mm)



Technical Specification

Material:	Phosphor Bronze
Finish/Plating:	Matte Tin / Ni-Plated
Contact Resistance:	low contact resistance
Mechanical Durability:	>100Cycles
Operating Temperature:	-.40°c to +105°C
Reliable spring tension assures low contact resistance	
Retains battery securely to withstand shock and vibration	
Ideal for high Density Packing	
The most off parts available into SMD and THT	
Mating for Battery Type:	
CR2025, CR2032	



Coin Cell Holder for Battery Ø 20mm

Part No.: **B23167**

Customer:

DRW:	Jason	CHKD	Wilson	MATL:	Wilson	TOLERANCE	Mason	DATE	28.01.2023
APPD:	Schumi			FINISH	Jamy		Sheet No. CCR-2010		1 from 3

www.edcon-components.com

email: info@edcon-components.com

EDCON-COMPONENTS



Ordering Informations

Serie	Contact Plating	Spezial Function	Spezial Function	Spezial Function	ROHS	Packing				
B23167	NI	0	0	0	R	BU				

NI = Nickel-Plated	0 = No function	0 = No function	0 = No function	R = ROHS Conform	BU = Bulk-Ware
MN = Matte Tin-Plated					TR = Tape Reel

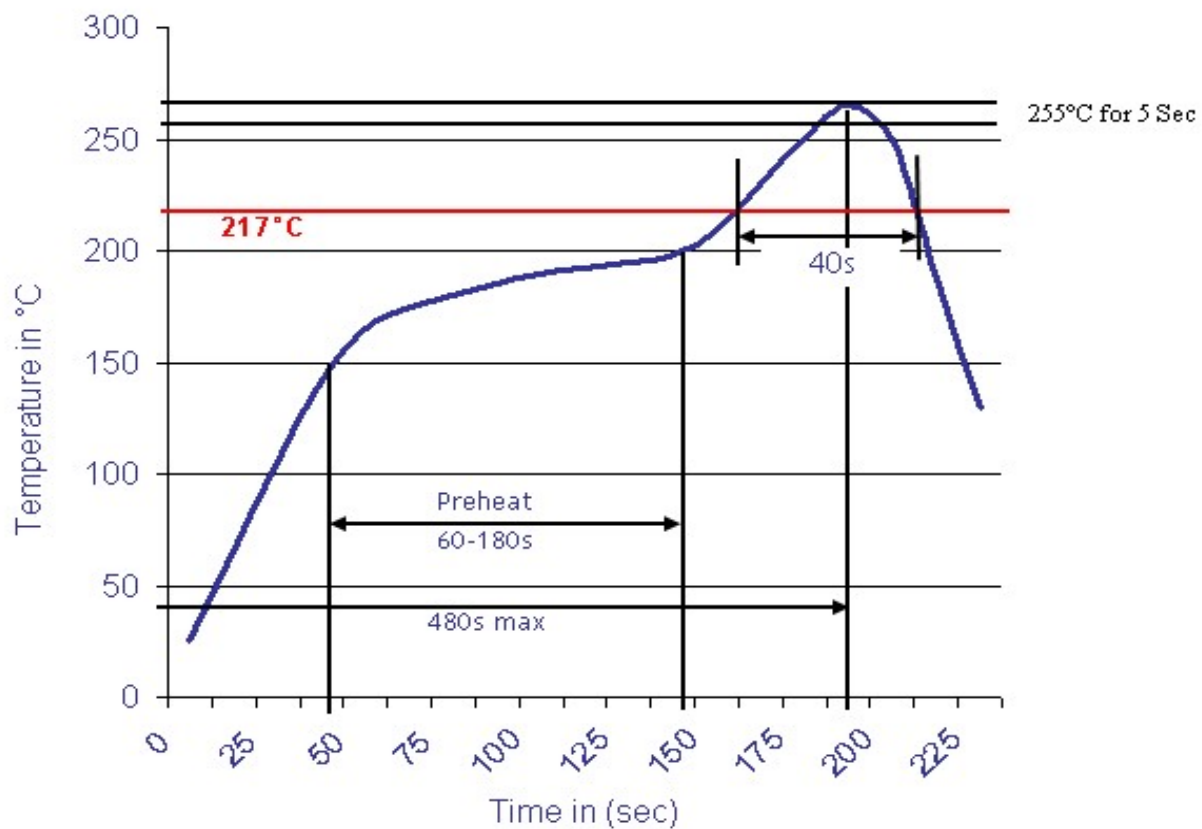
Coin Cell Holder for Battery Ø 20mm
Part No.: B23167
Customer:

DRW:	Jason	CHKD	Wilson	MATL:	Wilson	TOLERANCE	Mason	DATE	28.01.2023
APPD:	Schumi			FINISH	Jamy				2 from 3



Soldering Profile Curve

Classification Reflow Profile (JEDEC J-STD-020C)



Coin Cell Holder for Battery Ø 20mm	
Part No.:	B23167
Customer:	

DRW:	Jason	CHKD:	Wilson	MATL:	Wilson	TOLERANCE:	Mason	DATE:	28.01.2023
APPD:	Schumi			FINISH:	Jamy		Sheet No.		3 from 3