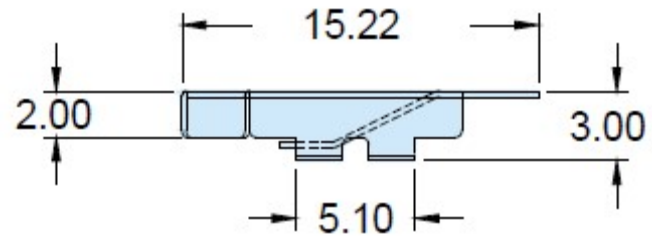


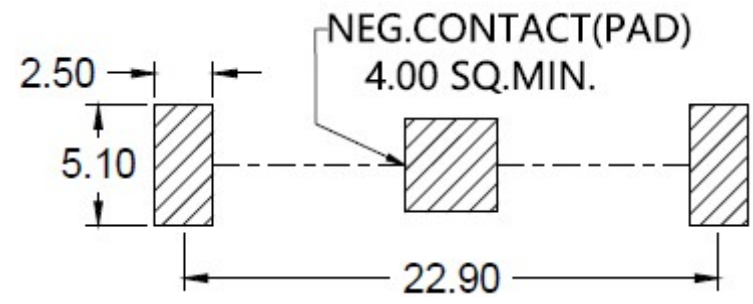
# EDCON-COMPONENTS



Technical Drawing (mm)

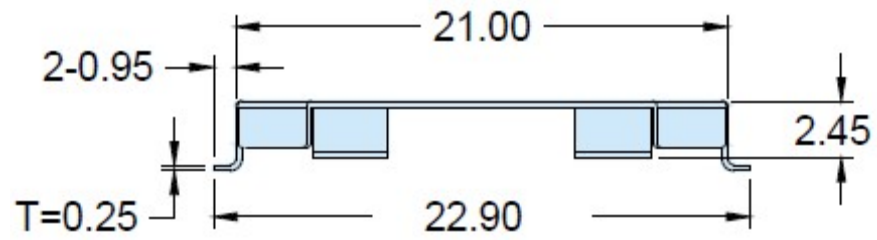
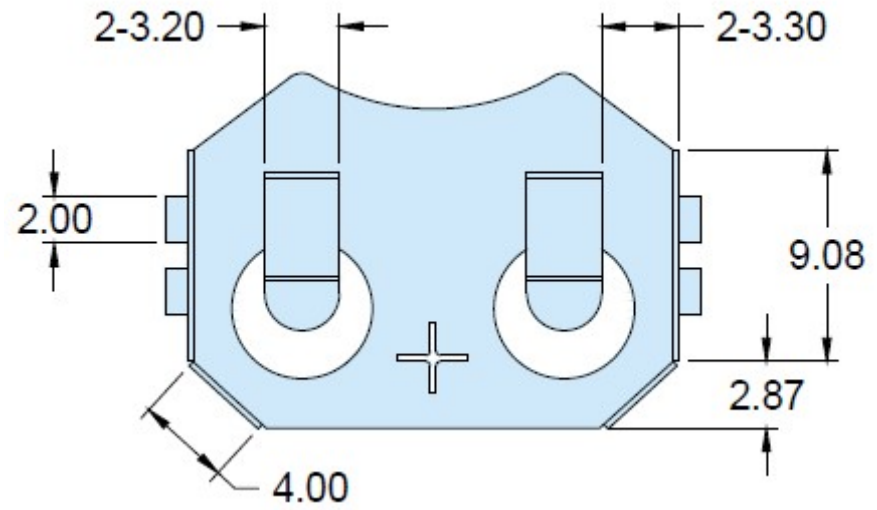


PCB-PAD-Layout (mm)



Technical Specification

Material:	Phosphor Bronze
Finish/Plating:	Matte Tin / Ni-Plated
Contact Resistance:	low contact resistance
Mechanical Durability:	>100Cycles
Operating Temperature:	-.40°c to +105°C
Reliable spring tension assures low contact resistance	
Retains battery securely to withstand shock and vibration	
Ideal for high Density Packing	
The most off parts available into SMD and THT	
<b>Mating for Battery Type:</b>	
<b>CR2020,CR2025</b>	



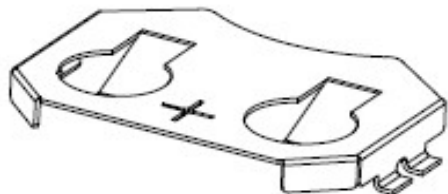
<b>Coin Cell Holder for Battery Ø 20mm</b>	
Part No.:	<b>B23160</b>
Customer:	

DRWV:	Jason	CHKD:	Wilson	MATL:	Wilson	TOLERANCE:	Mason	DATE:	28.01.2023
APPD:	Schumi	FINISH:	Jamy				Sheet No. CCR-2016		1 from 3

[www.edcon-components.com](http://www.edcon-components.com)

email: [info@edcon-components.com](mailto:info@edcon-components.com)

# EDCON-COMPONENTS



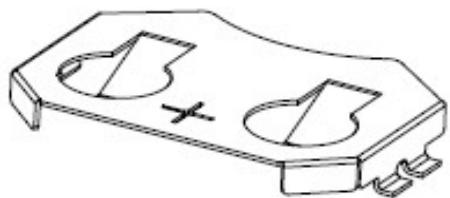
## Ordering Informations

Serie	Contact Plating	Spezial Function	Spezial Function	Spezial Function	ROHS	Packing				
<b>B23160</b>	<b>NI</b>	<b>0</b>	<b>0</b>	<b>0</b>	<b>R</b>	<b>BU</b>				

<b>NI</b> = Nickel-Plated	<b>0</b> = No function	<b>0</b> = No function	<b>0</b> = No function	<b>R</b> = ROHS Conform	<b>BU</b> = Bulk-Ware  <b>TR</b> = Tape Reel
<b>MN</b> = Matte Tin-Plated					

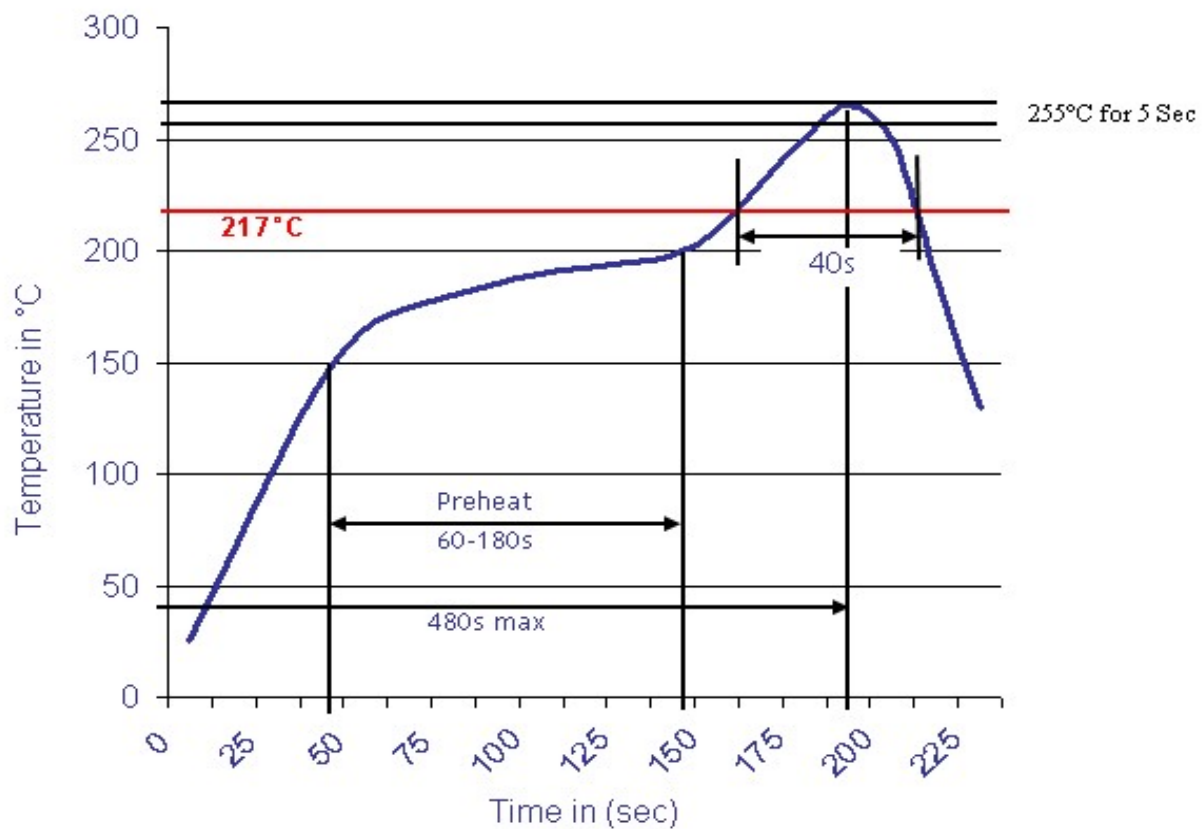
<b>Coin Cell Holder for Battery Ø 20mm</b>	
Part No.:	<b>B23160</b>
Customer:	

DRW:	Jason	CHKD	Wilson	MATL:	Wilson	TOLERANCE	Mason	DATE	28.01.2023
APPD:	Schumi			FINISH	Jamy				2 from 3



Soldering Profile Curve

Classification Reflow Profile (JEDEC J-STD-020C)



<b>Coin Cell Holder for Battery Ø 20mm</b>	
Part No.:	<b>B23160</b>
Customer:	

DRW:	Jason	CHKD:	Wilson	MATL:	Wilson	TOLERANCE:	Mason	DATE:	28.01.2023
APPD:	Schumi	FINISH:	Jamy			Sheet No.:			3 from 3