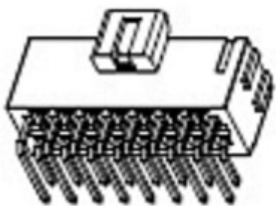


EDCON-COMPONENTS

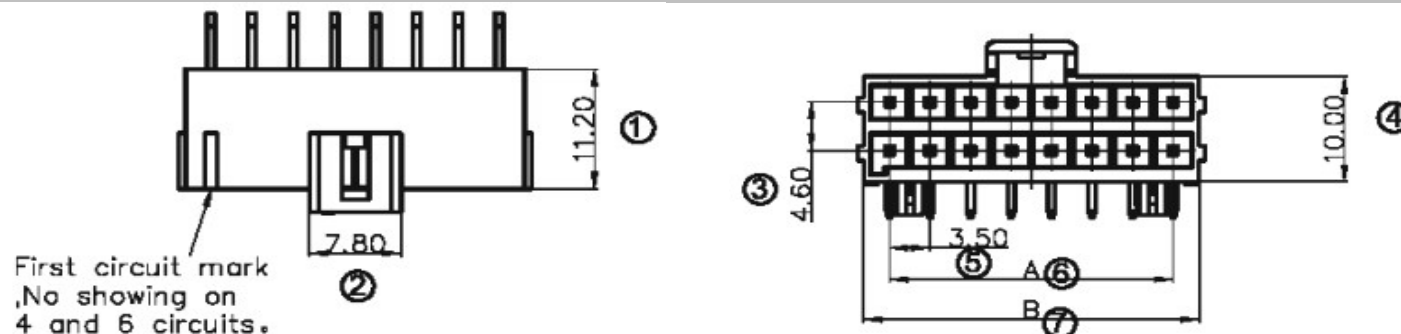


Technical Description

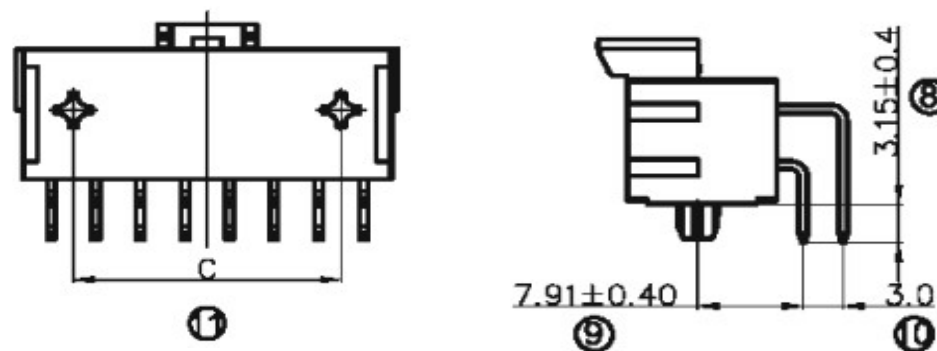
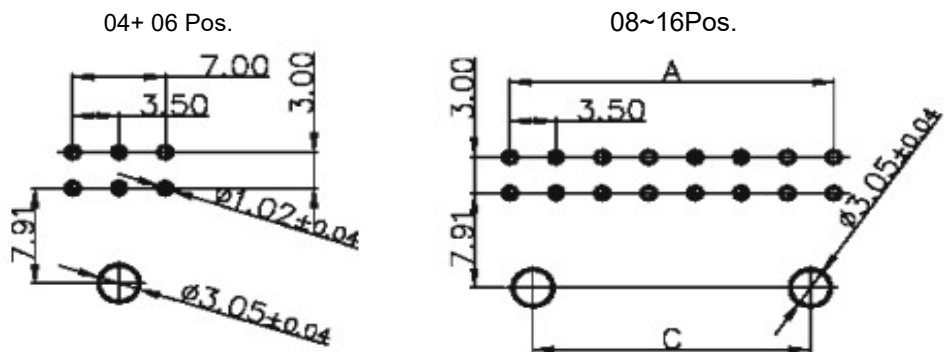
Current Rating: 14A AC/Dc f. 16AWG
 Contact Resistance: 15mΩ max.
 Withstanding Voltage: 1800VAC/ DC
 Insulation Resistance: 1000MΩ Min
 Operating Temperature: -40°C to + 105°C
 Contact Material: Brass
 Contact Plating: Matte SN over Ni
 Voltage Rating: 400V AC/DC

Insulator Material: LCP UL94V-0
 A Key Black LCP UL94V-0
 B Key Nature LCP UL94V-0

Drawing



PCB Layout (mm)



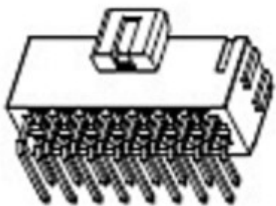
Wire to Board Connector (Wafer) Right-Angle Pin with Locating Peg					
Part No.:					T68H012
Customer:					

DRW:	Jason	CHKD	Wilson	MATL:	Wilson	TOLERANCE	Mason	DATE	06.05.2024
APPD:	Schumi			FINISH	Jamy			Sheet No.	1 from 4

www.edcon-components.com

email: info@edcon-components.com

EDCON-COMPONENTS



Ordering Informations

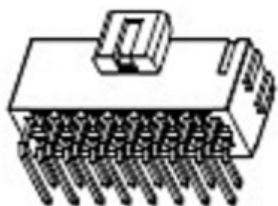
Serie	No. Of Position	Contact Plating	Contact Material	Color of Body	Key Code	Special Function	ROHS	Packing		
-------	-----------------	-----------------	------------------	---------------	----------	------------------	------	---------	--	--

T68H012	-	04	TN	BR	BK	A	N	R	BU	
----------------	---	-----------	-----------	-----------	-----------	----------	----------	----------	-----------	--

04 = 2x2Pos.	TN = Tin Plated	BR = Brass		A = Key Code A Black	N = No Function	R = ROHS Conform	BU = Bulk-Ware
xx = 2x2 ~ 2x8Pos.			BK = Black	B = Key Code B Natural		N = NON ROHS Conform	TU = Tube Packing
	GD = Gold 1,5µ						
	GE = Gold 3,0µ						
							IV = Individual Packing
			NA = Natural				

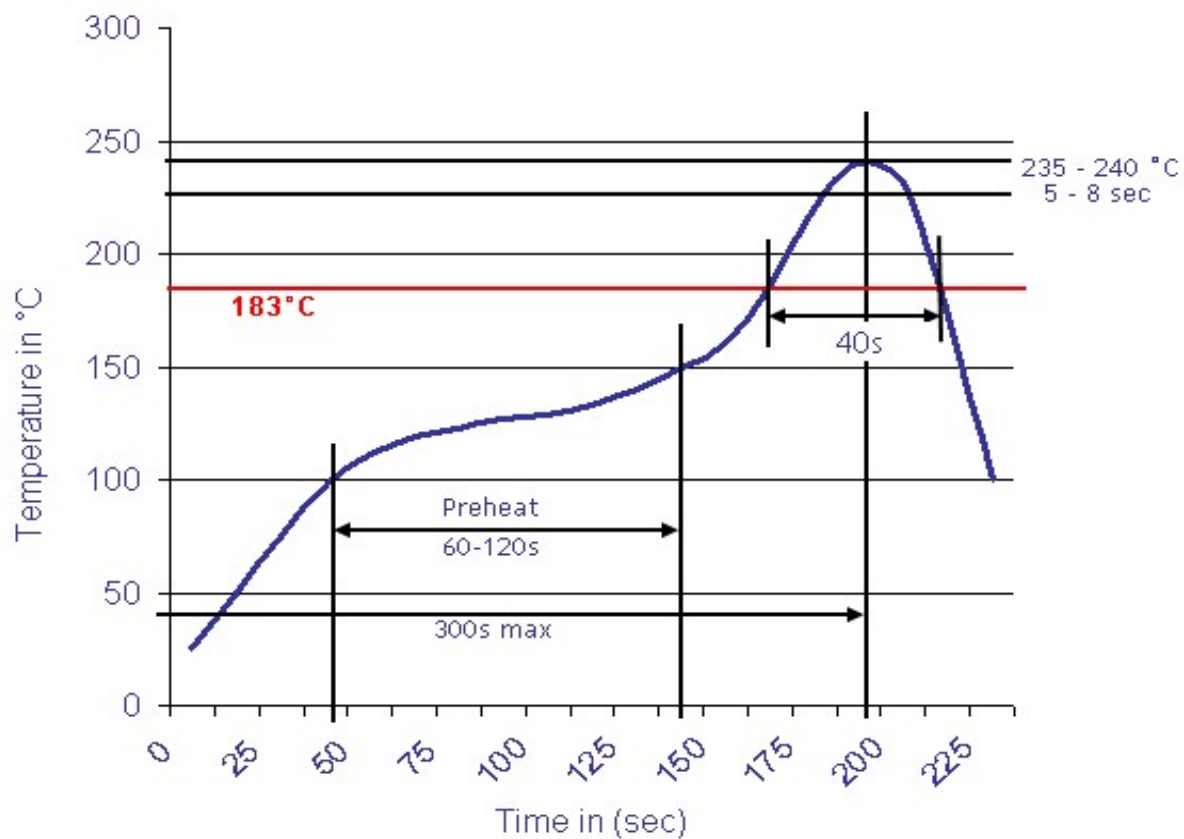
Wire to Board Connector (Wafer) Right-Angle Pin with Locating Peg
Part No.: T68H012
Customer:

DRW:	Jason	CHKD	Wilson	MATL:	Wilson	TOLERANCE	Mason	DATE	06.05.2024
APPD:	Schumi			FINISH	Jamy		Sheet No.		3 from 4



Soldering Profile Curve

Classification Reflow Profile (JEDEC J-STD-020C)



Wire to Board Connector (Wafer) Right-Angle Pin with Locating Peg	
Part No.:	T68H012
Customer:	

DRW:	Jason	CHKD	Wilson	MATL:	Wilson	TOLERANCE	Mason	DATE	06.05.2024
APPD:	Schumi			FINISH	Jamy		Sheet No.	4 from 4	

