



# DATA SHEET

## SMD 7P SATA-Connector SIDE-Entry (Male)

### Serie: T12020

<b>SMD 7P SATA-Connector SIDE-Entry (Male)</b>	
Serie No.:	<b>T12020</b>
Customer:	

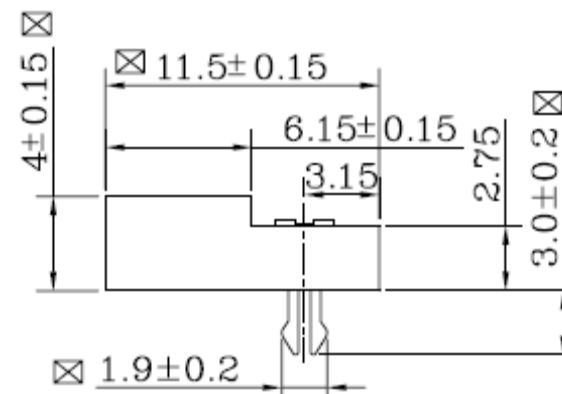
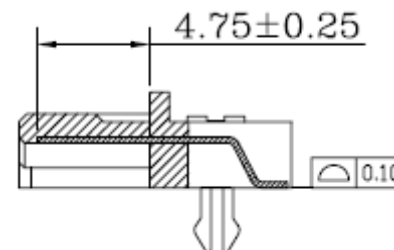
DRW:	Jason	CHKD	Wilson	MATL:	Wilson	TOLERANCE	Mason	DATE	18.03.2018
APPD:	Schumi			FINISH	Jamy		Sheet No.		1 from 5



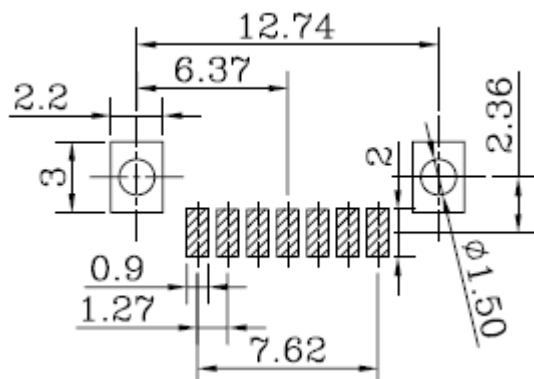
## Technical Description

Material Housing:	LCP (UL94V-0)
Colour of Body:	Black
Contact Material:	Phosphor Bronze 0,25mm C5191
Board Lock Material:	Brass C2680,
Contact Plating:	Gold Flash on Contact Area Tin plating on Soldering Area over Nickel
Lifetime:	500cycles
Current Rating:	1,5A
Voltage Rating:	40VAC
Contact Resistance:	30mΩ max.
Withstanding Voltage:	500VAC
Resistance:	1000MΩ min.
Temperature Range:	-20°C to + 85°C

## Technical Drawing (mm)



## PCB Layout (mm)



**SMD 7P SATA-Connector SIDE-Entry (Male)**

Part No.: **T12020**

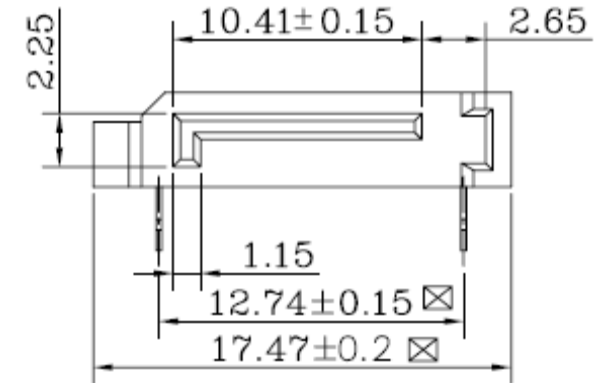
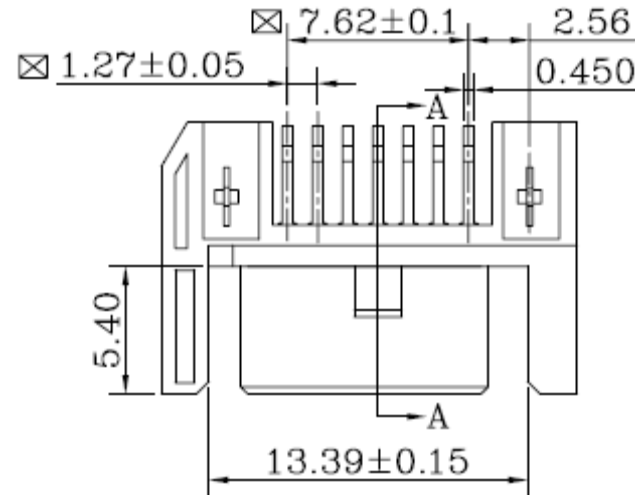
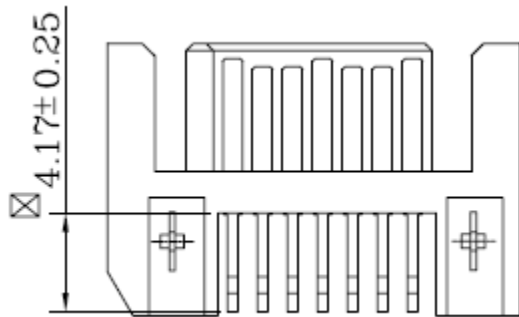
Customer:

DRW:	Jason	CHKD	Wilson	MATL:	Wilson	TOLERANCE	Mason	DATE	18.03.2018
APPD:	Schumi			FINISH	Jamy		Sheet No.		2 from 5

# EDCON-COMPONENTS



Technical Drawing (mm)



**SMD 7P SATA-Connector SIDE-Entry (Male)**

Part No.: **T12020**

Customer:

DRW:	Jason	CHKD	Wilson	MATL:	Wilson	TOLERANCE	Mason	DATE	18.03.2018
APPD:	Schumi			FINISH	Jamy		Sheet No.		3 from 5

# EDCON-COMPONENTS



## Ordering Informations

Customer	Connector No of Pos 1	Connector No of Pos 2	Contact Plating	Body Colour	Body Material	Special function	ROHS	Packing Code		
----------	-----------------------	-----------------------	-----------------	-------------	---------------	------------------	------	--------------	--	--

<b>T12020</b>	<b>7</b>	<b>00</b>	<b>G0</b>	<b>BK</b>	<b>LC</b>	<b>N</b>	<b>R</b>	<b>TY</b>		
---------------	----------	-----------	-----------	-----------	-----------	----------	----------	-----------	--	--

<b>7=</b> 7Pos. of Contact	<b>00=</b> 00Pos. of Contact	<b>G0=</b> Gold Flash	<b>BK=</b> Black	<b>LC=</b> LCP	<b>N=</b> No special function	<b>R=</b> ROHS Conform	<b>TY=</b> Tray Package
		<b>GA=</b> 5µ Gold Flash				<b>N=</b> NON ROHS Conform	<b>TR=</b> Tape/Reel Package
		<b>GB=</b> 10µ Gold Flash					<b>TC=</b> Tape/Reel w. Pic and Place CAP Package TOP-SIDE
							<b>IV=</b> Individual Package

**SMD 7P SATA-Connector SIDE-Entry (Male)**

Part No.: **T12020**

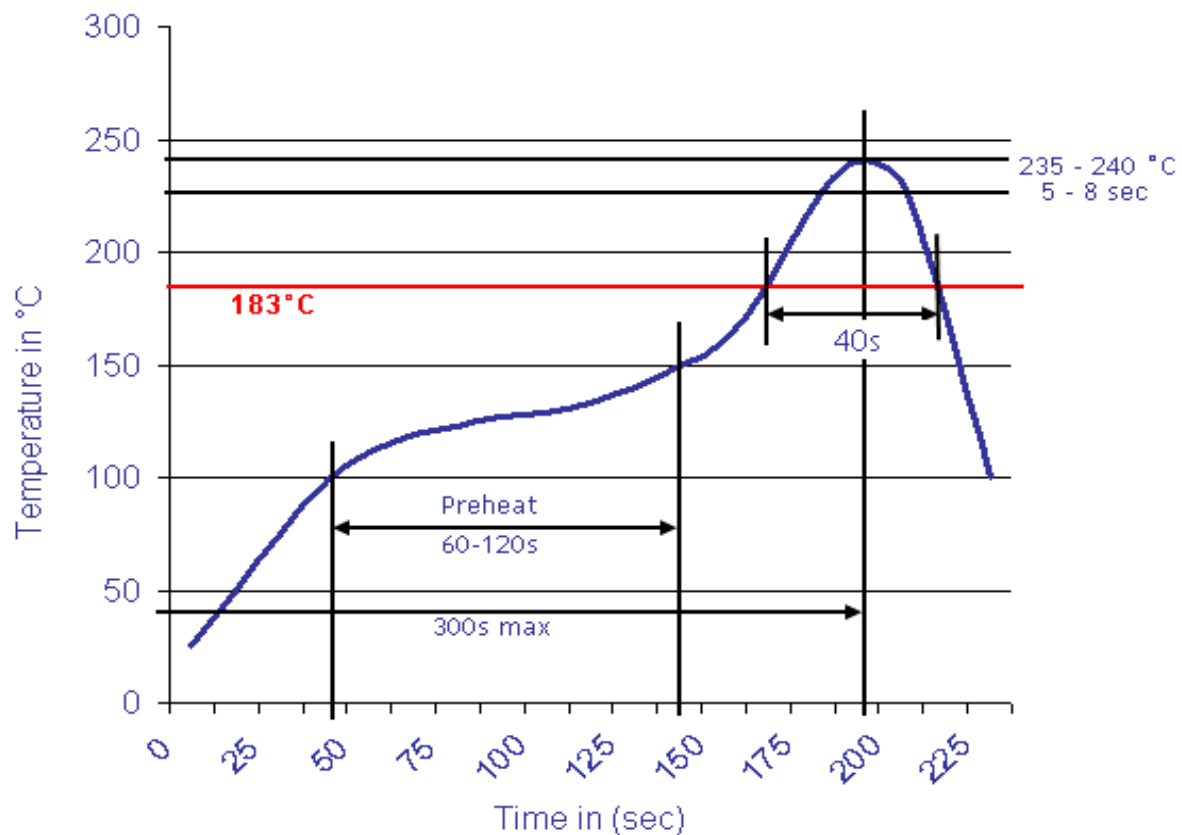
DRW:	Jason	CHKD	Wilson	MATL:	Wilson	TOLERANCE	Mason	DATE	18.03.2018
APPD:	Schumi			FINISH	Jamy		Sheet No.		4 from 5

Customer:



Soldering Profile Curve

Classification Reflow Profile (JEDEC J-STD-020C)



<b>SMD 7P SATA-Connector SIDE-Entry (Male)</b>	
Part No.:	<b>T12020</b>
Customer:	

DRW:	Jason	CHKD	Wilson	MATL:	Wilson	TOLERANCE	Mason	DATE	18.03.2018
APPD:	Schumi			FINISH	Jamy		Sheet No.		5 from 5